

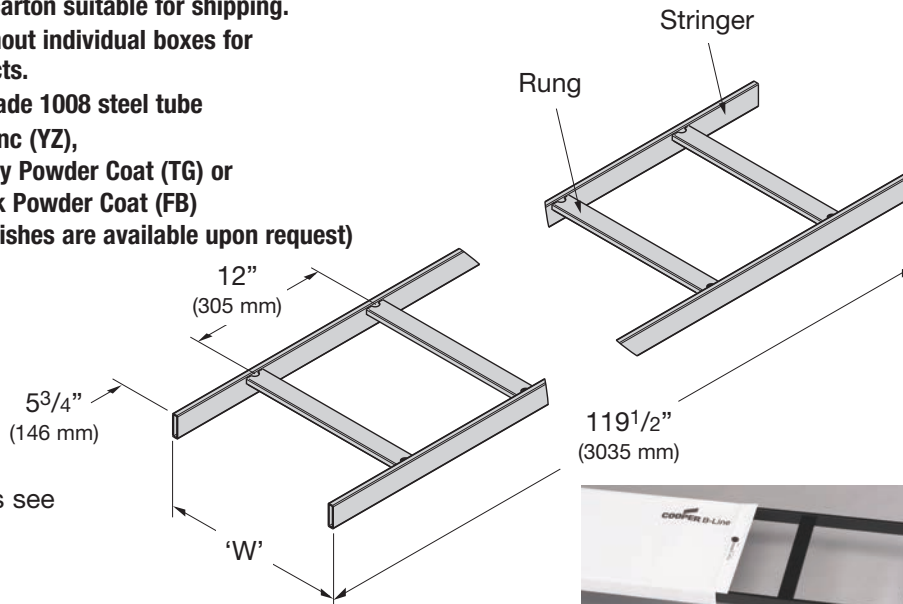
Cable Runways & Accessories

Tubular Stringer Style - 1 1/2" (Boxed)

- Ladder type cable runway for communication cabling pathways.
- Mounts to ceilings, walls, floors, relay racks, and electronic enclosures.
- 3/8" (9.5mm) x 1 1/2" (38.1mm) steel tube welded rungs spaced 12" (305mm) on center.
- All finishes are UL Classified as suitable as an equipment grounding conductor (File number E60548). Requires the use of bonding jumpers on painted finishes to maintain classification.
- Individually boxed in a carton suitable for shipping.
- Available palletized without individual boxes for larger installation projects.
- Material: ASTM A513 Grade 1008 steel tube
- Finish ___: Yellow Zinc (YZ),
Telco Gray Powder Coat (TG) or
Flat Black Powder Coat (FB)
(Other finishes are available upon request)



Note: For runway pans see pages 156 & 157



CABLE RUNWAYS & ACCESSORIES

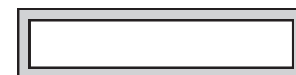
Series Number	Stringer Dimensions	Span		Recommended Load		Max. Load @ 5/8" Deflection		Deflection Multiplier
		Ft.	(m)	Lbs./Ft.	(N/m)	Lbs./Ft.	(N/m)	
SB17U		4	(1.22)	149	(2174)	347	(5062)	0.0018
		5	(1.52)	95	(1386)	145	(2115)	0.0043
		6	(1.83)	66	(963)	70	(1021)	0.0089

UL Cross Sectional Area
0.40 in ² (2.58 cm ²)
Design Factors for (1) Rail
Area = .210 in ² (1.35 cm ²)
Sx = .066 in ³ (1.08 cm ³)
Ix = .050 in ⁴ (2.08 cm ⁴)

SB17U Tubular - 1 1/2" (38mm) Stringers

	Part Number	'W' Width		Weight	
		In.	(mm)	Lbs.	(kg)
	SB17U06B__	6"	(152)	18.0	(8.2)
	SB17U09B__	9"	(228)	21.0	(9.5)
✓	SB17U12B__	12"	(305)	23.0	(10.4)
	SB17U15B__	15"	(381)	25.0	(11.3)
✓	SB17U18B__	18"	(457)	28.0	(12.7)
✓	SB17U24B__	24"	(609)	32.0	(14.5)
	SB17U30B__	30"	(762)	37.0	(16.8)
	SB17U36B__	36"	(914)	41.0	(18.6)

Rung Profile



3/8" x 1 1/2"
.060 thick

✓ FB & TG are popular items