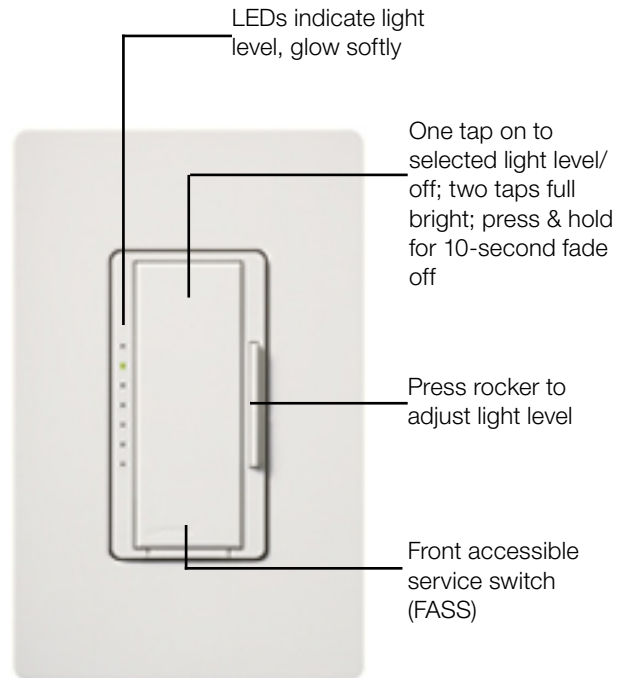


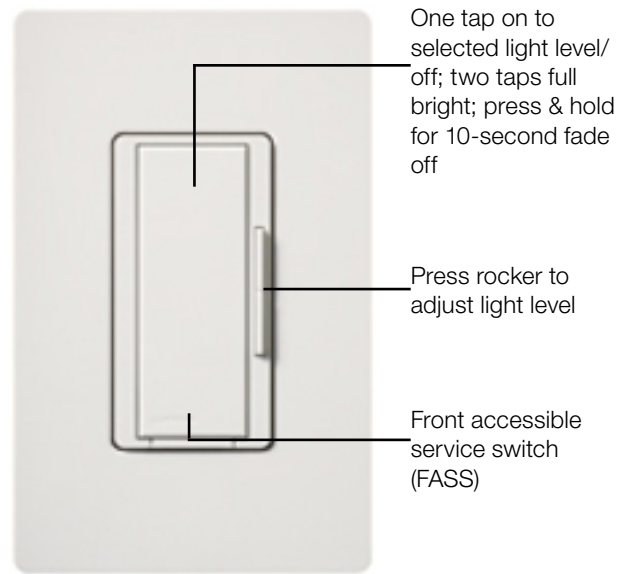
Maestro Controls

Features

- High-tech dimmers with microprocessor technology for standard designer wallplate openings.
- Features a clean, flush, stylish appearance.
- Two taps on the switch brings lights on to full brightness; press and hold the switch to slowly fade lights to off over 10 seconds.
- LEDs indicate light level and glow softly as a locator light in the dark.
- Multi-location dimming from up to 10 locations.
- Uses standard single-pole and 3-way wiring for easy installation in any home.
- Press rocker to turn lights on if lights are currently off.



Maestro Dimmer



Accessory Dimmer

Job Name:	Model Numbers:
Job Number:	

Specifications

Standard Features

- Precise color matching
- Front accessible service switch (FASS) to disconnect load power

Standards

- UL listed
- CSA
- NOM

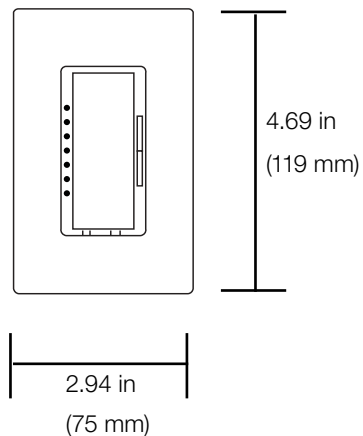
Power / Performance

- Power-failure memory
- Frequency Compensation
- Electrostatic discharge tested
- RFI Suppression

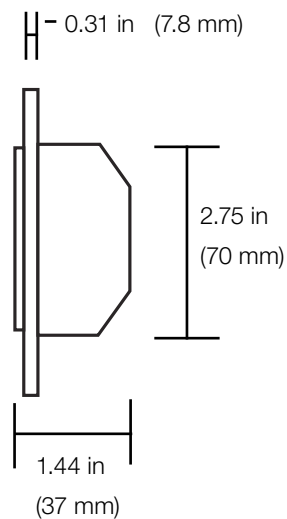
<p>Job Name:</p> <p>Job Number:</p>	<p>Model Numbers:</p>
--	-----------------------

Dimensions

Front



Profile



Job Name:	Model Numbers:
Job Number:	

Dimmers

Incandescent

Preset Dimmers		
Single-pole/ Multi-Location	1000 W	MSC-1000M- **

Products above: For multi-location dimming, use one Maestro Dimmer with up to nine Accessory Dimmers, MSC-AD-. Not for use with mechanical 3-way or 4-way switches. Minimum load on dimmer is 40 W. Derating required if ganged, see page 5.

Electronic Low-Voltage

Preset Dimmers		
Single-pole/ Multi-Location	600 W	MSCELV-600M- **

Products above: For multi-location dimming, use one Maestro Dimmer with up to nine Accessory Dimmers, MSC-AD-. Requires neutral wire connection. Not for use with mechanical 3-way or 4-way switches. Minimum load on dimmer is 5 W. Derating required if ganged, see page 5.

Magnetic Low-Voltage

Preset Dimmers		
Single-pole/ Multi-Location	600 VA (450 W) ¹	MSCLV-600M ^{**}
Single-pole/ Multi-Location	1000 VA (800 W) ¹	MSCLV-1000M ^{**}

Products above: For multi-location dimming, use one Maestro Dimmer with up to nine Accessory Dimmers, MSC-AD-. Not for use with mechanical 3-way or 4-way switches. Minimum load on dimmer is 40 W. Derating required if ganged, see page 5.

3-Wire LED/Fluorescent Ballast

For control of 3-Wire LED or fluorescent ballast, use a MRF2-FAN-DV.

Accessory Dimmers

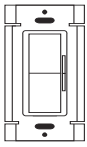
Provide Multi-Location Dimming from up to Nine Additional Locations. Accessory Dimmer: MSC-AD-.

For multi-location dimming, use up to nine Accessory Dimmers with only one of the following Maestro multi-location dimmers: MSC-600M-, MSC-1000M-, MSCELV-600M-, MSCLV-600M-, or MSCLV-1000M-. No derating required if ganged. Maximum traveler wiring run for multi-location applications is 250 ft (76.2 m).

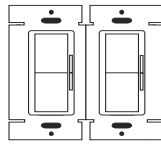
****** For color offerings, please refer to page 5 of this document.

Job Name:	Model Numbers:
Job Number:	

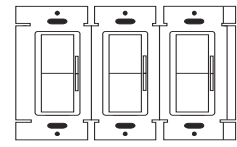
Derating/Maximum Capacity



No side sections removed
(Full Capacity)



One side section removed
(End Units)



Two side sections removed
(End Units)

Incandescent Dimmers

600 W	500 W	400 W
1000 W	800 W	650 W

Electronic Low-Voltage²

600 W	500 W	400 W
-------	-------	-------

Magnetic Low-Voltage¹

600 VA (450 W ³)	500 VA (375 W ³)	400 VA (300 W ³)
------------------------------	------------------------------	------------------------------

1000 VA (800 W ³)	800 VA (650 W ³)	650 VA (500 W ³)
-------------------------------	------------------------------	------------------------------

¹ Requires 40 W minimum load.

² Requires 5 W minimum load.

³ Actual lamp wattage.

Standard Colors/Finishes

Add color/finish suffix to model number to order. Example: MSC-600M-**SW**

- SW Snow
- TP Taupe
- HT Hot
- MN Midnight
- BI Biscuit
- PD Palladiom

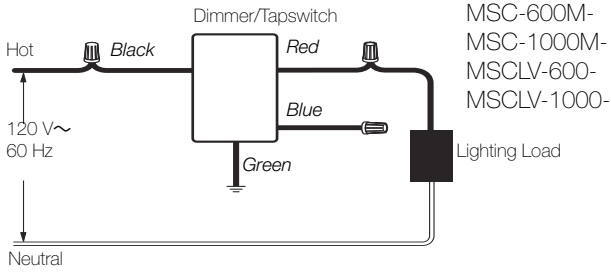
For the latest color offerings, please see our website: <http://www.lutron.com/satincolors>

Job Name:	Model Numbers:
Job Number:	

Wiring Diagrams

Wiring Diagram 1 Single-Location Wiring

Model #



MSC-600M-
MSC-1000M-
MSCLV-600-
MSCLV-1000-



Ground

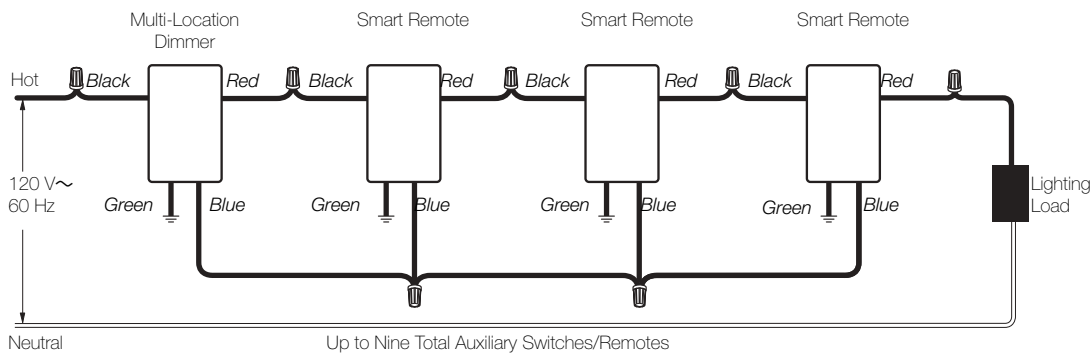


Wire Connectors

Wiring Diagram 2 Multi-Location Wiring

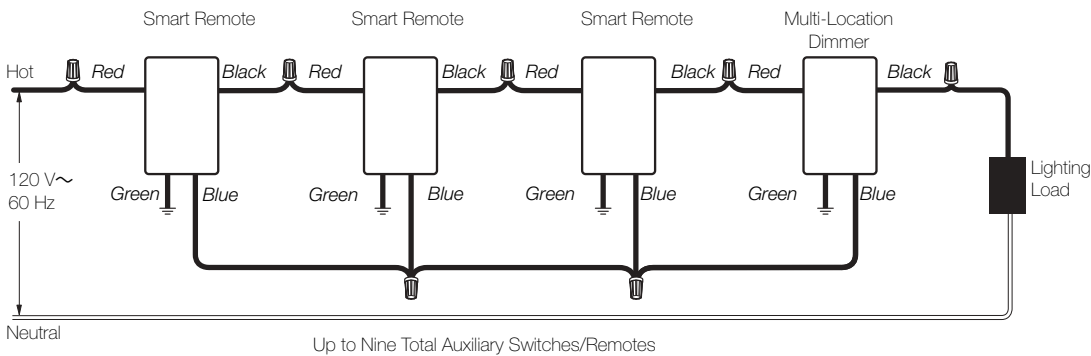
Model #

Control Line Side



MSC-AD-
MSC-600M-
MSC-1000M-
MSCLV-600-
MSCLV-1000-

Control Load Side



Ground



Wire Connectors

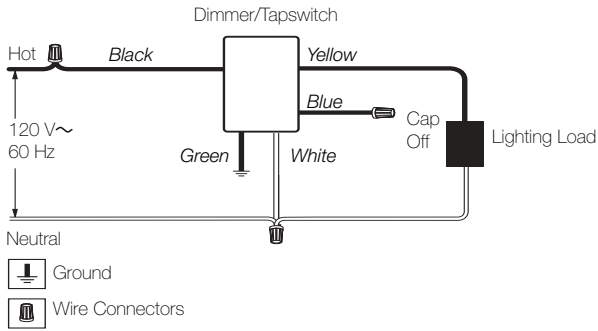
Job Name:	Model Numbers:
Job Number:	

Wiring Diagrams

Wiring Diagram 3

Multi-Location Wiring with Neutral
(Used for Single-Location Wiring)

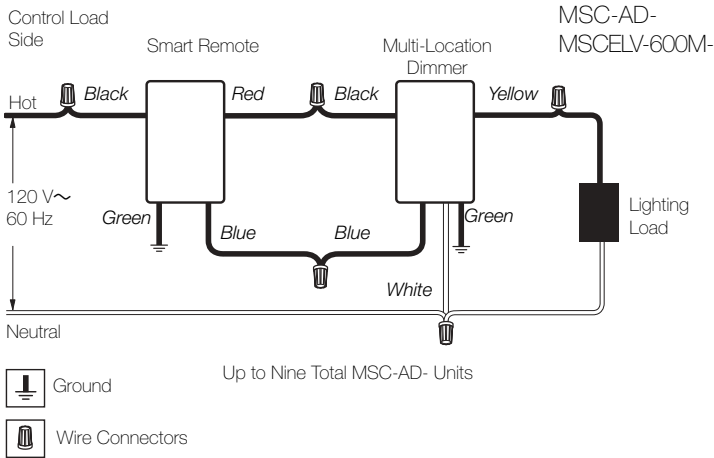
Model #
MSCELV-600M-



Wiring Diagram 4

Multi-Location Wiring

Model #



The Lutron logo, Lutron, FASS, and Maestro are trademarks or registered trademarks of Lutron Electronics Co., Inc. in the US and/or other countries.

Job Name:	Model Numbers:
Job Number:	