



# ELLIOTT ELECTRIC SUPPLY

We Deliver...Lower Cost, Quality Products, & Personal Service

3804 South Street  
75964-7263, TX Nacogdoches  
Phone: 936-569-7941  
Fax: 936-560-4685



## SC8 #8 Cu Butt Splice *Nsi Industries*

|                  |                              |
|------------------|------------------------------|
| Catalog Number   | SC8                          |
| Manufacturer     | Nsi Industries               |
| Description      |                              |
| Weight per unit  | 0.0140 (lbs/each)            |
| Product Category | Large Terminals & Connectors |

### Features

|                      |       |
|----------------------|-------|
| Number of Conductors | 2 IN  |
| Voltage Rating       | 600 W |

### Material, Color, and Finish

|       |     |
|-------|-----|
| Color | RED |
|-------|-----|

### Dimensions and Weight

|      |                            |
|------|----------------------------|
| Size | L=.900 - OD=.270 - ID=.170 |
|------|----------------------------|

### Descriptions

|                  |                           |
|------------------|---------------------------|
| Description      | #8 CU BUTT SPLICE         |
| Product Type     | Cu CMP Splice Short 8 Awg |
| Special Features | # 8 AWG (STR) - CU Splice |

### Manufacturer Information

|                           |                    |
|---------------------------|--------------------|
| Brand                     | NSi                |
| GTIN                      | 00662381037008     |
| Manufacturers Part Number | SC-8               |
| sub brand                 | Copper Compression |
| UPC                       | 662381037008       |

### Taxonomies, Classifications, and Categories

|                      |                                   |
|----------------------|-----------------------------------|
| Category Description | Comp & Mech Lugs and Butt Splices |
| Type                 | Short Barrel - CU Splice          |

### Packaging

|                 |       |
|-----------------|-------|
| Carton          | 1     |
| Package         | 100   |
| Weight Per each | 0.014 |

### Uses, Certifications, and Standards

|                          |   |
|--------------------------|---|
| Application              | Terminate, Splice, Tap Power Connectors |
| environmental conditions | 90 WTT                                  |
| standard                 | UL486                                   |
| Temperature Rating       | 90 WTT                                  |

## Copper Short Barrel Compression Splice - SC Series

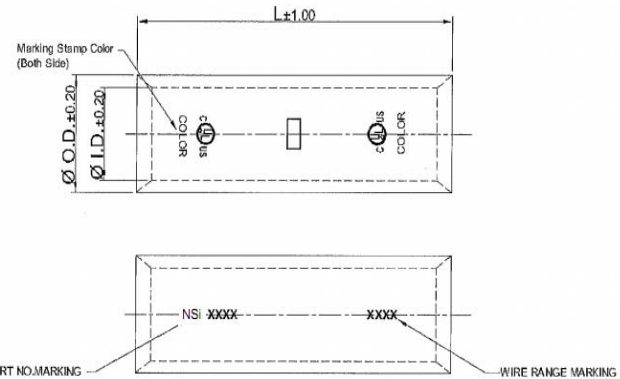
Produced from high conductivity copper tubing, tin plated for corrosion resistance. Color coded and marked with die index information, serrations indicate proper crimp locations.

**Drawn - SD**

**Approved - KM**

**Material - Copper**

**Title - Copper Short Barrel Compression Splice - SC Series**



| Part Number | Wire Range | Expanded Wire Range | Color Code | I.D. Inches | O.D. Inches | Length Inches |
|-------------|------------|---------------------|------------|-------------|-------------|---------------|
| SC-8        | 8 AWG      | 8 AWG               | RED        | 0.173       | 0.272       | 0.902         |
| SC-6        | 6 AWG      | 6-8 AWG             | BLUE       | 0.205       | 0.295       | 1.000         |
| SC-4        | 4 AWG      | 4-6 AWG             | GRAY       | 0.252       | 0.343       | 1.000         |
| SC-3        | 3 AWG      | 3-6 AWG             | White      | 0.282       | 0.378       | 1.883         |
| SC-2        | 2 AWG      | 2-6 AWG             | BROWN      | 0.315       | 0.421       | 1.252         |
| SC-1        | 1 AWG      | 1-6 AWG             | GREEN      | 0.358       | 0.469       | 1.799         |
| SC-1/0      | 1/0 AWG    | 1/0-6 AWG           | PINK       | 0.390       | 0.520       | 1.598         |
| SC-2/0      | 2/0 AWG    | 2/0-4 AWG           | BLACK      | 0.441       | 0.563       | 1.752         |
| SC-3/0      | 3/0 AWG    | 3/0-2 AWG           | ORANGE     | 0.492       | 0.622       | 1.752         |
| SC-4/0      | 4/0 AWG    | 4/0-1 AWG           | PURPLE     | 0.547       | 0.689       | 1.902         |
| SC-250      | 250 MCM    | 250 MCM-1/0 AWG     | YELLOW     | 0.594       | 0.752       | 2.000         |
| SC-300      | 300 MCM    | 300 MCM-2/0 AWG     | WHITE      | 0.657       | 0.815       | 2.098         |
| SC-350      | 350 MCM    | 350 MCM-3/0 AWG     | RED        | 0.701       | 0.874       | 2.098         |
| SC-400      | 400 MCM    | 400 MCM-4/0 AWG     | BLUE       | 0.764       | 0.949       | 2.299         |
| SC-500      | 500 MCM    | 500-250 MCM         | BROWN      | 0.835       | 1.063       | 2.500         |
| SC-600      | 600 MCM    | 600-250 MCM         | GREEN      | 1.189       | 1.189       | 2.500         |
| SC-750      | 750 MCM    | 750-500 MCM         | BLACK      | 1.031       | 1.311       | 3.201         |