

LED Surface Mount Disk Lights



Optical Design Provides a Wide Beam Angle With Low Glare

An easy-to-install downlight solution for new construction as well as retrofit applications, Topaz's surface mount LED fixtures are offered in standard 4" or 6" sizes. Perfect for residential or commercial applications with exceptional color rendering of 90 CRI, and available in 2700K, 3000K and 4000K color temperatures. With a life rating of at least 50,000 hours, they greatly minimize the cost of ownership through reduced maintenance and lower utility costs. Fixtures are ENERGY STAR certified, rated for wet location and support California Title 24 compliance.

FEATURES

- Up to 85% energy savings compared to incandescent lamps
- Energy-Star Certified
- Advanced optics and thermal construction
- Dimmable down to 5% of total light output
- Surface mount to most 4" J-boxes
- Driver-on-board technology eliminates an external power supply
- Suitable for damp or wet locations
- RoHS compliant and mercury free

APPLICATIONS

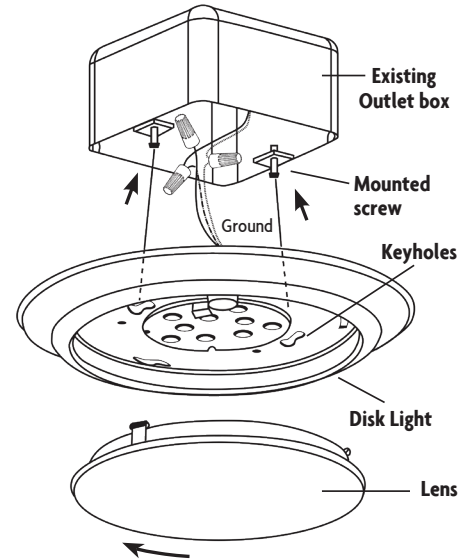
- Ceiling or surface mount applications, designed to install with most 4" J-Boxes.
- Suitable for use in closets, compliant with NFPA 70, NEC section 410.16 (A)(3) and 410.16 (C)(5)



LED Surface Mount Disk Lights

GENERAL SPECIFICATIONS

Input Voltage: 120V
CRI: 90
Beam Spread: 35°
Ambient Operating Temp: -4°F to 104°
Average Rated Life: 50,000 Hours
Power Factor: >0.99
THD: <15%



SPECIFICATIONS / ORDER INFO

Catalog Number	Order Code	UPC	Size	Trim Finish	Watts	CCT	Rated Lumens	LPW	Equip Watts	Unit Weight (lbs)	Case Qty
SDL4/12/930/D-28	70681	751338002715	4"	White	12W	3000K	840	70	75	0.55	1/24
SDL4/12/940/D-28	70682	751338002722	4"	White	12W	4000K	910	76	75	0.55	1/24
SDL4/12/927/BZ/D-28	70693	751338023574	4"	Bronze	12W	2700K	790	66	75	0.55	1/24
SDL4/12/930/BZ/D-28	70694	751338023581	4"	Bronze	12W	3000K	840	70	75	0.55	1/24
SDL4/12/930/BN/D-28	70683	751338002739	4"	Brushed Nickel	12W	3000K	840	70	75	0.55	1/24
SDL4/12/940/BN/D-28	70684	751338002746	4"	Brushed Nickel	12W	4000K	910	76	75	0.55	1/24
SDL6/15/930/D-28	70685	751338002753	6"	White	15.5W	3000K	1,000	65	100	0.85	1/24
SDL6/15/940/D-28	70686	751338002760	6"	White	15.5W	4000K	1,050	68	100	0.85	1/24
SDL6/15/927/BZ/D-28	70695	751338023598	6"	Bronze	15.5W	2700K	1,000	65	100	0.85	1/24
SDL6/15/930/BZ/D-28	70696	751338023604	6"	Bronze	15.5W	3000K	1,050	68	100	0.85	1/24
SDL6/15/930/BN/D-28	70691	751338029842	6"	Brushed Nickel	15.5W	3000K	1,050	68	100	0.85	1/24

NOMENCLATURE

Example: **SDL4/12/930/D**
SDL4=Surface Mount Disk Light 4" / **12**=12W / **930**=90 CRI, 3000K / **D**=Dimmable

ENERGY SAVINGS

	LED Watts	Equip Incandescent Wattage	Energy Savings, Watts	Yearly Saving, \$	5 Year Savings, \$
Based on 12 hours/day and .11/kwhr					
SDL4/12/9XX	12	75	63	\$30.35	\$151.75
SDL6/15/9XX	15	100	85	\$40.95	\$204.75

Dimming - These lamps are designed to be compatible with most leading edge or LED type dimmers.

This device complies with Part 15 of the FCC Rules. Operation is subject to the following two conditions: (1) this device may not cause harmful interference, and (2) this device must accept any interference received, including interference that may cause undesired operation. Fixture may not be compatible with all dimmers. Visit www.topaz-usa.com for up-to-date dimmer compatibility information. Specifications subject to change without notice.