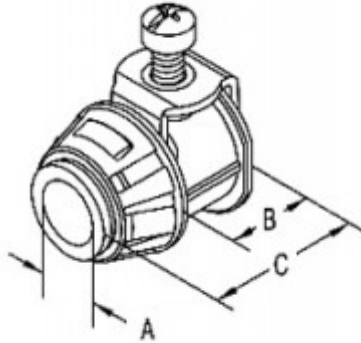


## E-Z LOCK® "U" Shaped Snap-In Connector (Insulated)

Recommended cable types for connecting 14/4 (.43" 0 min) to 10/3 (.61" 0 max) AC/MC Cable or 3/8" Flexible Metal Conduit to box or enclosure.  
HCF/HCFMCI-A

[Download Photo](#)[Download Drawing](#)[Download Drawing](#)

### Product details

<b>Catalog Number:</b>	SG38ASP
<b>UPC Number:</b>	78174708570
<b>Primary Materials:</b>	Zinc Die Cast
<b>Trade Size:</b>	3/8"
<b>Unit Quantity:</b>	50
<b>Standard Package Quantity:</b>	500

### Dimensions

<b>Trade Size:</b>	3/8"
<b>Dimensions A:</b>	13/32
<b>Dimensions B:</b>	5/8
<b>Dimensions C:</b>	1-1/16

### Certifications & Codes

**Federal Specification Number:** A-A-50552

**UL File Number:** E20534

**CSA File Number:** LR39354

**UNSPSC:** 39121438

**Nema Standard:** FB1

**UL Standard:** UL-514B

**Patent Number:** 7064272

**Country Of Manufacture:** USA