

SLING FLOOD

SLING FAMILY - SGF1/SGF2/SGF3

tradeSELECT®

FEATURES

- Commercial grade LED flood luminaire for use in outdoor applications such as a commercial building, retail, government and educational facilities.
- Low profile housing with trunnion and knuckle mounting options
- Available in eight wattages ranging from 20W to 320W
- Three housing sizes for scalability in the field
- 7x7 wide flood distribution



SPECIFICATIONS

CONSTRUCTION

- Die-cast aluminum die-cast housing
- Built in visor on all fixture sizes
- Tempered glass lens secured with sealant. Individual components are not field replaceable
- All units have dark bronze matte textured powder coat finish (matches Hubbell DBT finish)
- Operating Temp -40C to 40C
- Powder paint finish provides durability in outdoor environments. Tested to meet 1000 hour salt spray rating.

OPTICS

- Matte white reflector produces wide 7x7 distribution
- Beam Angle: 115°x108°
- Field Angle: 155°x156°

ORDERING GUIDE

STOCK ORDERING INFORMATION

Catalog Number	Fixture Size	Wattage	Lumen Output	Lumens Per Watt	Color Temp	Voltage	Mounting
SGF1-20-4K-120-K	SGF1	20	2693	128	4000K	120V	Threaded Knuckle
SGF1-40-4K-120-K	SGF1	40	4896	123	4000K	120V	Threaded Knuckle
SGF1-60-4K-K	SGF1	60	7022	123	4000K	120-277V	Threaded Knuckle
SGF2-80-4K-K	SGF2	80	9773	122	4000K	120-277V	Slipfitter Knuckle
SGF2-80-4K-T	SGF2	80	9773	122	4000K	120-277V	Trunnion
SGF2-120-4K-K	SGF2	120	14584	124	4000K	120-277V	Slipfitter Knuckle
SGF2-120-4K-T	SGF2	120	14584	124	4000K	120-277V	Trunnion
SGF3-200-4K-K	SGF3	200	24703	126	4000K	120-277V	Slipfitter Knuckle
SGF3-200-4K-T	SGF3	200	24703	126	4000K	120-277V	Trunnion
SGF3-280-4K-K	SGF3	280	34852	128	4000K	120-277V	Slipfitter Knuckle
SGF3-280-4K-T	SGF3	280	34852	128	4000K	120-277V	Trunnion
SGF3-320-4K-K	SGF3	320	39339	126	4000K	120-277V	Slipfitter Knuckle
SGF3-320-4K-T	SGF3	320	39339	126	4000K	120-277V	Trunnion



INSTALLATION

- SGF1 includes 1/2" 14NPS threaded knuckle
- SGF2 & SGF3 offer a slipfitter option that will fit over 2 3/8" tenons, or a trunnion option that is secured to flat surfaces via 1 or 2 bolts (not provided)

ELECTRICAL

- All configurations 60W and above are Universal Voltage (120-277V)
- 20W & 40W configurations are 120V only

CONTROLS

- 0-10V Dimmable drivers standard for 60-320W configurations. Leads extended from housing.
- Built in 6kV surge protector
- SGF1 wattage includes 20, 40 & 60W
- SGF2 wattage includes 80 & 120W
- SGF3 wattage includes 200, 280 & 320W

CERTIFICATIONS

- Listed to UL1598 and CSA C22.2#250.0-24 for wet locations and 40°C ambient temperatures
- Wet listed
- Consortium (DLC) premium qualifications, consult DLC website for more details: <http://www.designlights.org/QPL>
- IP66 rated housing

WARRANTY

- 5 year warranty

KEY DATA	
Lumen Range	2,693–39,339
Wattage Range	20–320W
Efficacy Range (LPW)	122–128
Weights lbs. (kg)	2.6–18.4 (1.2–8.3)

SLING FLOOD

SLING FAMILY - SGF1/SGF2/SGF3

ELECTRICAL DATA

Fixture	Input Voltage (Volts)	Oper. Current (Amps)	System Power (Watts)
SGF1-20	120	0.17	20.8
SGF1-40	120	0.33	39.8
SGF1-60	120	0.47	56.5
	277	0.20	
SGF2-80	120	0.66	79.2
	277	0.29	
SGF2-120	120	1.00	119.6
	277	0.43	
SGF3-200	120	1.67	200.8
	277	0.72	
SGF3-280	120	2.37	284.3
	277	1.03	
SGF3-320	120	2.62	314.4
	277	1.14	

LUMINAIRE AMBIENT TEMPERATURE FACTOR (LATF)

Ambient Temperature		Lumen Multiplier
0°C	32°F	1.03
10°C	50°F	1.01
20°C	68°F	1.00
25°C	77°F	1.00
30°C	86°F	0.99
40°C	104°F	0.98

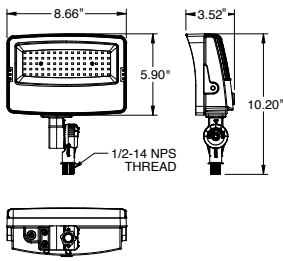
PROJECTED LUMEN MAINTENANCE

Ambient Temperature	OPERATING HOURS					
	0	25,000	TM-21-11 L90 36,000	50,000	100,000	L70 (Hours)
25°C / 77°F	1.00	0.94	0.92	0.88	0.78	142,000
40°C / 104°F	0.99	0.94	0.91	0.88	0.77	133,000

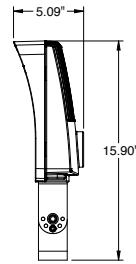
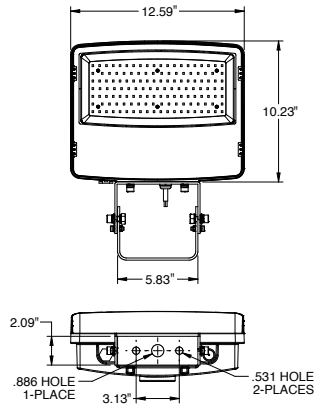
SLING FLOOD
SLING FAMILY - SGF1/SGF2/SGF3

DIMENSIONS

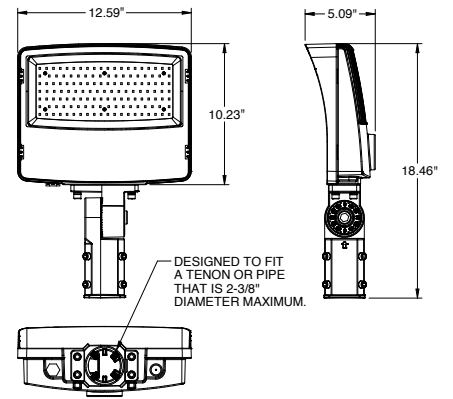
SGF1



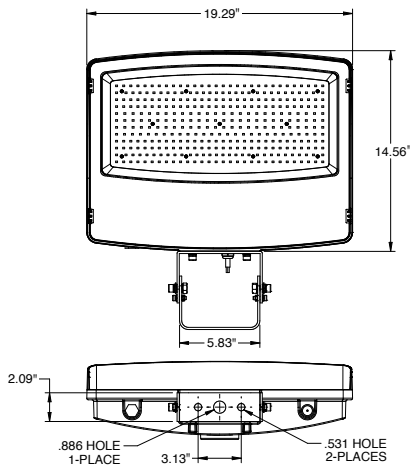
SGF2 (TRUNNION)



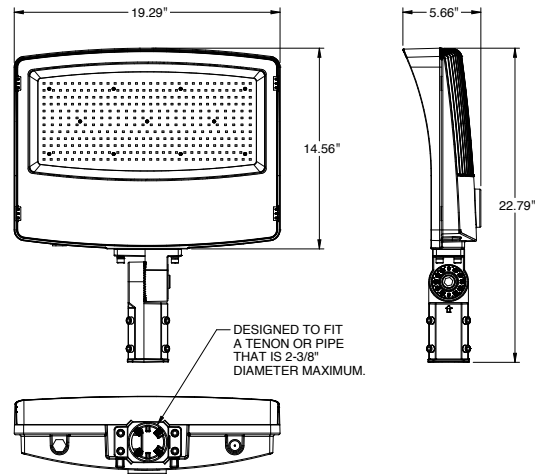
SGF2 (KNUCKLE)



SGF3 (TRUNNION)



SGF3 (KNUCKLE)

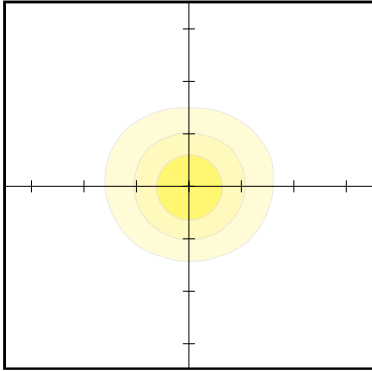


WEIGHT AND DIMENSION CHART

Configuration	Carton Size			Product Weight (lbs)
	L	W	H	Fixture Only
SGF1	12.20"	10.82"	5.71"	3.9 lbs.
SGF2 w/Knuckle	21.06"	14.76"	7.09"	13.6 lbs.
SGF2 w/Trunnion	20.08"	14.76"	7.09"	12.1 lbs.
SGF3 w/Knuckle	25.00"	21.45"	7.68"	23.8 lbs.
SGF3 w/Trunnion	24.02"	21.45"	7.68"	22.4 lbs.

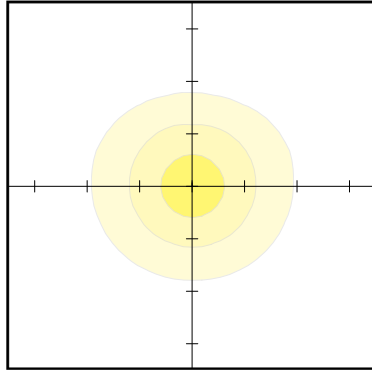
PHOTOMETRY

SGF1-20-4K-120



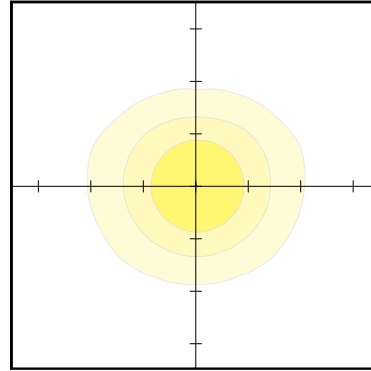
Scale: 20'
Mounting Height: 15'

SGF1-40-4K-120



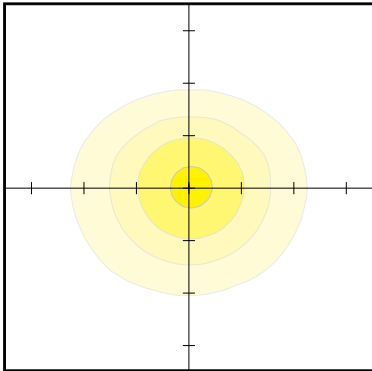
Scale: 20'
Mounting Height: 15'

SGF1-60-4K



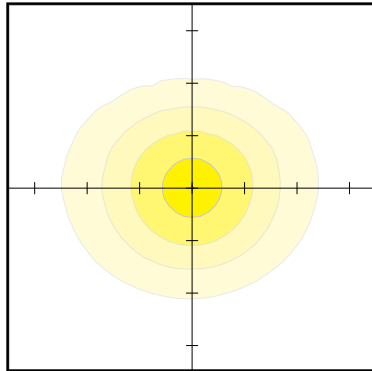
Scale: 20'
Mounting Height: 15'

SGF2-80-4K



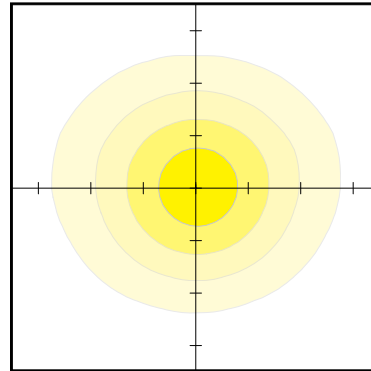
Scale: 20'
Mounting Height: 15'

SGF2-120-4K



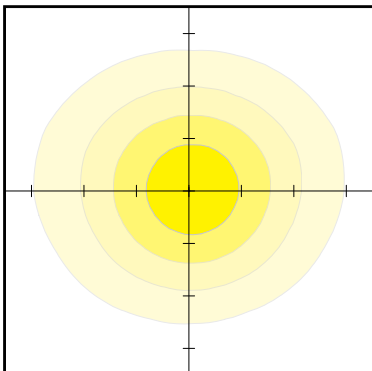
Scale: 20'
Mounting Height: 15'

SGF3-200-4K



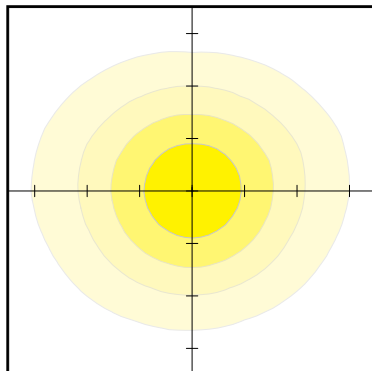
Scale: 20'
Mounting Height: 15'

SGF3-280-4K



Scale: 20'
Mounting Height: 15'

SGF3-320-4K



Scale: 20'
Mounting Height: 15'

USE OF TRADEMARKS AND TRADE NAMES

All product and company names, logos and product identifies are trademarks™ or registered trademarks® of Current Lighting, Inc. or their respective owners. Use of them does not necessarily imply any affiliation with or endorsement by such respective owners.