



# ELLIOTT ELECTRIC SUPPLY

We Deliver...Lower Cost, Quality Products, & Personal Service

3804 South Street  
75964-7263, TX Nacogdoches  
Phone: 936-569-7941  
Fax: 936-560-4685



## SS1206BG 16A 125V SPDT S

*Selecta Products*

Catalog Number	SS1206BG
Manufacturer	Selecta Products
Description	Rocker Switch, Curve; Nylon Base, Nylon/Polyster Rocker; Black Base, Black Rocker, Black Bezel; 125/250 Vac; 16 Ampere At 125 Vac, 10 Ampere At 250 Vac; Operation Type Maintained On/Maintained Off/Maintained On; Contact Configuration SPDT
Weight per unit	N/A
Product Category	Miniature/Appliance WRG Dev

### Features

Contact Configuration	SPDT
Current Rating	16 AMPERE AT 125 VAC, 10 AMPERE AT 250 VAC
Illuminated	NO
Material	NYLON BASE, NYLON/POLYSTER ROCKER
Operation Type	MAINTAINED ON/MAINTAINED OFF/MAINTAINED ON
Terminal Type	0.250 Inch Quick Connect
Voltage Rating	125/250 VAC

### Material, Color, and Finish

Color	BLACK BASE, BLACK ROCKER, BLACK BEZEL
-------	---------------------------------------

### Descriptions

Commodity Description	MINIATURE & APPLIANCE WIRING DEVICE
Description	16A 125V SPDT S
Long Description	ROCKER SWITCH, CURVE; NYLON BASE, NYLON/POLYSTER ROCKER; BLACK BASE, BLACK ROCKER, BLACK BEZEL; 125/250 VAC; 16 AMPERE AT 125 VAC, 10 AMPERE AT 250 VAC; OPERATION TYPE MAINTAINED ON/MAINTAINED OFF/MAINTAINED ON; CONTACT CONFIGURATION SPDT
Product Type	Rocker Switch

### Manufacturer Information

Brand	SELECTA[R]
GTIN	00661191105341
Manufacturers Part Number	SS1206-BG
Model	B220LSHPMR
UPC	661191105341

### Taxonomies, Classifications, and Categories

Category Description	SIGNALING EQUIPMENT
Type	CURVE



# ELLIOTT ELECTRIC SUPPLY

We Deliver...Lower Cost, Quality Products, & Personal Service

3804 South Street  
75964-7263, TX Nacogdoches  
Phone: 936-569-7941  
Fax: 936-560-4685

## Packaging

Carton	1
Package	5
Weight Per each	0

## Uses, Certifications, and Standards

Application	APPLIANCE
Approval	UL mA
Mounting	PANEL, SNAP IN

# ROCKER SWITCHES • SMALL APPLIANCE

.550" X 1.125" PANEL CUTOUT • .250" Q.C. TERMINATION										
POLES & THROWS	CIRCUIT FUNCTIONS	NOMINAL RATING			ROCKER ACTUATOR SHAPE	ACTUATOR/ LENS COLORS	VISI-ROCKER® END COLOR/ IMPRINTING	LAMP VOLTAGE	CATALOG NUMBER	FIG. NO.
		AMPS 125 VAC	AMPS 250 VAC	H.P. 125-250 VAC						

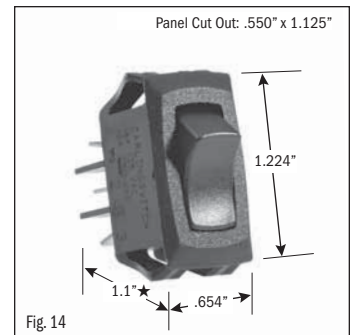
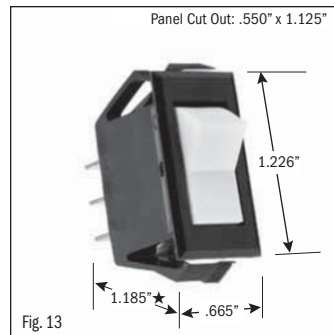
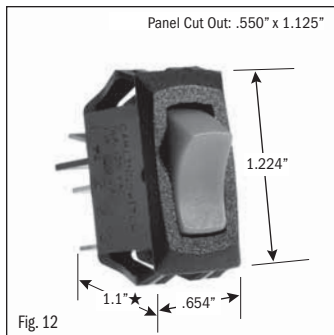
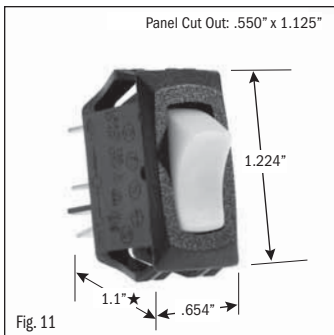
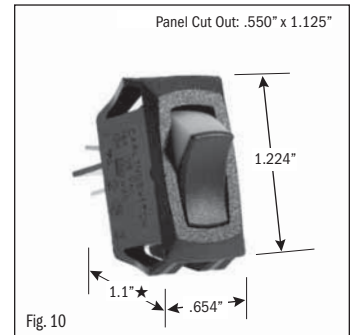
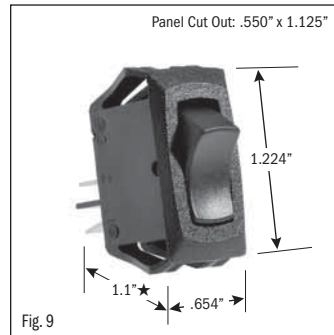
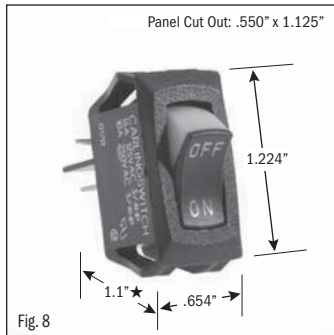
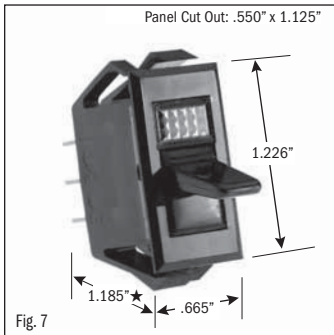
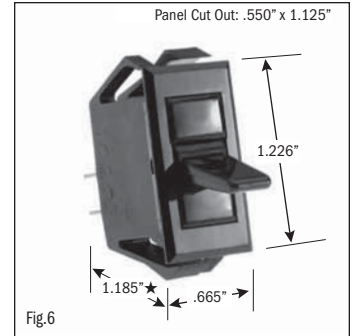
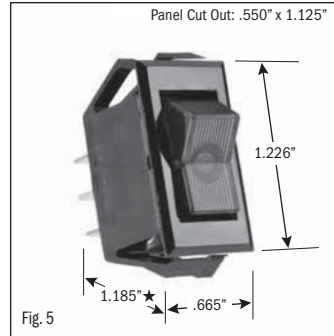
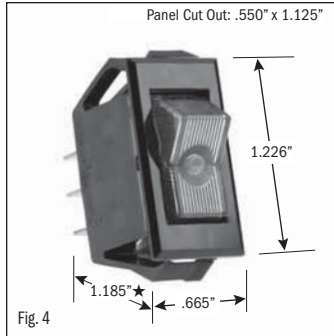
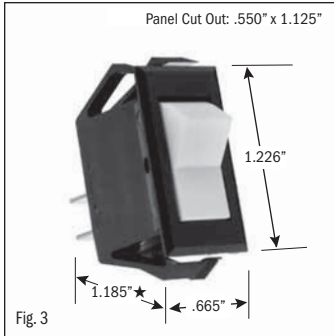
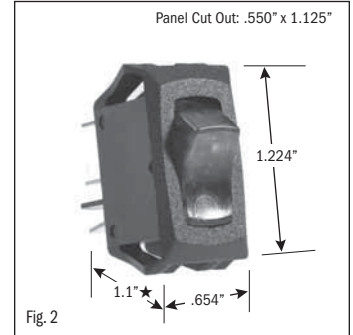
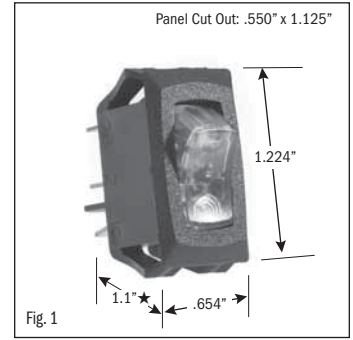
### MAINTAINED CONTACT

SPST	ON-OFF	12 Volts Incandescent			CURVED	AMBER/TRANSPARENT	NONE/NONE	12V INCANDESCENT	SS1207-BG	1
SPST	ON-OFF	12 Volts Incandescent			CURVED	RED/TRANSPARENT	NONE/NONE	12V INCANDESCENT	SS1209-BG	2
SPST	ON-OFF	15	10	3/4	"V" STYLE	WHITE/NONE	NONE/NONE	NONE	SS1218-BG	3
SPST	ON-OFF	15	10	3/4	"V" STYLE	AMBER/TRANSPARENT	NONE/NONE	125V NEON	SS1225-BG	4
SPST	ON-OFF	15	10	3/4	"V" STYLE	RED/TRANSPARENT	NONE/NONE	125V NEON	SS1227-BG	5
SPST	ON-OFF	15	10	3/4	"V" STYLE	GREEN/TRANSPARENT	NONE/NONE	12V INCANDESCENT	SS1229-BG	5
SPST	ON-OFF	15	10	3/4	PADDLE	BLACK/NONE	NONE/NONE	NONE	SS1230-BG	6
SPST	ON-OFF	15	10	3/4	PADDLE	BLACK/AMBER	NONE/NONE	125V NEON	SS1237-BG	7
SPST	ON-OFF	15	10	3/4	PADDLE	BLACK/RED	NONE/NONE	125V NEON	SS1239-BG	7
SPST	ON-OFF	16	10	3/4	CURVED	BLACK/NONE	RED/ON-OFF <sup>2</sup>	NONE	SS1201-BG	8
SPST	ON-OFF	16	10	3/4	CURVED	BLACK/NONE	NONE/NONE	NONE	SS1203-BG	9
SPST	ON-OFF	16	10 <sup>1</sup>		CURVED	BLACK/NONE	RED/NONE	NONE	SS1202-BG	10
SPST	ON-OFF	16	10 <sup>1</sup>		CURVED	AMBER/TRANSPARENT	NONE/NONE	125V NEON	SS1208-BG	1
SPST	ON-OFF	16	10 <sup>1</sup>		CURVED	AMBER/TRANSLUCENT	NONE/NONE	125V NEON	SS1214-BG	11
SPST	ON-OFF	16	10 <sup>1</sup>		CURVED	RED/TRANSPARENT	NONE/NONE	125V NEON	SS1210-BG	2
SPST	ON-OFF	16	10 <sup>1</sup>		CURVED	RED/TRANSLUCENT	NONE/NONE	125V NEON	SS1216-BG	12
SPDT	ON-ON	15	10	3/4	"V" STYLE	WHITE/NONE	NONE/NONE	NONE	SS1221-BG	13
SPDT	ON-ON	16	10	3/4	CURVED	BLACK/NONE	NONE/NONE	NONE	SS1205-BG	14
SPDT	ON-OFF-ON	15	10	3/4	"V" STYLE	WHITE/NONE	NONE/NONE	NONE	SS1223-BG	13
SPDT	ON-OFF-ON	16	10		CURVED	BLACK/NONE	NONE/NONE	NONE	SS1206-BG	14

<sup>1</sup> 10 (4) Amps 250 VAC  $\mu$ 185

<sup>2</sup> On-Off same color as Visi (Red)

continued on page 2



★ Switch height measurement in Figures above, includes body and terminals combined



All specifications and dimensions are for reference only. If specific information is needed and/or of critical nature, contact Selecta Products headquarters for specific information before ordering.