



# ELLIOTT ELECTRIC SUPPLY

We Deliver...Lower Cost, Quality Products, & Personal Service

3804 South Street  
75964-7263, TX Nacogdoches  
Phone: 936-569-7941  
Fax: 936-560-4685



## SS229BG Mom SPST NC Switch

Selecta Products

Catalog Number	SS229BG
Manufacturer	Selecta Products
Description	Toggle Switch, 125/250 Vac; 15 Ampere At 125 Vac, 10 Ampere At 250 Vac; Contact Configuration SPST, NC; Operation Type Momentary On/Momentary Off; Approval UL; Mounting Hole Size 0.5 Inch Dia
Weight per unit	N/A
Product Category	Miniature/Appliance WRG Dev

### Features

Button Type	BRASS/NICKEL
Contact Configuration	SPST, NC
Current Rating	15 AMPERE AT 125 VAC, 10 AMPERE AT 250 VAC
Operation Type	MOMENTARY ON/MOMENTARY OFF
Terminal Type	SCREW
Voltage Rating	125/250 Volt AC

### Descriptions

Additional Information	MOUNTING HOLE SIZE 0.5 INCH DIA
Commodity Description	MINIATURE & APPLIANCE WIRING DEVICE
Description	MOM SPST NC SWITCH
Long Description	TOGGLE SWITCH, 125/250 VAC; 15 AMPERE AT 125 VAC, 10 AMPERE AT 250 VAC; CONTACT CONFIGURATION SPST, NC; OPERATION TYPE MOMENTARY ON/MOMENTARY OFF; APPROVAL UL; MOUNTING HOLE SIZE 0.5 INCH DIA
Product Type	Pushbutton Switch

### Manufacturer Information

Brand	SELECTA
GTIN	00661191110604
Manufacturers Part Number	SS229-BG
Model	SS
UPC	661191110604

### Taxonomies, Classifications, and Categories

Category Description	TOGGLE SWITCHES
----------------------	-----------------

### Packaging

Carton	1
Package	5
Weight Per each	0



# ELLIOTT ELECTRIC SUPPLY

We Deliver...Lower Cost, Quality Products, & Personal Service

3804 South Street  
75964-7263, TX Nacogdoches  
Phone: 936-569-7941  
Fax: 936-560-4685

---

## Uses, Certifications, and Standards

Approval .....	UL mA .....
Mounting .....	15/32 INCH-32 TPI BUSHING .....

# PUSHBUTTON SWITCHES

PUSHBUTTON SWITCHES										
POLES & THROWS	CIRCUIT FUNCTIONS	NOMINAL RATING			ACTUATOR STYLE	ACTUATOR MATERIAL	TERMINATION TYPE	MOUNTING HOLE DIAMETER	CATALOG NUMBER	FIG. NO.
		AMPS	AMPS	H.P.						
		125 VAC	250 VAC	125-250 VAC						

## MAINTAINED CONTACT

SPST	PUSH ON-PUSH OFF	3†			STRAIGHT	NYLON	WIRE	.38"	SS103-BG	1
SPST	PUSH ON-PUSH OFF	6†	3		STRAIGHT	BRASS/BRONZE	WIRE	.39"	SS104-BG	2
SPST	PUSH ON-PUSH OFF	6*	3*		CAP	BRASS/NICKEL	SCREW	.50"	SS216-11-BG	3
SPST	PUSH ON-PUSH OFF	6*	3*		CAP	BRASS/NICKEL	WIRE	.50"	SS215-10-BG	4
SPST	PUSH ON-PUSH OFF	8^*	4*	1/3 @ 125	CAP	NYLON	WIRE	.50"	SS105-BG	5
SPST	PUSH ON-PUSH OFF	15	10		CAP	BRASS/NICKEL	SCREW	.50"	SS224-BG	6
SPDT	PUSH ON-PUSH ON	15	10		CAP	BRASS/NICKEL	SCREW	.50"	SS223S-BG	7

## MOMENTARY CONTACT

SPST N.O.	OFF-(ON)	3/4*	1/4*		STRAIGHT	NYLON	SCREW	.50"	SS213-13-BG	8
SPST N.O.	OFF-(ON)	3†			STRAIGHT	NYLON	WIRE	.38"	SS101-BG	9
SPST N.O.	OFF-(ON)	15	10		CAP	BRASS/NICKEL	SCREW	.50"	SS228-BG	10
SPST N.O.	OFF-(ON)	15	10		CAP	BRASS/NICKEL	.250" SPADE	.50"	SS232P-BG	11
SPST N.C.	ON-(OFF)	3/4*	1/4*		STRAIGHT	NYLON	SCREW	.50"	SS214-14-BG	8
SPST N.C.	ON-(OFF)	3†			STRAIGHT	NYLON	WIRE	.38"	SS102-BG	12
SPST N.C.	ON-(OFF)	6*	3*		CAP	BRASS/NICKEL	WIRE	.50"	SS233W-BG	13
SPST N.C.	ON-(OFF)	15	10		CAP	BRASS/NICKEL	SCREW	.50"	SS229-BG	14

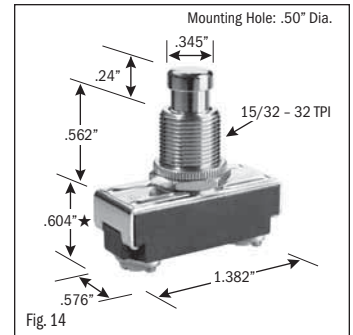
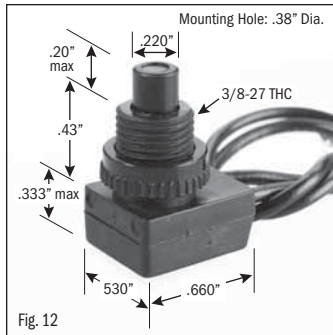
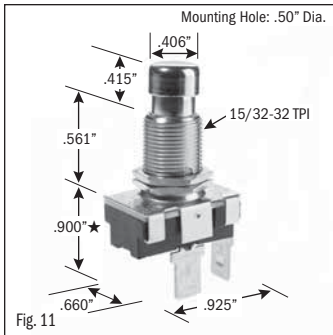
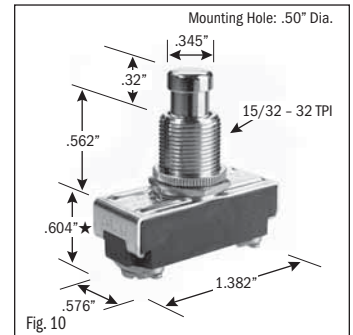
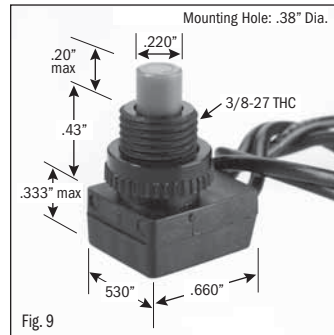
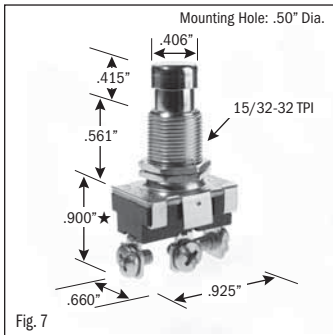
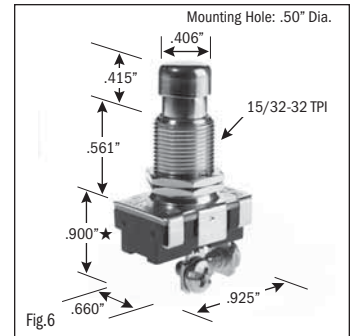
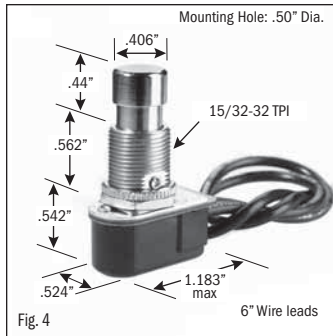
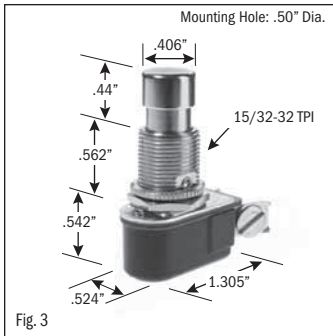
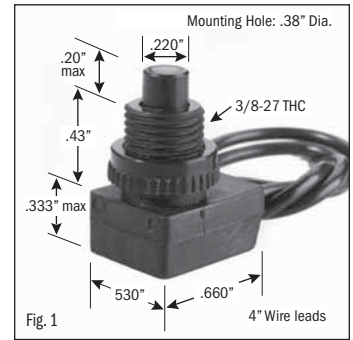
† Rated 3 Amps Inductive 125 VAC; 2 Amps, 125VAC-L

‡ Also rated 3 Amps 125VAC-L

\* Stated Amperage and voltage also valid for D.C. Rating

^ Also rated 10 Amps 125 VAC

continued on page 2



★ Switch height measurement in Figures above, includes body and terminals combined



All specifications and dimensions are for reference only. If specific information is needed and/or of critical nature, contact Selecta Products headquarters for specific information before ordering.