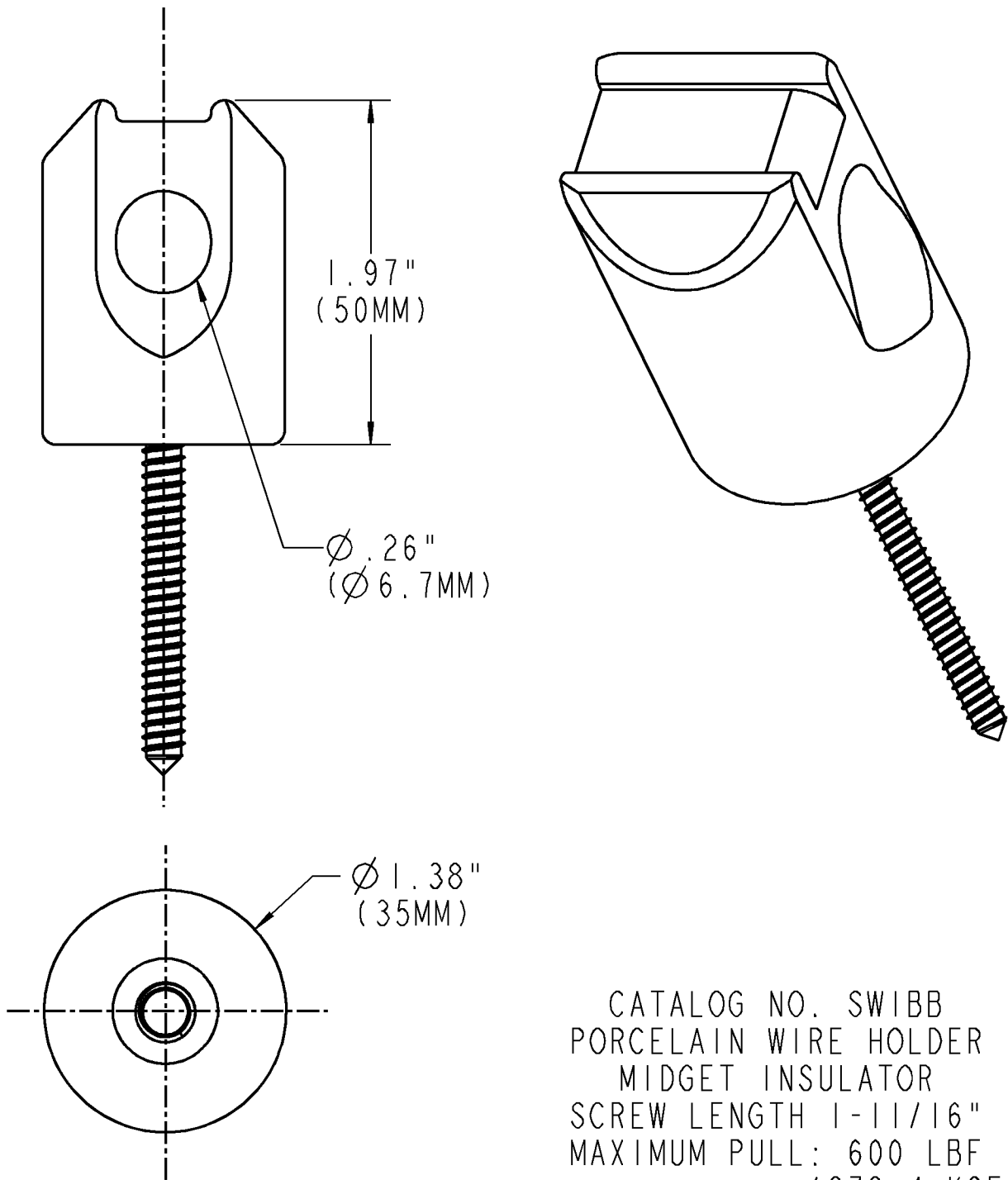



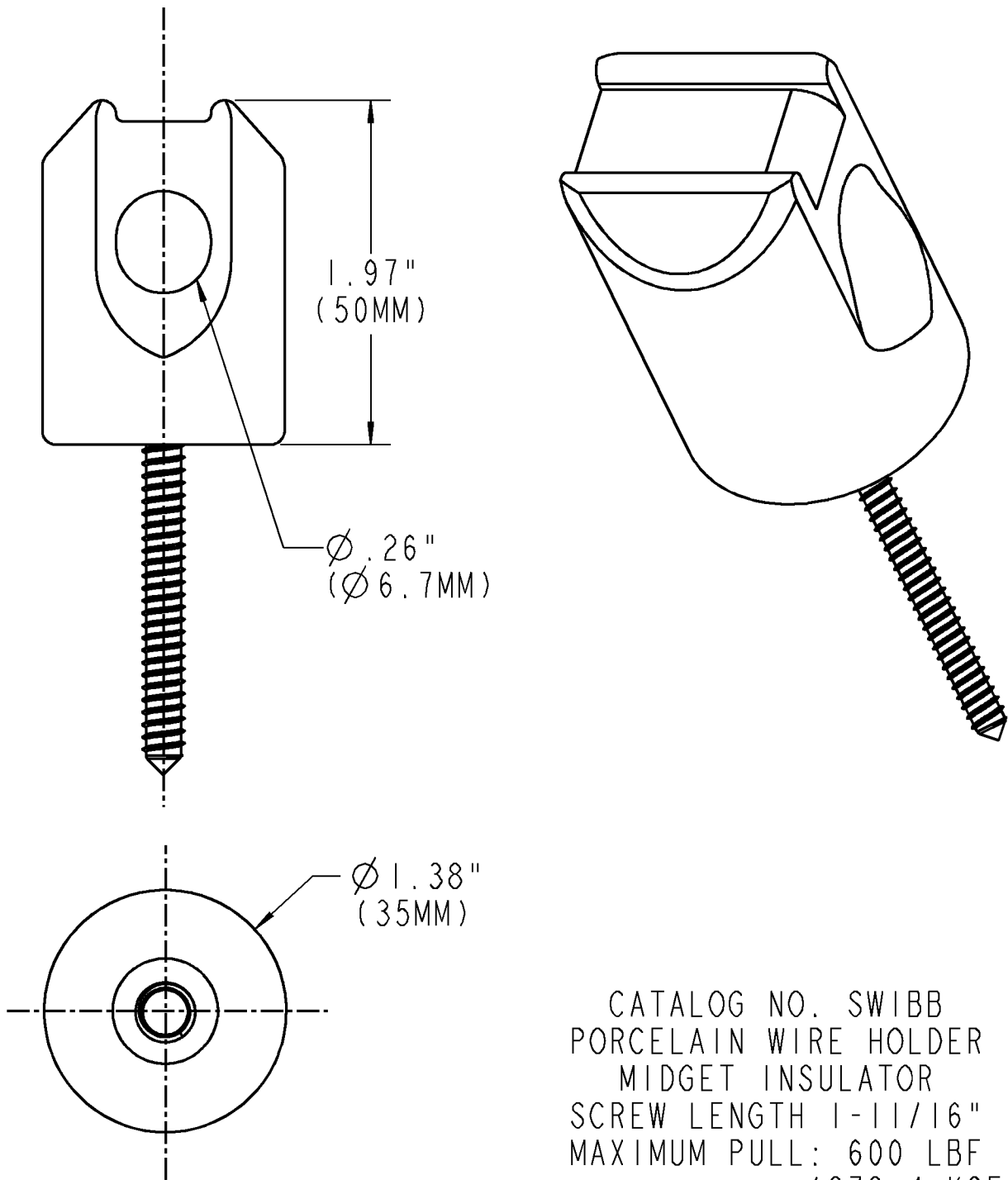
# Steel City




CATALOG NO. SWIBB  
 PORCELAIN WIRE HOLDER  
 MIDGET INSULATOR  
 SCREW LENGTH 1-11/16"  
 MAXIMUM PULL: 600 LBF  
 (272.4 KGF)

<b>GENERAL NOTES</b>		 <a href="http://www.tnb.com">www.tnb.com</a>			
1. ALL DIMENSIONS ARE FOR REFERENCE ONLY. 2. DIMENSIONS IN BRACKETS [ ] ARE IN METRIC UNITS.					
<b>REVISIONS</b>		<b>DESCRIPTION:</b>			
- SEE ERN ( **** ) FOR APPROVAL SIGNATURES & RELEASE DATE. PROJECT NO: ****		<b>SWIBB PORCELAIN WIRE HOLDER</b>			
		ORIGINAL PROJECT NO / ( ERN NO )	SHEET NO:	REV. NO:	DRAWING NO:
		RM401839 / ( 2012724 )	1 OF 1	-	<b>WSD-000614</b>

# Steel City



CATALOG NO. SWIBB  
 PORCELAIN WIRE HOLDER  
 MIDGET INSULATOR  
 SCREW LENGTH 1-11/16"  
 MAXIMUM PULL: 600 LBF  
 (272.4 KGF)

<b>GENERAL NOTES</b>		 <a href="http://www.tnb.com">www.tnb.com</a>			
1. ALL DIMENSIONS ARE FOR REFERENCE ONLY. 2. DIMENSIONS IN BRACKETS [ ] ARE IN METRIC UNITS.					
<b>REVISIONS</b>		<b>DESCRIPTION:</b>			
- SEE ERN ( **** ) FOR APPROVAL SIGNATURES & RELEASE DATE. PROJECT NO: ****		<b>SWIBB PORCELAIN WIRE HOLDER</b>			
		ORIGINAL PROJECT NO / ( ERN NO )	SHEET NO:	REV. NO:	DRAWING NO:
		RM401839 / ( 2012724 )	1 OF 1	-	<b>WSD-000614</b>