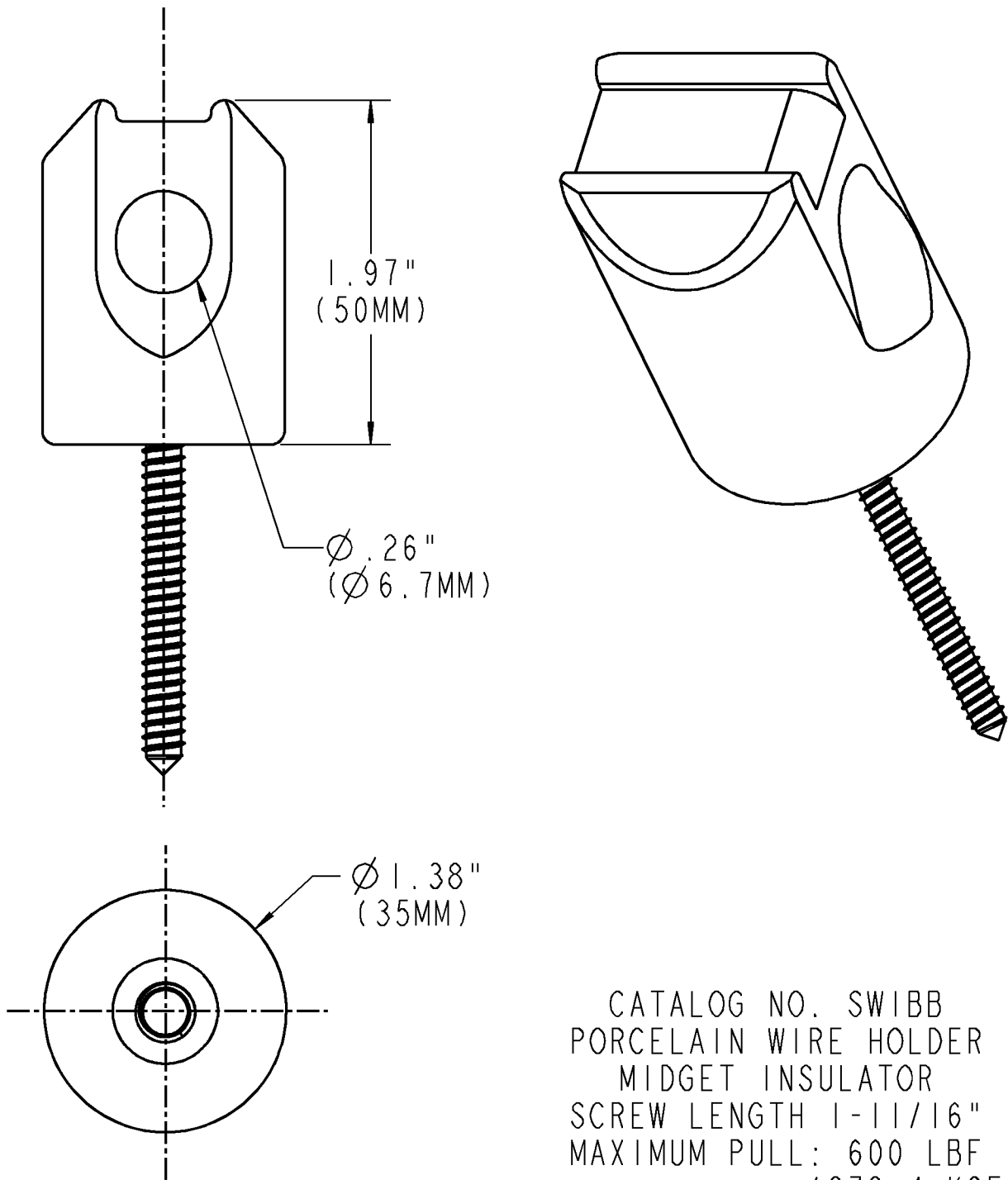



Steel City



CATALOG NO. SWIBB
 PORCELAIN WIRE HOLDER
 MIDGET INSULATOR
 SCREW LENGTH 1-11/16"
 MAXIMUM PULL: 600 LBF
 (272.4 KGF)

GENERAL NOTES		 www.tnb.com			
1. ALL DIMENSIONS ARE FOR REFERENCE ONLY. 2. DIMENSIONS IN BRACKETS [] ARE IN METRIC UNITS.					
REVISIONS		DESCRIPTION:			
- SEE ERN (****) FOR APPROVAL SIGNATURES & RELEASE DATE. PROJECT NO: ****		SWIBB PORCELAIN WIRE HOLDER			
		ORIGINAL PROJECT NO / (ERN NO)	SHEET NO:	REV. NO:	DRAWING NO:
		RM401839 / (2012724)	1 OF 1	-	WSD-000614