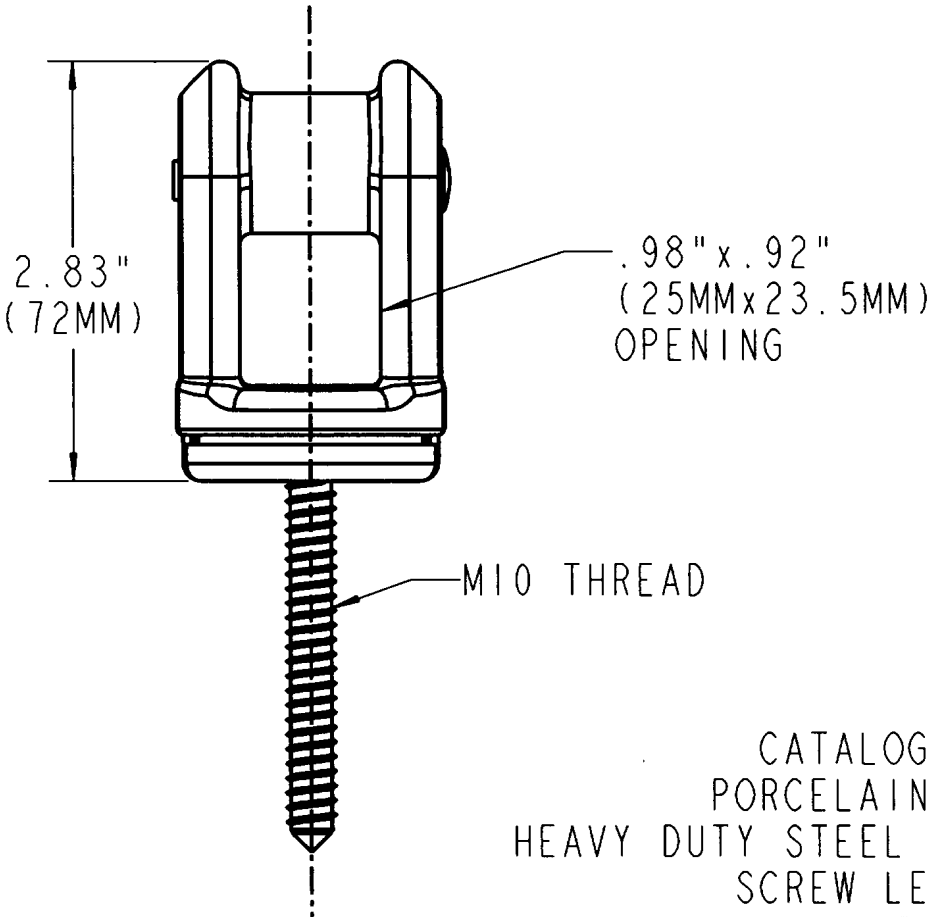
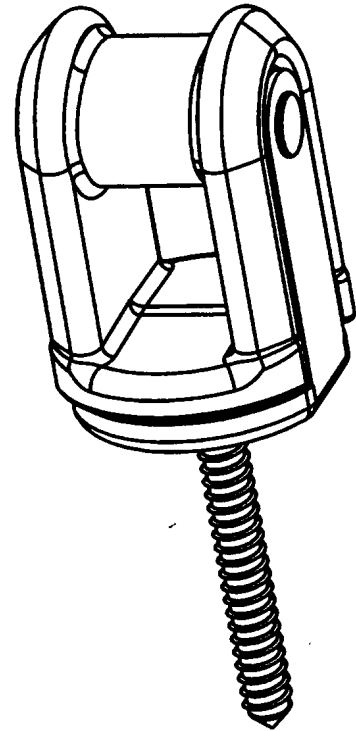
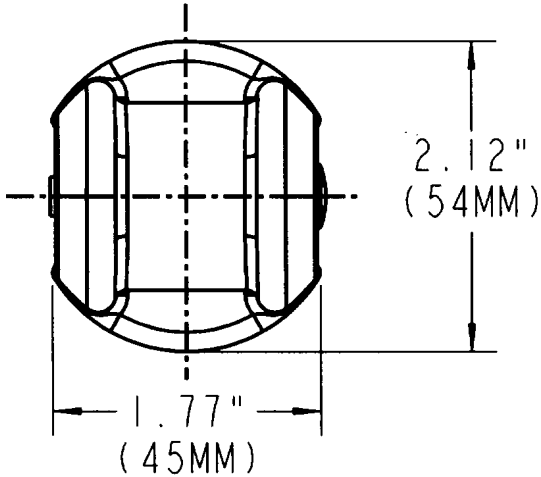


Steel City



CATALOG NO. SW3BB
 PORCELAIN WIRE HOLDER
 HEAVY DUTY STEEL REINFORCED INSULATOR
 SCREW LENGTH 2-1/4"
 MAXIMUM PULL: 1500 LBF
 (681 KGF)

GENERAL NOTES

1. ALL DIMENSIONS ARE FOR REFERENCE ONLY.
2. DIMENSIONS IN BRACKETS [] ARE IN METRIC UNITS.

REVISIONS

- | | |
|---|---|
| 1 | SEE ERN 2012770 FOR APPROVAL SIGNATURES & RELEASE DATE.
PROJECT NO: RM401839 |
|---|---|

Thomas & Betts
www.tnb.com

DESCRIPTION:

**SW3BB
 PORCELAIN WIRE HOLDER**

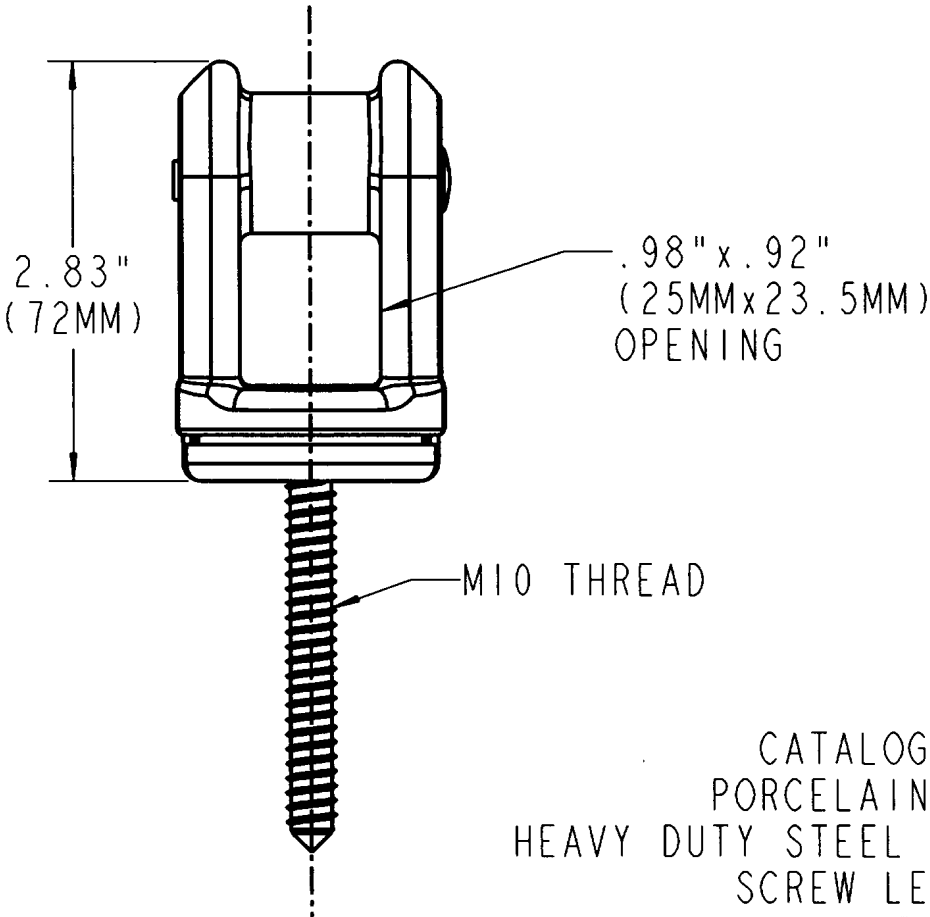
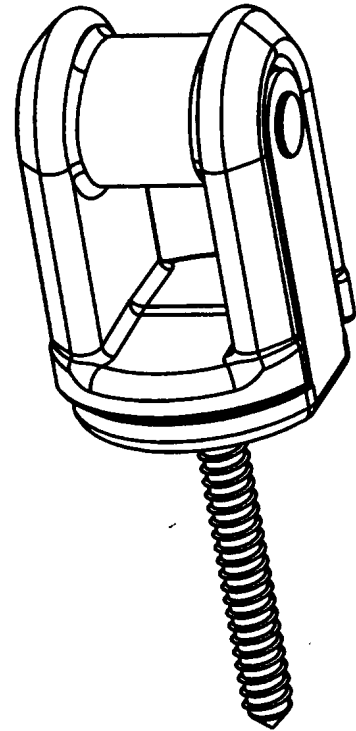
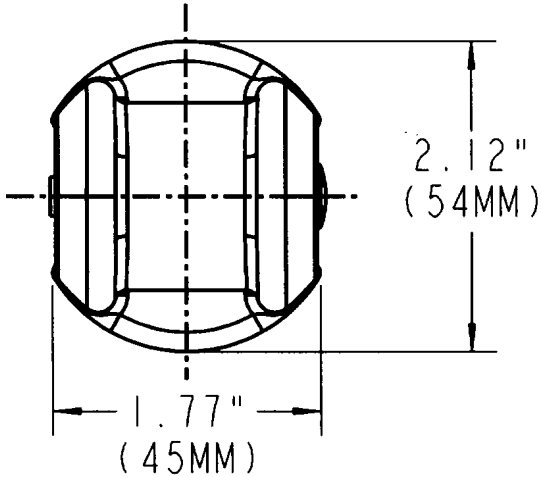
ORIGINAL PROJECT NO / (ERN NO)
 RM401839 / (2012617)

SHEET NO:
 1 OF 1

REV. NO:
 1

DRAWING NO:
WSD-000611

Steel City



CATALOG NO. SW3BB
 PORCELAIN WIRE HOLDER
 HEAVY DUTY STEEL REINFORCED INSULATOR
 SCREW LENGTH 2-1/4"
 MAXIMUM PULL: 1500 LBF
 (681 KGF)

GENERAL NOTES

1. ALL DIMENSIONS ARE FOR REFERENCE ONLY.
2. DIMENSIONS IN BRACKETS [] ARE IN METRIC UNITS.

REVISIONS

- | | |
|---|---|
| 1 | SEE ERN 2012770 FOR APPROVAL SIGNATURES & RELEASE DATE.
PROJECT NO: RM401839 |
|---|---|

Thomas & Betts
www.tnb.com

DESCRIPTION:

**SW3BB
 PORCELAIN WIRE HOLDER**

ORIGINAL PROJECT NO / (ERN NO)
 RM401839 / (2012617)

SHEET NO:
 1 OF 1

REV. NO:
 1

DRAWING NO:
WSD-000611