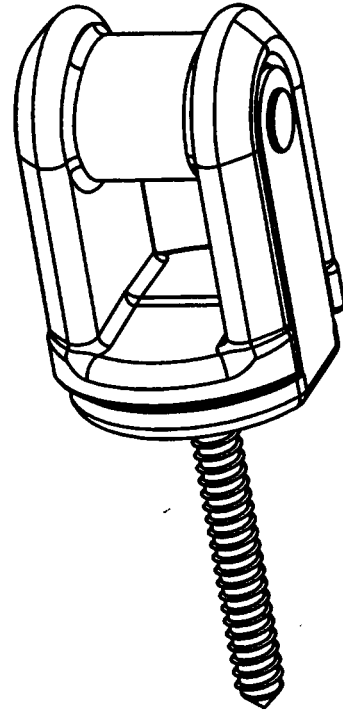
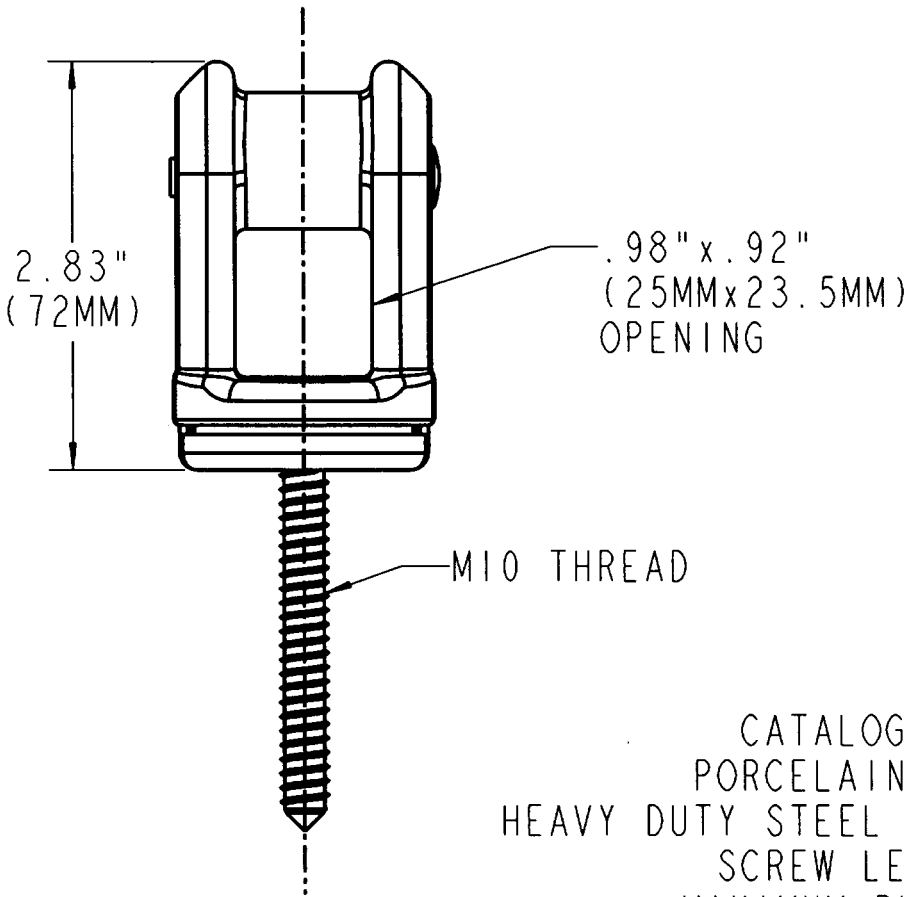
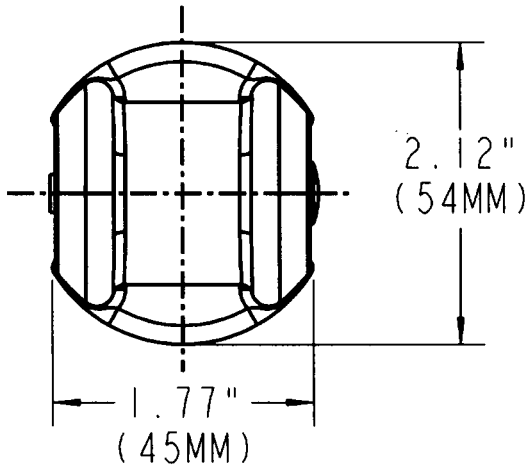


# Steel City



CATALOG NO. SW3BB  
 PORCELAIN WIRE HOLDER  
 HEAVY DUTY STEEL REINFORCED INSULATOR  
 SCREW LENGTH 2-1/4"  
 MAXIMUM PULL: 1500 LBF  
 (681 KGF)

### GENERAL NOTES

1. ALL DIMENSIONS ARE FOR REFERENCE ONLY.
2. DIMENSIONS IN BRACKETS [ ] ARE IN METRIC UNITS.

### REVISIONS

1 SEE ERN 2012770 FOR APPROVAL SIGNATURES & RELEASE DATE.  
 PROJECT NO: RM401839

**Thomas & Betts**  
www.tnb.com

DESCRIPTION:

**SW3BB  
 PORCELAIN WIRE HOLDER**

ORIGINAL PROJECT NO / ( ERN NO )

RM401839 / ( 2012617 )

SHEET NO:

1 OF 1

REV. NO:

1

DRAWING NO:

WSD-000611