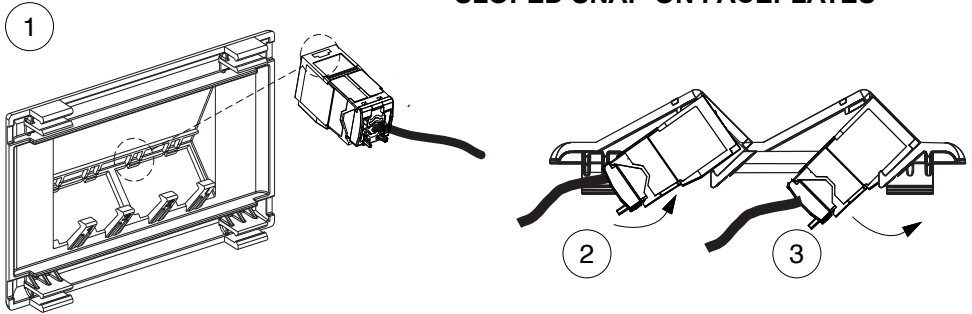


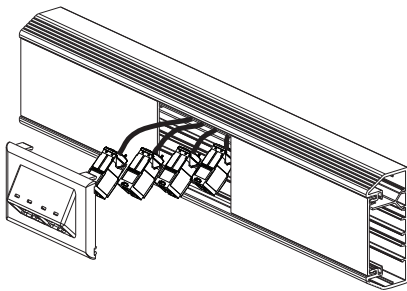
NOTE: PANDUIT ICON PART NUMBERS CIP\*\*-C AND CID\*\*-C CAN BE USED WITH THE ABOVE FACEPLATES.

### TYPICAL INSTALLATION

### MINI-COM SLOPED SNAP-ON FACEPLATES



### T-70 APPLICATION



### FAST-SNAP JUNCTION BOX APPLICATION

