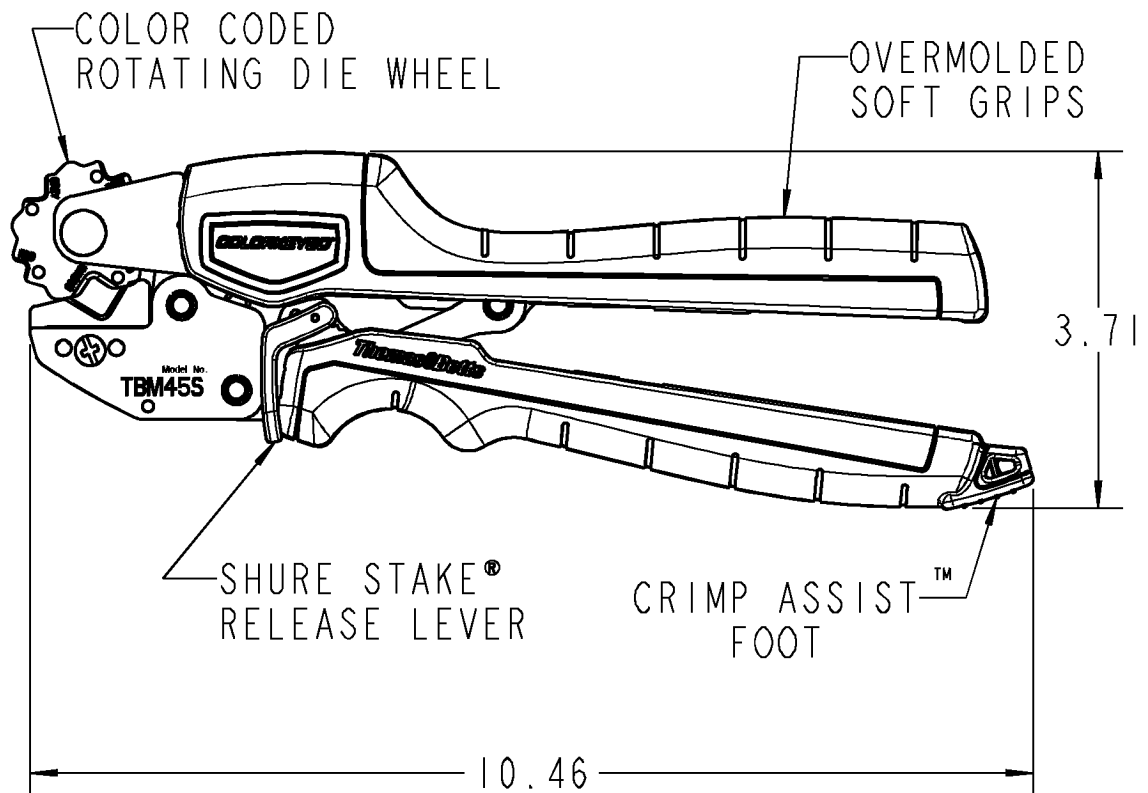




FOR INSTALLING COLOR-KEYED® COPPER  
AND ALUMINUM LUGS, SPLICES, C-TAPS,  
AND PIGTAILS, 8-2 AWG Cu, 10-6 AWG Al



**CAUTION:** HANDLES NON-INSULATING,  
DO NOT CRIMP ENERGIZED WIRES

<b>GENERAL NOTES</b>		  www.tnb.com			
1. ALL DIMENSIONS ARE FOR REFERENCE ONLY. 2. DIMENSIONS IN BRACKETS [ ] ARE IN METRIC UNITS.					
<b>REVISIONS</b>		<b>DESCRIPTION: TBM455 COMFORT CRIMP COMPRESSION TOOL WITH SHURE STAKE MECHANISM</b>			
<b>**</b> SEE ERN ( **** ) FOR APPROVAL SIGNATURES & RELEASE DATE. PROJECT NO: ****		ORIGINAL PROJECT NO / ( ERN NO ) TD55632 / ( 2010868 )	SHEET NO: 1 OF 1	REV. NO: -	DRAWING NO: <b>WSD-000506</b>