

Catalog #		Date		Prepared by	
Project		Type		Notes	

HALO™

OUTDOOR SECURITY



TGS - SECURITY FLOODLIGHTS

WITH LUMEN SELECT TECHNOLOGY



Interactive Menu

- [Order Information](#) page 5
- [Product Specification](#) page 4
- [Product Warranty](#) page 4
- [Product Dimensions](#) page 3
- [Photometric Data](#) page 6

DIE-CAST SECURITY FLOODLIGHTS | 120V INPUT | 4000K | MOTION, DUSK-TO-DAWN, & SWITCH ACTIVATED | BRONZE FINISH | LUMEN SELECT TECHNOLOGY

The TGS Floodlight Family is designed to cover a range of different use cases by including a lumen-selectable switch that can dim the light intensity. Ideal for both residential and commercial applications

CATEGORY	LUMENS	AVAILABLE TYPE	AVAILABLE FINISH
TGS3S - SINGLE HEAD - SQUARE 	UP TO 3000 LUMENS		
TGS2S - TWIN HEAD - SQUARE 	UP TO 2500 LUMENS	 	WHITE BRONZE
TGS2S - TWIN HEAD - ROUND 	UP TO 2500 LUMENS		
TGS3S - TRIPLE HEAD - ROUND 	UP TO 3000 LUMENS		

TOP PRODUCT FEATURES



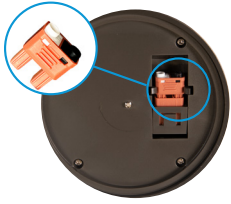
- Durable diecast constructed light heads with UV resistant transparent polycarbonate lens
- 3 selectable brightness levels with Lumen Select feature
- Single head (Square only), Twin head (Square or Round) and Triple head (Round only) options available
- Switch activated, Dusk to Dawn, and Motion Activated models available
- Maintenance-free LEDs with 70,000 hours of life.
- Wall or eave mounted to recessed or surface junction boxes
- Easy to install with Quick Connect wiring harness

PRODUCT CERTIFICATION



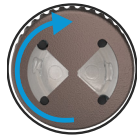
PRODUCT FEATURE HIGHLIGHTS

Quick Connect wiring harness



Halo's quick connect wiring system allows for simple installation without wire nuts.

Selectable Photocell



PHOTOCELL ON
Dusk to Dawn Mode



PHOTOCELL OFF
Switch Activated Mode

Dusk to Dawn TGS fixtures can be manually set to a switch activated fixture by simply rotating the photocell cover cap

DualTech - Motion Sensor



180° | 50 Ft
Single & Twin Head

270° | 50 Ft
Triple Head

360° | 50 Ft

Look Down Sensor
Eliminates Motion Blindspots below motion sensor head

Configurable Motion Sensor - Time out, Sensitivity & Standby Dim level



- A** 360 Degree Look down sensor eliminates blind spots under the fixture
- B** Adjustable Sensitivity - 5 steps of adjustable sensitivity
- C** Adjustable Timeout - Set how long fixture will stay on when motion is detected
- D** Standby Dimming - Select dimming level of light after motion is no longer detected

Standby Dimming - Features allow for even more energy savings



When motion is detected, light comes on at 100%.
When motion is no longer detected, light will dim down to configured brightness.

TYPICAL APPLICATIONS

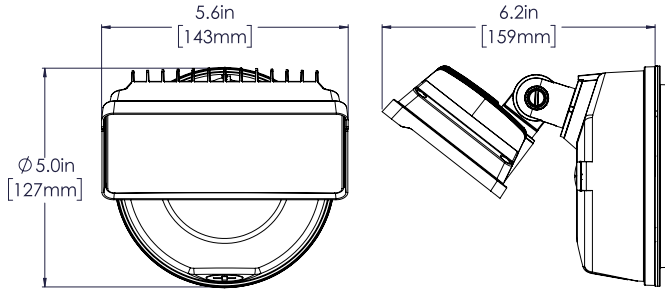


RESIDENCIAL APPLICATIONS

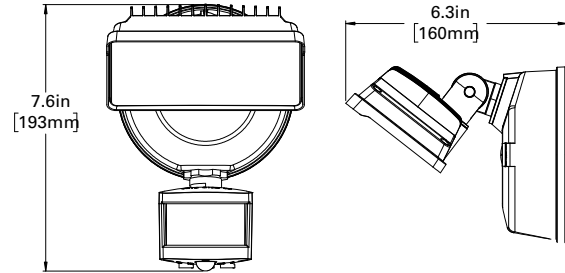
- Backyards
- Garages
- Barns
- General security lighting

PRODUCT DIMENSIONS

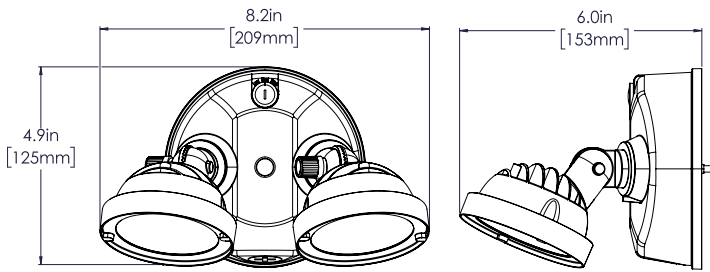
TGS SINGLE HEAD SQUARE - D2D & Switch Activated



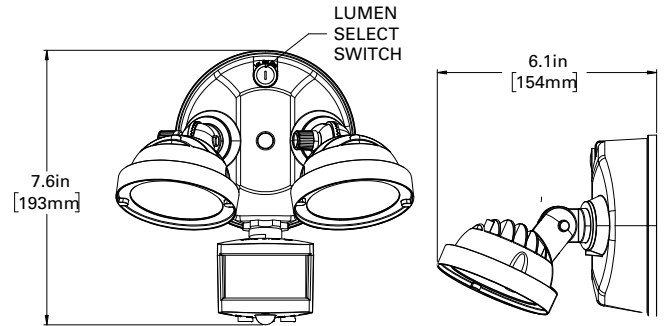
TGS SINGLE HEAD SQUARE - Motion Activated



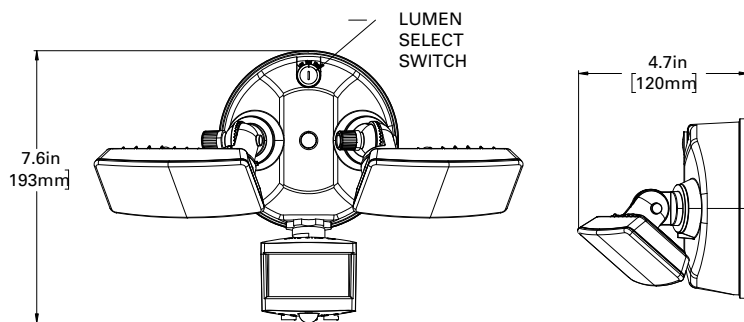
TGS TWIN HEAD ROUND - D2D & Switch Activated



TGS TWIN HEAD ROUND - Motion Activated

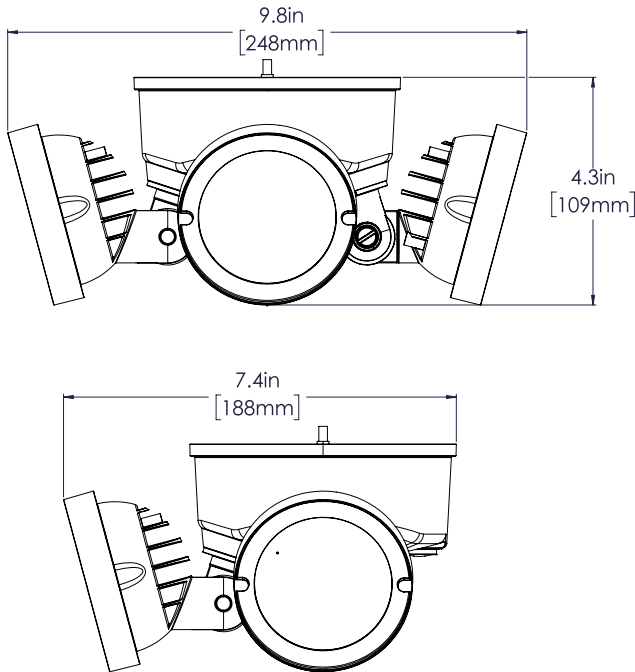


TGS TWIN HEAD SQUARE - Motion Activated

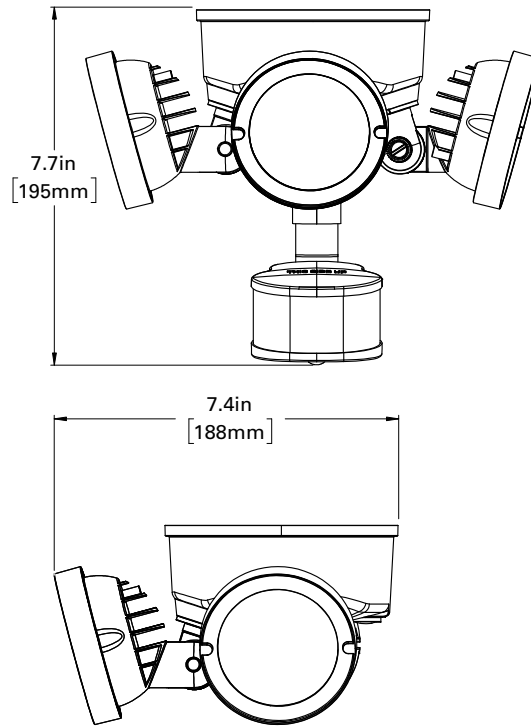


PRODUCT DIMENSIONS

TGS TRIPLE HEAD ROUND - D2D & Switch Activated



TGS TRIPLE HEAD ROUND - Motion Activated



PRODUCT SPECIFICATIONS

Construction

- Durable die-cast aluminium heads suitable for wet locations
- Powder coat finish on the die-cast heads.
- Tool-less head and motion sensor adjustment

Installation

- Wall or eave mounted to recessed junction boxes, mounting hardware included in box
- Quick Connect wiring harness system makes wiring simple without requiring wire nuts
- Adapter plate kit used for surface junction boxes. Option sold separately

Optics

- Two packages available: 3,000 and 2,500 Lumens Max
- Twin square heads have sleek wrap around lens design to push more light to where you need it

Electrical

- 120V, 60Hz Driver
- Power Factor >.90
- THD <20%
- Built to last with maintenance-free LEDs with 70,000 hours of life
- 4000K Bright white color temperature ideal for security applications
- 80CRI renders colors accurately
- Fixture operating temperature of -30°C to 40°C

Controls

- Integral photocell allows for nighttime ON / daytime OFF operation. Photocell can be turned on or off by using rotatable cap (DUSK TO DAWN SKUS)
- 180° detection radius up to 50' range, with adjustable sensitivity and duration from 30 seconds - 12 minutes. (Single & Twin Head)
- 270 detection and up to 50' range (TRIPLE HEAD)
- Selectable standby dimming level, when motion no longer detected light will dim down to a selected level and can be field configured from 0% to 100%

Compliance and Certifications

- UL certified for US and Canada for wet locations
- EMI/RFI emissions per FCC 47CFR Part 15B
- Contains no mercury or lead and RoHS compliant.
- Photometric testing in accordance with IES LM-79-08 Lumen maintenance projections in accordance with IES LM-80-08 and TM-21-11
- FCC Part 15 Subpart C Intentional Radiator (HALO Home SKUs only)
- ICES-005(B) Intentional Radiator
- Meets CA Prop 65
- Can be used to meet Title 24 Residential and Non-Residential

Finish

- Textured Bronze/ White Finish

Warranty

- Five year limited warranty, consult website for details. www.cooperlighting.com

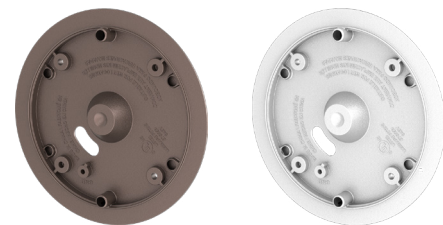
ORDER INFORMATION

Catalog Number	Description	UPC
TGS3S401FSRB	SNGL, 3K LMN SEL, 4K, FLOOD, RESI, BR	080083913169
TGS3S401FSRW	SNGL, 3K LMN SEL, 4K, FLOOD, RESI, WH	080083912971
TGS3S401DSRB	SNGL, 3K LMN SEL, 4K, D2D, RESI, BR	080083913268
TGS3S401DSRW	SNGL, 3K LMN SEL, 4K, D2D, RESI, WH	080083912995
TGS3S401MSRB	SNGL, 3K LMN SEL, 4K, MOTION, RESI, BR	080083913015
TGS3S401MSRW	SNGL, 3K LMN SEL, 4K, MOTION, RESI, WH	080083260089
TGS2S402FRRB	TWIN, 2K LMN SEL, 4K, FLOOD, RESI, RD,BR	080083913053
TGS2S402FRRW	TWIN, 2K LMN SEL, 4K, FLOOD, RESI, RD,WH	080083913374
TGS2S402DRRB	TWIN, 2K LMN SEL, 4K, D2D, RESI, RD,BR	080083913435
TGS2S402DRRW	TWIN, 2K LMN SEL, 4K, D2D, RESI, RD,WH	080083913459
TGS2S402MRRB	TWIN, 2K LMN SEL, 4K, MTN, RESI, RD,BR	080083913510
TGS2S402MRRW	TWIN, 2K LMN SEL, 4K, MTN, RESI, RD,WH	080083913534
TGS2S402MSRB	TWIN, 2K LMN SEL, 4K, MTN, RESI, SQ,BR	080083913558
TGS2S402MSRW	TWIN, 2K LMN SEL, 4K, MTN, RESI, SQ,WH	080083913572
TGS3S403FRRB	TRIP, 3K LMN SEL, 4K, FLOOD, RESI, RD,BR	080083913596
TGS3S403FRRW	TRIP, 3K LMN SEL, 4K, FLOOD, RESI, RD,WH	080083913619
TGS3S403DRRB	TRIP, 3K LMN SEL, 4K, D2D, RESI, RD,BR	080083913671
TGS3S403DRRW	TRIP, 3K LMN SEL, 4K, D2D, RESI, RD,WH	080083913695
TGS3S403MRRB	TRIP, 3K LMN SEL, 4K, MTN, RESI, RD,BR	080083256105
TGS3S403MRRW	TRIP, 3K LMN SEL, 4K, MTN, RESI, RD,WH	080083256129

Don't see a product listed here? Ask about our Made to Order options for even more configurations

ACCESSORIES (SOLD SEPARATELY)

Catalog Number	Description
TGS-KIT-MTGWH (*)	MOUNTING ADAPTER PLATE KIT TGS WHITE
TGS-KIT-MTGBZ (*)	MOUNTING ADAPTER PLATE KIT TGS BRONZE

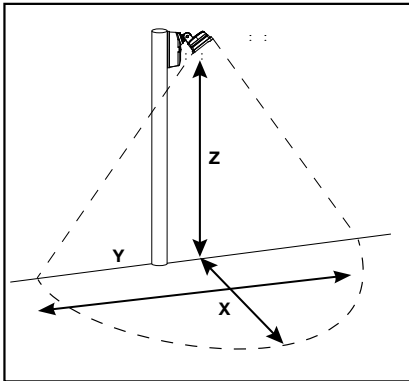


NOTE: Mounting plates are to be used in Surface Mounting applications when the Junction box is surface mounted and NOT recessed.

PHOTOMETRIC DATA

Configuration	Lamp Head Shape	SKU	Setting	Power	Lumens	Efficacy	Operation	Motion Sensor	Finish	
Single	Square	TGS3S401*SR#	Low	12	1735	149	* F - Switch Activated D - Dusk to Dawn M - Motion Activated	180° Detection Angle 50' Distance 2nd Blindspot sensor	# B - Bronze W - White	
			Med	19	2668	139				
			High	27	3507	131				
Twin	Round	TGS2S402*RR#	Low	12	1582	132				180° Detection Angle 50' Detection Distance 2nd Blindspot sensor
			Med	16	2044	126				
			High	21	2526	118				
	Square	"TGS2S402MSR# (Motion Only)"	Low	12	1748	148				
			Med	16	2262	141				
			High	21	2789	132				
Triple	Round	TGS3S403*RR#	Low	12	1680	143				270° Detection Angle 50' Detection Distance 2nd Blindspot sensor
			Med	19	2593	134				
			High	27	3296	122				

SUGGESTED MOUNTING HEIGHT



Minimum Footcandles (FC)		0.50 FC							
Mounting Height (Z)		10'		15'		20'		30'	
Catalog Number	Lumens	X	Y	X	Y	X	Y	X	Y
TGS3S401*S**	1500 2200 3000	20	40	23	45	25	50	25	50
TGS2S402*R**	1500 2000 2500	22	44	29	60	32	64	32	64
TGS2S402*S**	1500 2000 2500	24	48	34	68	35	70	35	70
TGS3S403*R**	2000 2500 3000	22	44	29	58	32	65	32	65

X = Forward Throw
Y = Wall Spread
Z = Mounting Heights

Notes:
Forward throw X = 1/2 Y for wall-mount applications only
See IES files for detailed photometry