



# ELLIOTT ELECTRIC SUPPLY

We Deliver...Lower Cost, Quality Products, & Personal Service

3804 South Street  
75964-7263, TX Nacogdoches  
Phone: 936-569-7941  
Fax: 936-560-4685



## TL8 #8 Copper Mechanical Lug *Nsi Industries*

Catalog Number	TL8
Manufacturer	Nsi Industries
Description	
Weight per unit	0.0200 (lbs/each)
Product Category	Large Terminals & Connectors

### Features

Bolt Size	3/16 IN
Material	COPPER
Number of Conductors	1 in
Number of Mounting Holes	1 in
Number of Ports	1 in
Poles	1 IN
Voltage Rating	600 VAC

### Material, Color, and Finish

Color	Copper
Finish	COPPER PLATED

### Descriptions

Description	#8 COPPER MECHANICAL LUG
Product Type	Terminal Lug 8-14 Copper
Special Features	8 STR-14 SOL - CU Only - 100 Pack

### Manufacturer Information

Brand	NSi
GTIN	00662381005700
sub brand	Mechanical Connector
UPC	662381005700

### Taxonomies, Classifications, and Categories

Category Description	SPLIT BOLTS
Type	Copper Terminal Lug

### Packaging

Carton	1
Package	100
Weight Per each	0.02



# ELLIOTT ELECTRIC SUPPLY

We Deliver...Lower Cost, Quality Products, & Personal Service

3804 South Street  
75964-7263, TX Nacogdoches  
Phone: 936-569-7941  
Fax: 936-560-4685

## Uses, Certifications, and Standards

Application	Wire Termination
environmental conditions	90 WTT
standard	UL486B
Temperature Rating	90 WTT

## Copper Terminal Lugs

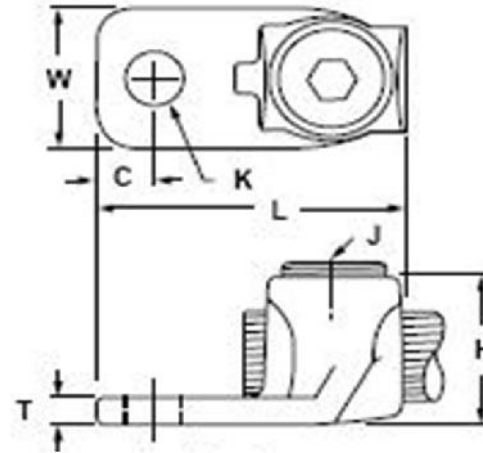


Drawn - SD

Approved - KM

Material - Cast Bronze

Title - Copper Terminal Lugs



Part Number	Wire Range Max	Wire Range Min	L	W	H	T	C	K	J
TL8	8 STR	14 SOL	0.830	0.382	0.420	0.074	0.200	0.205	0.188
TL4	4 STR	14 SOL	1.125	0.537	0.553	0.096	0.248	0.278	0.188
TL1/0	1/0 STR	4 SOL	1.584	0.723	0.792	0.090	0.370	0.315	1/4
TL250	250 MCM	1/0 STR	1.950	0.927	1.049	0.119	0.416	0.380	1/4
TL500	500 MCM	4/0 STR	2.986	1.375	1.456	0.303	0.750	0.525	3/8
TL1000	1000 MCM	500 MCM	3.992	1.985	1.945	0.356	0.742	0.557	3/8