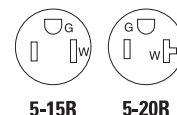


Combination USB 3.6A charger with TR duplex receptacle

Project Name:	Prepared By:
Project Number:	Date:
Catalog Number:	Type:

Description

2-Pole, 3-Wire grounding
 15A, 125V/AC, 5V/DC, 3.6A
 20A, 125V/AC, 5V/DC, 3.6A
 NEMA 5-15R, 5-20R



TR7765



TR7766

Design features

- Standard AC duplex receptacle with two USB charging ports rated at 3.6A
- Dual USB ports charges most compatible USB electronic devices
- Tamper resistant shutters provide compliance with 2014 NEC® Article 406.12 that states that all 15A and 20A, 125V receptacles installed in dwelling units must be tamper resistant
- Replaces a standard duplex receptacle
- Automatic grounding system eliminates need for bonding jumper in grounded metal enclosure, provides redundant measure of ground continuity where jumper is used
- Thermoplastic top and back-body are virtually unbreakable to deliver years of durable performance
- Steel mounting strap is zinc plated for added corrosion resistance
- Convenient patented built-in wire strippers speed installation

Table 1. USB 3.6A charger with TR duplex receptacles, pre-stripped wire leads

Catalog no.	Description	A	Rating			Color suffix
			V/AC	Amp	V/DC	
<input type="checkbox"/> TR7765__	3.6A USB charger with tamper resistant duplex receptacle	15	125	3.6	5	B, BK, GY, LA, V, W
<input type="checkbox"/> TR7766__	3.6A USB charger with tamper resistant duplex receptacle	20	125	3.6	5	B, BK, GY, LA, V, W

Compliances, specifications and availability are subject to change without notice.



Powering Business Worldwide

Project Name:	Prepared By:
Project Number:	Date:
Catalog Number:	Type:

Applications

Eaton's USB 3.6A duplex receptacle offers fast, efficient, and adapter-less charging of electronic devices in residential and commercial environments. The receptacle eliminates clutter by presenting adapter-free charging for all compatible electronic devices, while simultaneously providing charge for up to two devices rated at 3.6A charging capacity. The product allows for easy installation by leveraging Eaton's convenient patented built-in wire strippers. Designed to be child-safe, the receptacle is designed with tamper-resistant shutters that comply with 2014 NEC® Article 406.12

Table 2. Specifications

Catalog no.	TR7765 & TR7766 Series
Device type	USB 3.6A combination charger with tamper resistant duplex receptacle
Wiring type	Screw terminals/side and back wire
Testing & code compliance	cULus Listed to UL498 and UL1310, File no. E15058
Environmental specifications	Flammability: Meets UL94 requirements; V2 rated Temperature rating: -20°C to 60°C (-4°F to 140°F)
Electrical specifications: AC output	Dielectric voltage: Receptacle withstands 2000V per UL498 Temperature rise: Receptacle - max. 30°C (86°F) after 100 cycles of overload @ 150% of rated current (DC)
Electrical specifications: DC output	Switching frequency: Typical 140 kHz Output voltage: Nominal 5V (+/- 10%) Protection: Current limiting and thermal shutdown protection Output current: Constant current maximum 3.6A
Mechanical specifications	Terminations: Device can be wired using #14 or #12 AWG wires, #14 AWG for TR7765 and #12 AWG for TR7766

Table 3. Materials

Catalog no.	TR7765 & TR7766 Series
Top housing	PC
Bottom housing	PBT
Strap	0.042" thick steel, zinc plated
Auto ground clip	Phosphor bronze
Line contacts	0.030" thick brass
Ground contact	0.014" thick brass
Terminal screws	#8-32 steel, Line screw - Zinc plated; Neutral screw - Nickel plated; Ground screw - Zinc plated; Green
Tamper resistant	Reliable Delrin® shutter assembly

Table 4. Color ordering information

For ordering devices, include Cat. no. followed by the color suffix: B (Brown), BK (Black), GY (Gray), LA (Light Almond), RB (Oil Rubbed Bronze), SG (Silver Granite), V (Ivory), W (White)

B	BK	GY	LA	RB	SG	V	W
Brown	Black	Gray	Lt. Almond	Oil Rubbed Bronze	Silver Granite	Ivory	White

Project Name:	Prepared By:
Project Number:	Date:
Catalog Number:	Type:

Product Dimensions

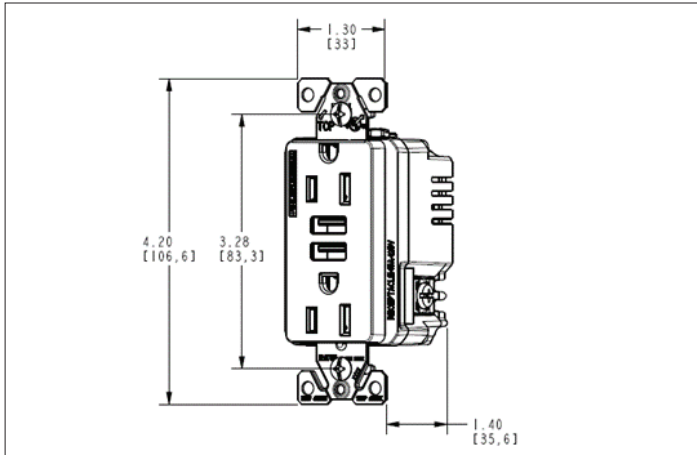


Figure 1. TR7765

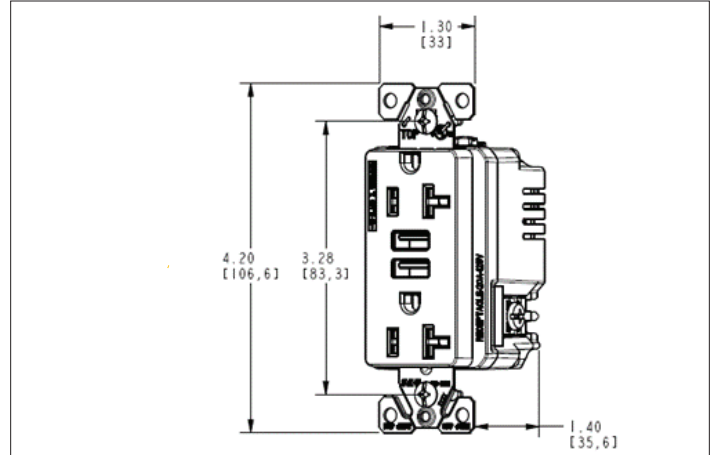
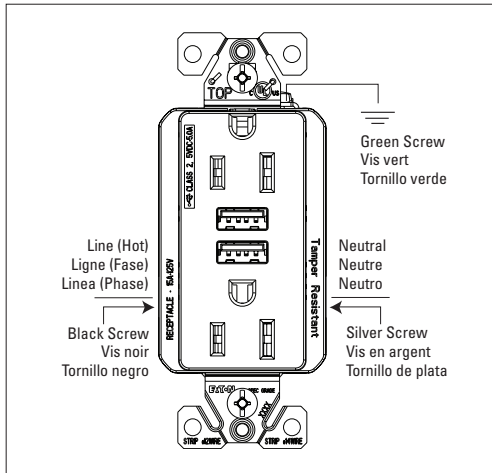


Figure 2. TR7766

Wiring Diagram



Certifications & Compliances

Catalog no.	cULus	NOM 426
TR7765	•	•
TR7766	•	•

KEY: cULus cULus NOM 426 NOM

Compliances, specifications and availability are subject to change without notice.

Electrical Sector
203 Cooper Circle
Peachtree City, GA 30269
United States
Eaton.com
Eaton.com/wiringdevices

Electrical Sector
Canada Operations
5925 McLaughlin Road
Mississauga, Ontario, L5R 1B8
Canada
EatonCanada.ca
Eaton.com/wiringdevices

Electrical Sector
Mexico Operations
Carr. Tlalpan -
Cuautitlan Km 17.8 s/n
Col. Villa Jardin esq.
Cerrada 8 de Mayo
Cuautitlan, Mexico CP 54800
Mexico
Eaton.mx
Eaton.com/wiringdevices