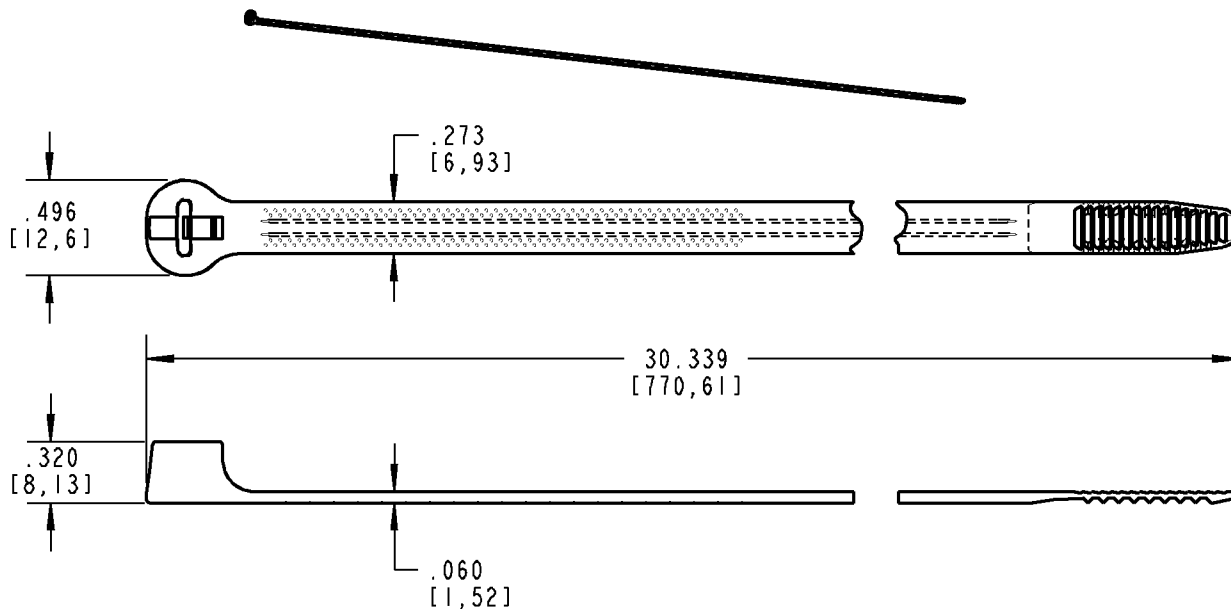




Ty-Rap



NOTES:

1. MATERIAL CONFORMS TO ASTM D4066 PA11
2. MAXIMUM BUNDLE DIAMETER: 9.000 [228.6]
3. TENSILE RATING: 120 LBS [534 N]
4. OPERATING TEMPERATURE RANGE: -40°F [-40°C] TO 185°F [85°C]
5. INSTALLATION TOOL/SETTING: WT197/5-8 (MS90387-2)

| CATALOG NUMBER | MATERIAL | COLOR | MILITARY STANDARD TYPE 1 CLASS 1 |
|----------------|-------------------------|---------|----------------------------------|
| TY29M* | NYLON 6,6 | NATURAL | MS3367-6-* |
| TY29MX | WEATHER RESISTANT NYLON | BLACK | MS3367-6-0 |

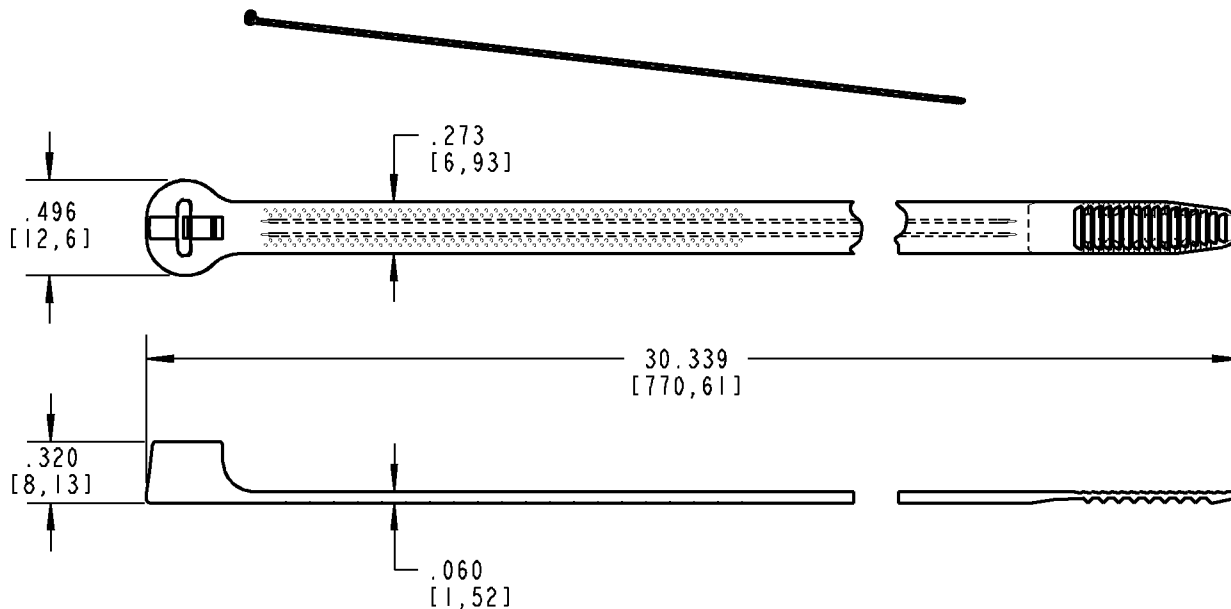
STANDARD PACKAGE QUANTITY IS 50,
ADDITIONAL PACK QUANTITIES AVAILABLE UPON REQUEST

| * COLORS AVAILABLE (ADD SUFFIX TO END OF CAT. NO.) | |
|---|-------------|
| -0 = BLACK | -5 = GREEN |
| -1 = BROWN | -6 = BLUE |
| -2 = RED | -7 = PURPLE |
| -3 = ORANGE | -8 = GRAY |
| -4 = YELLOW | -9 = WHITE |

| | | | | | |
|---|--|---|---------------|----------|-------------------|
| GENERAL NOTES | | Thomas & Betts <small>www.tnb.com</small> | | | |
| 1. ALL DIMENSIONS ARE FOR REFERENCE ONLY. 2. DIMENSIONS IN BRACKETS [] ARE IN METRIC UNITS. | | | | | |
| REVISIONS | | DESCRIPTION: SELF-LOCKING CABLE TIE (TY29M SERIES) | | | |
| ** SEE ERN (****) FOR APPROVAL SIGNATURES & RELEASE DATE. PROJECT NO: **** | | ORIGINAL PROJECT NO / (ERN NO) | SHEET NO: | REV. NO: | DRAWING NO: |
| | | FM401183 / (2006909) | 1 OF 1 | - | WSD-000280 |



Ty-Rap



NOTES:

1. MATERIAL CONFORMS TO ASTM D4066 PA11
2. MAXIMUM BUNDLE DIAMETER: 9.000 [228.6]
3. TENSILE RATING: 120 LBS [534 N]
4. OPERATING TEMPERATURE RANGE: -40°F [-40°C] TO 185°F [85°C]
5. INSTALLATION TOOL/SETTING: WT197/5-8 (MS90387-2)

| CATALOG NUMBER | MATERIAL | COLOR | MILITARY STANDARD TYPE 1 CLASS 1 |
|----------------|-------------------------|---------|----------------------------------|
| TY29M* | NYLON 6,6 | NATURAL | MS3367-6-* |
| TY29MX | WEATHER RESISTANT NYLON | BLACK | MS3367-6-0 |

STANDARD PACKAGE QUANTITY IS 50,
ADDITIONAL PACK QUANTITIES AVAILABLE UPON REQUEST

| * COLORS AVAILABLE (ADD SUFFIX TO END OF CAT. NO.) | |
|---|-------------|
| -0 = BLACK | -5 = GREEN |
| -1 = BROWN | -6 = BLUE |
| -2 = RED | -7 = PURPLE |
| -3 = ORANGE | -8 = GRAY |
| -4 = YELLOW | -9 = WHITE |

| | | | | | |
|---|--|---|-----------|----------|-------------------|
| GENERAL NOTES | | Thomas & Betts <small>www.tnb.com</small> | | | |
| 1. ALL DIMENSIONS ARE FOR REFERENCE ONLY. 2. DIMENSIONS IN BRACKETS [] ARE IN METRIC UNITS. | | | | | |
| REVISIONS | | DESCRIPTION: SELF-LOCKING CABLE TIE (TY29M SERIES) | | | |
| ** SEE ERN (****) FOR APPROVAL SIGNATURES & RELEASE DATE. PROJECT NO: **** | | ORIGINAL PROJECT NO / (ERN NO) | SHEET NO: | REV. NO: | DRAWING NO: |
| | | FM401183 / (2006909) | 1 OF 1 | - | WSD-000280 |