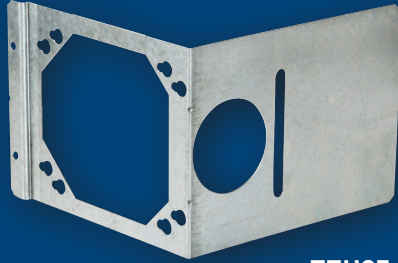
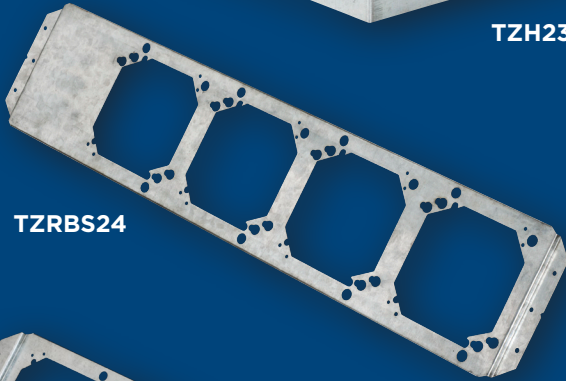


TZH6



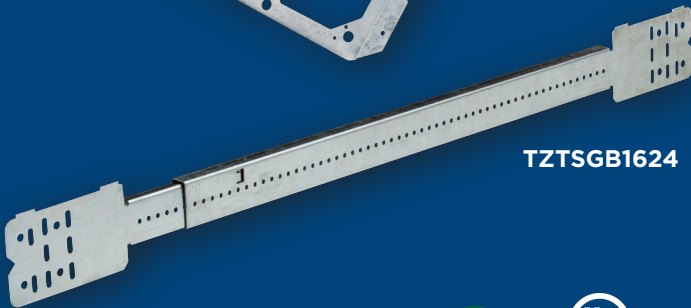
TZH23



TZRBS24



TZRBS16



TZTSGB1624



Item#	UPC	Description	Ship Case
TZH23	01907	Bracket to Stud 2-1/2" & 3-5/8" Depth	50
TZH6	01913	Bracket to Stud 2-1/2" to 6" Wall Depth	50
TZRBS16	01909	3 Device Rigid Box Support 1-1/2" & 2-1/8" Box Depth	20
TZRBS24	01908	4 Device Rigid Box Support 1-1/2" & 2-1/8" Box Depth	20
TZTSGB1624	01912	Telescoping Box Bracket 14-1/4" to 24-1/4"	50

STEEL BOX SUPPORTS



The easiest ^{and friendliest} company to do business with
www.topaz-usa.com

Topaz's Steel Box Supports

Available in 3 different styles, designed to easily attach boxes to stud wall. Choose from single, multiple and expandable box options with various stud and box wall depths. Topaz's steel box supports are used in most commercial electrical projects.

Features & Applications

- UL Listed
- Made of galvanized steel
- Used with a variety of box sizes
- Easy installation
- Used to support electrical boxes

TZTSGB1624

Telescoping Screw Gun Box Bracket is adjustable for non-standard spacing.

Telescoping Screw Gun Box Bracket

- Notched and marked allows for easy identification and bending
- Pilot holes for easy box attachment
- Can be mounted to face or inside of stud
- Adjustable for non-standard stud spacing
- Expandable 14-1/4" to 24-1/4"
- Box depth: 1-1/2", 2-1/8" and 2-1/2"
- Topaz's telescoping box bracket allows easy installation of electrical boxes between wall studs, requires only a screw gun to install

Bracket to Stud

- Easily attach 4" and 4-11/16" boxes to stud wall
- Built in far-side support
- Stud wall depth: 2-1/2" to 3-5/8" & 2-1/2" to 6"
- Use to support electrical boxes mounted to metal or wood studs
- Can be pre-assembled with boxes

TZH6
TZH23

Bracket to Stud has built in far-side support.

Rigid Box Supports

- For use with 4" and 4-11/16" outlet boxes
- Suitable for 1-1/2" and 2-1/8" deep boxes
- Supports single or multiple boxes or plaster rings or low voltage devices
- Secure multiple boxes using one bracket 16" supports up to 3 boxes and 24" supports up to 4 boxes

Rigid Box Supports can support multiple boxes with 1-1/2" & 2-1/8" box depth.

TZRBS16
TZRBS24