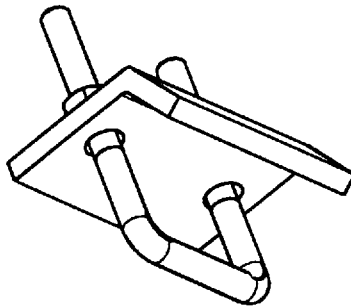
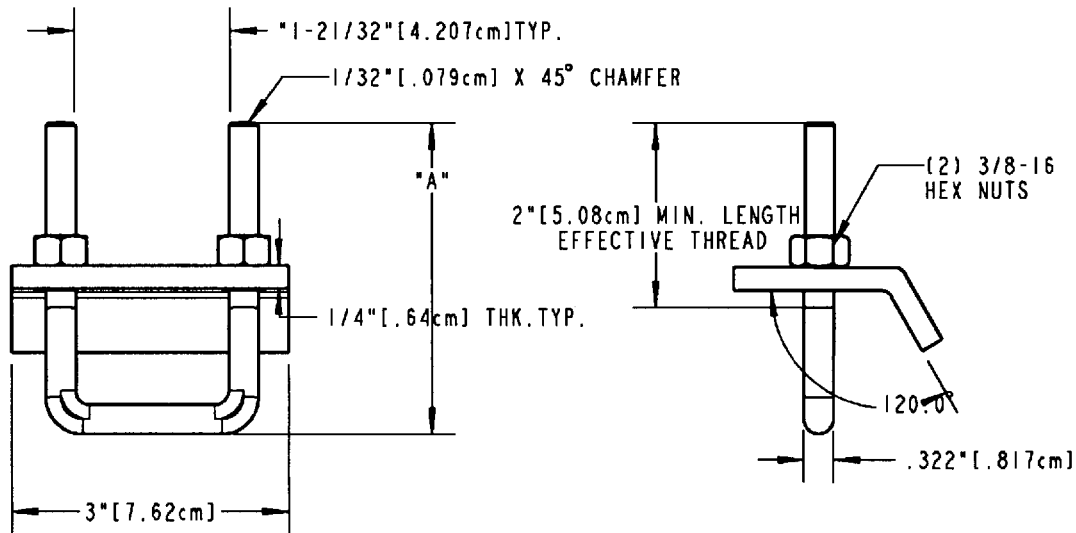


# Kindorf



017				
016	U-503 SS	TYPE 304 STAINLESS STEEL	NONE	3-3/8" [8.57cm]
015	U-503 HDG	TYPE 304 STAINLESS STEEL	HOT-DIPPED GALVANIZED	3-3/8" [8.57cm]
014	U-503 EG	H.R. LOW CARBON STEEL A.I.S.I. C-1008	ELECTROGALVANIZED	3-3/8" [8.57cm]
013	U-503	H.R. LOW CARBON STEEL A.I.S.I. C-1008	GOLD-GALV.	3-3/8" [8.57cm]
012				
010	U-502 S	TYPE 304 STAINLESS STEEL	NONE	5" [12.7cm]
009	U-502 HDG	TYPE 304 STAINLESS STEEL	HOT-DIPPED GALVANIZED	5" [12.7cm]
008	U-502 EG	H.R. LOW CARBON STEEL A.I.S.I. C-1008	ELECTROGALVANIZED	5" [12.7cm]
007	U-502	H.R. LOW CARBON STEEL A.I.S.I. C-1008	GOLD-GALV.	5" [12.7cm]
006				
005	2HCJ4 (GRAINGER)	TYPE 304 STAINLESS STEEL	NONE	3-1/4" [8.25cm]
004	U-501 SS	TYPE 304 STAINLESS STEEL	NONE	3-1/4" [8.25cm]
003	U-501 HDG	TYPE 304 STAINLESS STEEL	HOT-DIPPED GALVANIZED	3-1/4" [8.25cm]
002	U-501 EG	H.R. LOW CARBON STEEL A.I.S.I. C-1008	ELECTROGALVANIZED	3-1/4" [8.25cm]
001	U-501	H.R. LOW CARBON STEEL A.I.S.I. C-1008	GOLD-GALV.	3-1/4" [8.25cm]
ITEM	DESCRIPTION	MATERIAL	FINISH	DIM A

## GENERAL NOTES

- ALL DIMENSIONS ARE FOR REFERENCE ONLY.
- DIMENSIONS IN BRACKETS [ ] ARE IN METRIC UNITS.

## REVISIONS

SEE ERN ( 2009453 )  
FOR APPROVAL SIGNATURES  
& RELEASE DATE.  
PROJECT NO: NM400367

**Thomas & Betts**  
www.tnb.com

DESCRIPTION:

## BEAM CLAMP FOR STRUCTURAL CHANNEL

ORIGINAL PROJECT NO / ( ERN NO )

SHEET NO:

REV. NO:

DRAWING NO:

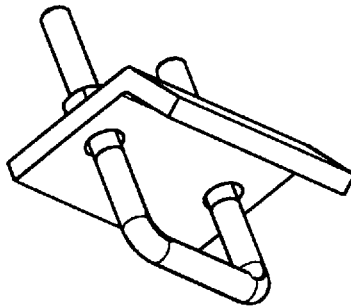
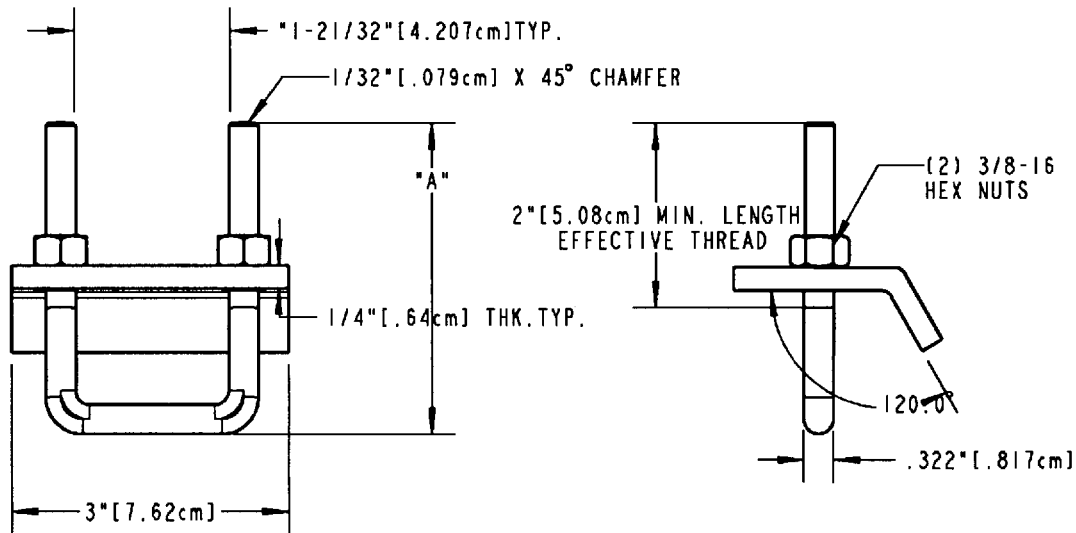
NM400367 / ( 2009453 )

1 OF 1

-

**WSD-000395**

# Kindorf



017				
016	U-503 SS	TYPE 304 STAINLESS STEEL	NONE	3-3/8" [8.57cm]
015	U-503 HDG	TYPE 304 STAINLESS STEEL	HOT-DIPPED GALVANIZED	3-3/8" [8.57cm]
014	U-503 EG	H.R. LOW CARBON STEEL A.I.S.I. C-1008	ELECTROGALVANIZED	3-3/8" [8.57cm]
013	U-503	H.R. LOW CARBON STEEL A.I.S.I. C-1008	GOLD-GALV.	3-3/8" [8.57cm]
012				
010	U-502 S	TYPE 304 STAINLESS STEEL	NONE	5" [12.7cm]
009	U-502 HDG	TYPE 304 STAINLESS STEEL	HOT-DIPPED GALVANIZED	5" [12.7cm]
008	U-502 EG	H.R. LOW CARBON STEEL A.I.S.I. C-1008	ELECTROGALVANIZED	5" [12.7cm]
007	U-502	H.R. LOW CARBON STEEL A.I.S.I. C-1008	GOLD-GALV.	5" [12.7cm]
006				
005	2HCJ4 (GRAINGER)	TYPE 304 STAINLESS STEEL	NONE	3-1/4" [8.25cm]
004	U-501 SS	TYPE 304 STAINLESS STEEL	NONE	3-1/4" [8.25cm]
003	U-501 HDG	TYPE 304 STAINLESS STEEL	HOT-DIPPED GALVANIZED	3-1/4" [8.25cm]
002	U-501 EG	H.R. LOW CARBON STEEL A.I.S.I. C-1008	ELECTROGALVANIZED	3-1/4" [8.25cm]
001	U-501	H.R. LOW CARBON STEEL A.I.S.I. C-1008	GOLD-GALV.	3-1/4" [8.25cm]
ITEM	DESCRIPTION	MATERIAL	FINISH	DIM A

## GENERAL NOTES

- ALL DIMENSIONS ARE FOR REFERENCE ONLY.
- DIMENSIONS IN BRACKETS [ ] ARE IN METRIC UNITS.

## REVISIONS

SEE ERN ( 2009453 ) FOR APPROVAL SIGNATURES & RELEASE DATE.  
PROJECT NO: NM400367

**Thomas & Betts**  
www.tnb.com

DESCRIPTION:

## BEAM CLAMP FOR STRUCTURAL CHANNEL

ORIGINAL PROJECT NO / ( ERN NO )	SHEET NO:	REV. NO:	DRAWING NO:
NM400367 / ( 2009453 )	1 OF 1	-	WSD-000395