

| | | | | | |
|-------------|--|-----------|--|------|--|
| Project | | Catalog # | | Type | |
| Prepared by | | Notes | | Date | |



Metalux

UHBS Selectable High Bay

LED Round High Bay with Selectable CCT and Lumen

Typical Applications

Industrial • Commercial • Retail • Manufacturing • Warehouse • Gymnasium ⁽¹⁾
Multi-purpose • Grocery • High Bay / Low Bay Applications

Note: (1) Rigid Stem mount not recommended for use in gymnasiums.

Interactive Menu

- Energy and Performance Data [page 2](#)
- Photometric Data [page 3](#)
- Sensor Coverage [page 4](#)
- Product Warranty

Product Certification



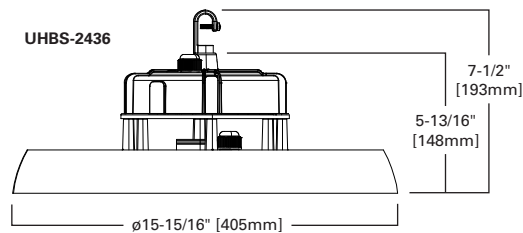
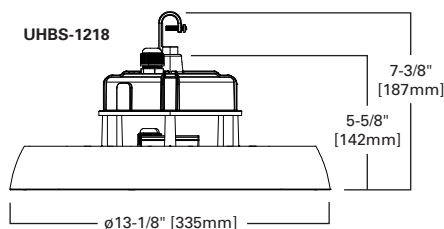
Product Features



Top Product Features

- Selectable Lumen/Power performance packages
- 4000K/5000K Selectable CCT color
- Sensor ready port for quick plug and play install
- Compact, 13" and 15" round die cast aluminum housing
- 120-347 volt operating range
- 0-10V dimming control down to 10%
- IK08 lens with IP65 rated lens and driver enclosure

Dimensional and Mounting Details



Energy and Performance Data

| Catalog# | UPC | Voltage | Lumen Setting | Nominal CCT | CRI | 120V | | | 277V | | | 347V | | |
|-----------------------|--------------|----------|---------------|-------------|-----|----------------|-------|-----------------|----------------|-------|-----------------|----------------|-------|-----------------|
| | | | | | | Nominal Lumens | Watts | Efficacy (lm/W) | Nominal Lumens | Watts | Efficacy (lm/W) | Nominal Lumens | Watts | Efficacy (lm/W) |
| UHBS-1218-MV-L84050-U | 080083256471 | 120-347V | Low | 4000K | 82 | 13134 | 82.0 | 160 | 12966 | 81.3 | 159 | 12896 | 81.3 | 159 |
| | | | | 5000K | 82 | 13264 | 82.4 | 161 | 13053 | 81.6 | 160 | 13037 | 81.7 | 160 |
| | | | Medium | 4000K | 82 | 16168 | 105.1 | 154 | 15952 | 102.1 | 156 | 15886 | 101.9 | 156 |
| | | | | 5000K | 82 | 16265 | 105.5 | 154 | 16045 | 102.6 | 156 | 15976 | 102.4 | 156 |
| | | | High | 4000K | 82 | 18353 | 120.1 | 153 | 18567 | 122.0 | 152 | 18550 | 122.0 | 152 |
| | | | | 5000K | 82 | 18402 | 120.7 | 152 | 18728 | 123.0 | 152 | 18669 | 122.6 | 152 |
| UHBS-2436-MV-L84050-U | 080083256488 | 120-347V | Low | 4000K | 82 | 24825 | 152.8 | 162 | 24765 | 149.8 | 165 | 24617 | 149.4 | 165 |
| | | | | 5000K | 82 | 24998 | 153.8 | 163 | 24867 | 150.3 | 165 | 24827 | 150.4 | 165 |
| | | | Medium | 4000K | 82 | 31056 | 202.3 | 154 | 31275 | 196.2 | 159 | 30998 | 194.2 | 160 |
| | | | | 5000K | 82 | 31162 | 201.6 | 155 | 31313 | 195.4 | 160 | 31011 | 195.1 | 159 |
| | | | High | 4000K | 82 | 36952 | 244.2 | 151 | 36216 | 235.0 | 154 | 36117 | 234.5 | 154 |
| | | | | 5000K | 82 | 37167 | 245.5 | 151 | 36462 | 236.6 | 154 | 36189 | 235.5 | 154 |

Lumen Maintenance

| Ambient Temperature | TM-21 Lumen Maintenance (60,000 hours) | Theoretical L70 (hours) |
|---------------------|--|-------------------------|
| 25°C | > 91% | > 218,000 |

Ambient Ratings

| Lumen Package | Ambient Rating |
|---------------|----------------|
| UHBS-1218 | 50C |
| UHBS-2436 | 50C |

Energy Data

| Input Watts: |
|--------------------------|
| UHBS-1218 = 80/100/120W |
| UHBS-2436 = 150/200/240W |

Shipping Data

| Catalog No. | Wt. |
|-------------|-----------|
| UHBS-1218 | 8 lbs. |
| UHBS-2436 | 11.3 lbs. |

Accessory List (Coming Soon)

| Catalog Number | Description | Unit Carton UPC |
|--------------------|---------------------------------|-----------------|
| UHBS-SENSOR PK | PIR Sensor 360 Lens 60FT MH Kit | 080083257898 |
| UHBS SENSOR REMOTE | UHBS Sensor Remote Control | 080083260249 |



SENSOR
Plug in sensor

Product Specifications

Construction

- Diecast aluminum housing and heatsink for durability
- Polycarbonate lens seals LED for IP65 rating
- Lens is IK08 rated

Electrical

- Long-life LED system with electronic driver for optimal performance
- Selectable power switch for 3 levels of lumen output per model
- Selectable color switch provides 4000 or 5000K CCT at CRI >82
- Multi-volt 120 through 347V operation
- 0-10V dimming, 10% standard
- 7ft (86") long power and dimming cord provided for easier installation
- Integral 4K surge protector
- Operating temperature of -40°C to 50°C

Finish

- White polyester powder coat finish painted after fabrication

Optics

- Medium distribution standard

Mounting

- 1/2" threaded hub for optional stem mount
- Mounting hook included for easy retrofit install
- Safety cable (1FT) included

Compliance

- cULus listed for wet location
- NEMA 4X, IP65 rated
- IESNA LM-79 and LM-80 standards compliant
- Qualifies as State of California Title 24 non-residential high efficiency luminaire
- FCC part 15 class A compliant
- DesignLights Consortium® Qualified and classified for DLC Premium, refer to www.designlights.org for details.

Sensor

- Plug and play low-voltage sensor accessory available
- Sensor installs directly to integral fixture port
- PIR motion sensor with 0-10V control
- Wet location and IP65 rated
- Up to 45ft mounting height
- Sensor remote control must be ordered separately

Emergency Pack Option

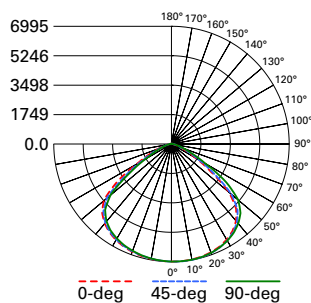
- 120-347V universal input remote emergency driver accessory available
- Field installed EM driver wires directly to fixture
- 90-minute batteries provide constant power to the LED system
- Test switch/indicator button can be tested safely from the ground using remote control
- EM remote control included with accessory
- Accessory comes with grommets and mounting hardware, see EM driver spec sheet.

Warranty

- Five year limited warranty

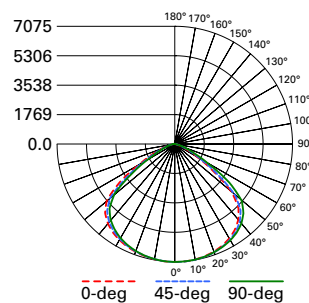
Photometric Data

[View IES files](#)



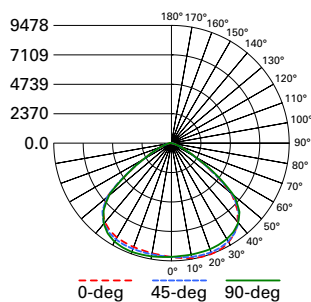
UHBS-18-MV-L840-U-277

Electronic Driver
 Round Select LED 4000K
 Spacing criterion: (II) 1.4 x mounting height, (⊥) 1.4 x mounting height
 Lumens: 18567
 Input Watts: 122W
 Efficacy: 152.2 LPW
 Test Report: UHBS-18-MV-L840-U-277.IES



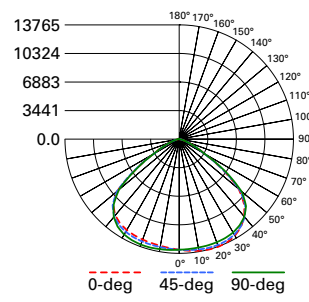
UHBS-18-MV-L850-U-277

Electronic Driver
 Round Select LED 5000K
 Spacing criterion: (II) 1.4 x mounting height, (⊥) 1.4 x mounting height
 Lumens: 18728
 Input Watts: 123W
 Efficacy: 152.3 LPW
 Test Report: UHBS-18-MV-L850-U-277.IES



UHBS-24-MV-L840-U-277

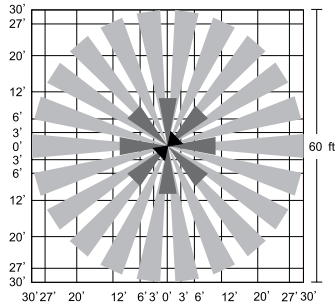
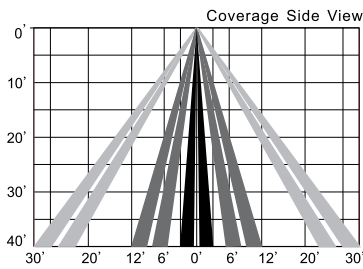
Electronic Driver
 Round Select LED 4000K
 Spacing criterion: (II) 1.46 x mounting height, (⊥) 1.46 x mounting height
 Lumens: 24765
 Input Watts: 149.8W
 Efficacy: 165.3 LPW
 Test Report: UHBS-24-MV-L840-U-277.IES



UHBS-36-MV-L840-U-277

Electronic Driver
 Round Select LED 4000K
 Spacing criterion: (II) 1.45 x mounting height, (⊥) 1.46 x mounting height
 Lumens: 36216
 Input Watts: 235W
 Efficacy: 154.1 LPW
 Test Report: UHBS-36-MV-L840-U-277.IES

Sensor Coverage



Sensor Specifications

| | |
|------------------------|--|
| Power supply | 12V-24V DC, >30mA |
| Dim control output | 0-10V, max. 25mA sinking current |
| Remote range | 50ft. (15m) indoor, no backlight |
| Dim control output | 0-10V |
| Detection radius | 20% / 50% / 75% / 100% (1-8m) |
| Mounting height | Max 45ft. (13.7 meters) |
| Time setting | 10s / 1 min / 5 min / 10 min / 15 min / 20 min / 30 min / 60 min |
| Light-control | 24H / 10 LUX / 30 LUX / 50 LUX |
| Sensor Operating Temp. | -40°F ~+ 158°F (-40°C ~+ 70°C) |
| IP rating | IP65 |

Notes: Warm up time 40 sec after sensor first receives input power. Fixture will stay on 40 seconds then work move to default mode.
 Any setting changed by sensor remote control (order remote separately), will cause Led lights on remote to blink on and off to confirm settings.
 See sensor instruction sheet on UHBS product page found on www.cooperlighting.com

Sensor Modes

| | Brightness | Sensitivity | Hold Time | Daylight Sensor | Stand-by Dim | Stand-by Period |
|-------------------------|------------|-------------|-----------|-----------------|--------------|-----------------|
| MODE 1 (Default) | 100% | 75% | 5 min | Disabled | 30% | 30 min |
| MODE 2 | 100% | 75% | 1 min | Disabled | 30% | |
| MODE 3 | 100% | 75% | 5 min | 30LUX | 30% | 30 min |
| MODE 4 | 100% | 75% | 1 min | (30LUX/300LUX) | 30% | |