



Mark III

MARK III MAG BALLAST (2) F96T12/HO 277V

Available for many linear fluorescent lamp types sold today, including Rapid Start, Slimline, High Output and Very High Output. Magnetic ballasts can be used in any application where these lamps are used.

Product data

• General Characteristics

Lamp Type	F96T12/HO
Number of Lamps	2 piece
Input Voltage	277 V
Input Current (Operating)	0.87 A
Line Frequency	60 Hz
Lamp Footage(for sign ballast)	-
Ballast Type	Magnetic Fluorescent
Base Model	V2S110TP
Housing	R9
Housing Dimensions	11.75" x 3.19" x 2.63"
Housing Material	Metal
Suitable for Outdoor use?	Yes
Starting Method	Rapid Start
Family Name	Mark III

• Operating Characteristics

Automatic restart	Yes
Ignition time	1 s
Input Power Gear	232 W
Ballast factor	0.9 -
Ballast Efficacy Factor	0.39 -
Power Factor	0.983
Lamp Current Crest Factor	1.7 -
Sound Rating	C
Max THD	20 %

• Wiring Characteristics

Wire Striplength	0.50/0.375 mm
Lamp Connection	Series
Wire Gauge	18AWG

Wire Length by Color	See data sheet
Wire Type	Solid
Allowed Wiring Config(Remote)	Yes
Allowed Wiring Config(Tandem)	Yes
Allowed Wiring Config(Through)	Yes
Max Dist. Ball to Lamp(Remote)	15'
Max Dist. Ball to Lamp(Tandem)	Any = 15'
Max Dist. Ball to Lamp(Through)	Any = 15'

• System Chars on driver level

Rated Lamp Watts	110W
------------------	------

• Product Dimensions

Length A1	11.75 in
Length A2	11.14 in
Width B1	3.19 in
Height C1	2.63 in

• Approval & Application Chars

EMC Immunity	FCC Non-Consumer
Approbation Marks	UL, CSA, RoHS
UL Listed	Yes
CSA certificate	Yes
CEC Listing	No
Circle E logo	Yes
CSA E	Yes
cUL certificate	No

PHILIPS

Mark III

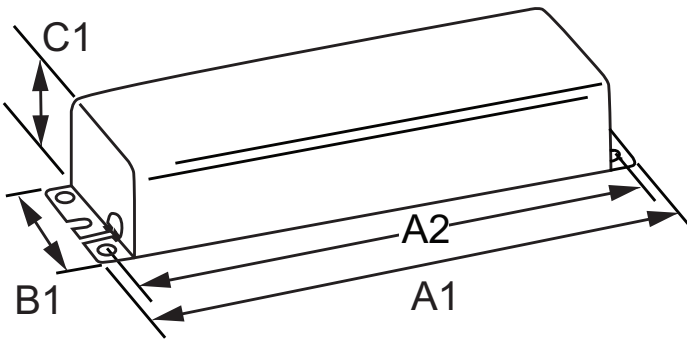
DOE	Yes
FIDE Certificate	No
NOM certificate	No
RoHS Compliant	Yes
SASO Certificate	No
UL Recognized	No

Full product name	MAG BALLAST (2) F96T12/HO 277V
Short product name	MAG BALLAST (2) F96T12/HO 277V
Pieces per Sku	1
eop_pck_cfg	6
Skus/Case	6
Bar code on pack	781087107522
Bar code on case	30781087107523
Logistics code(s)	913710314201
eop_net_weight_pp	5.185 kg

• Product Data

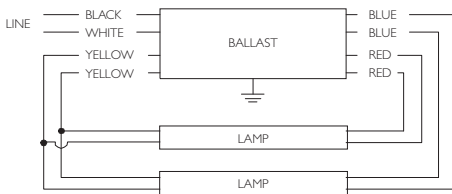
Product number	V2S110TPI
----------------	-----------

Dimensional drawing



MARK III MAG BALLAST (2) F96T12/HO 277V

Product	A1 (Norm)	A2 (Norm)	B1 (Norm)	C1 (Norm)	D1 (Norm)
MAG BALLAST (2) F96T12/HO 277V	11.75	11.14	3.19	2.63	-



© 2014 Koninklijke Philips N.V. (Royal Philips)
All rights reserved.

Specifications are subject to change without notice. Trademarks are the property of Koninklijke Philips N.V. (Royal Philips) or their respective owners.

www.philips.com/lighting

2014, February 1
data subject to change



Mark III

MARK III MAG BALLAST (2) F96T12/HO 277V

Available for many linear fluorescent lamp types sold today, including Rapid Start, Slimline, High Output and Very High Output. Magnetic ballasts can be used in any application where these lamps are used.

Product data

• General Characteristics

Lamp Type	F96T12/HO
Number of Lamps	2 piece
Input Voltage	277 V
Input Current (Operating)	0.87 A
Line Frequency	60 Hz
Lamp Footage(for sign ballast)	-
Ballast Type	Magnetic Fluorescent
Base Model	V2S110TP
Housing	R9
Housing Dimensions	11.75" x 3.19" x 2.63"
Housing Material	Metal
Suitable for Outdoor use?	Yes
Starting Method	Rapid Start
Family Name	Mark III

• Operating Characteristics

Automatic restart	Yes
Ignition time	1 s
Input Power Gear	232 W
Ballast factor	0.9 -
Ballast Efficacy Factor	0.39 -
Power Factor	0.983
Lamp Current Crest Factor	1.7 -
Sound Rating	C
Max THD	20 %

• Wiring Characteristics

Wire Striplength	0.50/0.375 mm
Lamp Connection	Series
Wire Gauge	18AWG

Wire Length by Color	See data sheet
Wire Type	Solid
Allowed Wiring Config(Remote)	Yes
Allowed Wiring Config(Tandem)	Yes
Allowed Wiring Config(Through)	Yes
Max Dist. Ball to Lamp(Remote)	15'
Max Dist. Ball to Lamp(Tandem)	Any = 15'
Max Dist. Ball to Lamp(Through)	Any = 15'

• System Chars on driver level

Rated Lamp Watts	110W
------------------	------

• Product Dimensions

Length A1	11.75 in
Length A2	11.14 in
Width B1	3.19 in
Height C1	2.63 in

• Approval & Application Chars

EMC Immunity	FCC Non-Consumer
Approbation Marks	UL, CSA, RoHS
UL Listed	Yes
CSA certificate	Yes
CEC Listing	No
Circle E logo	Yes
CSA E	Yes
cUL certificate	No

PHILIPS

Mark III

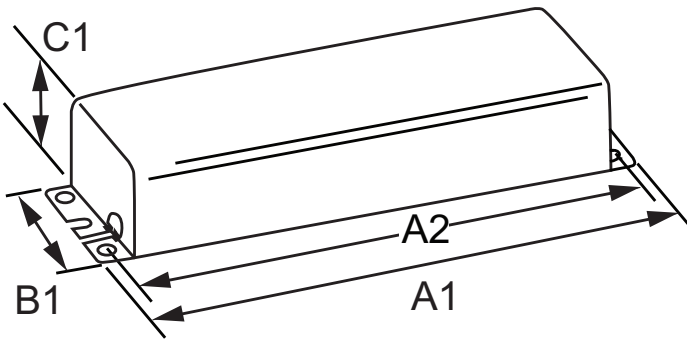
DOE	Yes
FIDE Certificate	No
NOM certificate	No
RoHS Compliant	Yes
SASO Certificate	No
UL Recognized	No

Full product name	MAG BALLAST (2) F96T12/HO 277V
Short product name	MAG BALLAST (2) F96T12/HO 277V
Pieces per Sku	1
eop_pck_cfg	6
Skus/Case	6
Bar code on pack	781087107522
Bar code on case	30781087107523
Logistics code(s)	913710314201
eop_net_weight_pp	5.185 kg

• Product Data

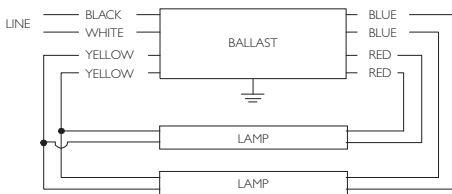
Product number	V2S110TPI
----------------	-----------

Dimensional drawing



MARK III MAG BALLAST (2) F96T12/HO 277V

Product	A1 (Norm)	A2 (Norm)	B1 (Norm)	C1 (Norm)	D1 (Norm)
MAG BALLAST (2) F96T12/HO 277V	11.75	11.14	3.19	2.63	-



© 2014 Koninklijke Philips N.V. (Royal Philips)
All rights reserved.

Specifications are subject to change without notice. Trademarks are the property of Koninklijke Philips N.V. (Royal Philips) or their respective owners.

www.philips.com/lighting

2014, February 1
data subject to change