

VAPORTITE® V SERIES

ENCLOSED/GASKETED

Cat. #		Approvals
Job	Type	



APPLICATIONS

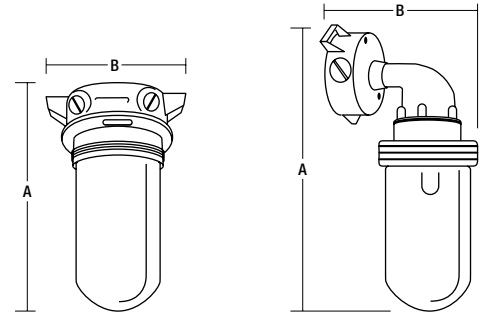
- For wet and dirty environments where enclosed/gasketed fixtures are needed.

SPECIFICATIONS

- Cover selections include pendant, ceiling, bracket and stanchion mounting.
- Modular design permits selection of cover, body, globe, guard and reflector for custom applications.
- Threaded hubs for attachment to conduit and set screws provided in pendant covers.
- Two size housings for 150W and 300W max.
- Glass globe is standard, tempered glass globe available; clear polycarbonate limited to 75W max.; colored globes available.
- Body/Guard is copper-free (<0.4%) cast aluminum.
- Reflector is white Poly-Pro® plastic.
- Medium lamp base.
- Gray polyester powder paint.

LISTINGS

- UL1598 listed for damp location.
- NEMA 3,4 (when used with VXFC body and tempered globe).
- UL844: Class I, Division 2, Groups A, B, C, D (VXFC only).
- Up to 40°C ambient temperature



150 Series

A	B
8 ⁹ / ₁₆ "	5 ¹¹ / ₁₆ "
217 mm	144 mm

150 Series

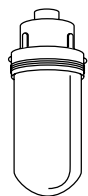
A	B
11 ⁵ / ₈ "	6 ¹⁵ / ₁₆ "
295 mm	176 mm

ORDERING INFORMATION

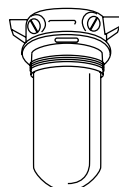
Catalog Number	Maximum Lamp Size	Hub Size	Fixture Components		
			Body ²	Cover	Globe
PENDANT					
VP-151 ¹	150/A-21	1/2"	VFB-15	VP-1	VG-15
VP-152A ¹	150/A-21	3/4"	VFB-15	VP-2	VG-15
VP-301 ¹	300/PS-25	1/2"	VFB-30	VP-1	VG-30
VP-302 ¹	300/PS-25	3/4"	VFB-30	VP-2	VG-30
CEILING OUTLET BOX					
VX-151 ¹	150/A-21	1/2"	VFB-15	VX-1/VAP	VG-15
VX-152 ¹	150/A-21	3/4"	VFB-15	VX-2/VAP	VG-15
VX-301 ¹	300/PS-25	1/2"	VFB-30	VX-1/VAP	VG-30
VX-302	300/PS-25	3/4"	VFB-30	VX-2/VAP	VG-30
CEILING PLATE					
VF-151 ¹	150/A-21	–	VFB-15	VAP	VG-15
VF-301 ¹	300/PS-25	–	VFB-30	VAP	VG-30
WALL ARM OUTLET BOX					
VWX-151 ¹	150/A-21	1/2"	VFB-15	VW-1/VX-1	VG-15
VWX-152 ¹	150/A-21	3/4"	VFB-15	VW-1/VX-2	VG-15
VWX-301 ¹	300/PS-25	1/2"	VFB-30	VW-1/VX-1	VG-30
VWX-302 ¹	300/PS-25	3/4"	VFB-30	VW-1/VX-2	VG-30
WALL ARM MOUNT					
VW-151 ¹	150/A-21	–	VFB-15	VW-1	VG-15
VW-301 ¹	300/PS-25	–	VFB-30	VW-1	VG-30
STANCHION MOUNT					
VS-150	150/A-21	1 1/4"	VFB-15	VD-4	VG-15
VS-300	300/PS-25	1 1/4"	VFB-30	VD-4	VG-30

¹ CSA certified.

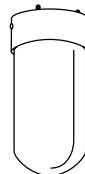
² For Class I, Division 2 and NEMA 3/4, replace VFB-15 with VXFC-100-N34 and VFB-30 with VXFC-200-N34. Order body, cover and globe as components. See T-Rating chart.



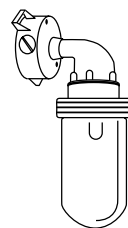
PENDANT



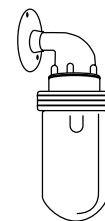
CEILING BOX



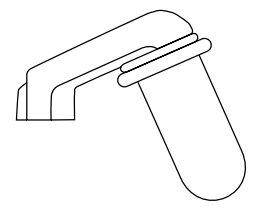
CEILING PLATE



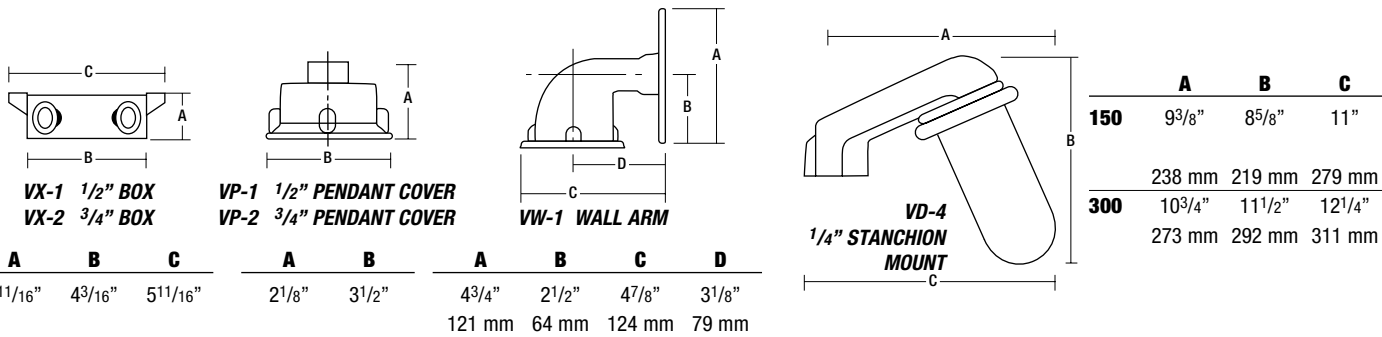
WALL ARM
OUTLET BOX



WALL ARM
MOUNT



STANCHION
MOUNT



A	B	C	A	B	A	B	C	D
111/16"	43/16"	511/16"	21/8"	31/2"	43/4"	21/2"	47/8"	31/8"
43 mm	106 mm	144 mm	54 mm	89 mm	121 mm	64 mm	124 mm	79 mm

ORDERING INFORMATION: GLOBES V/NV/NVQ

Catalog Number	Description
150 WATTS	
VG-15	Clear, standard
VCGP-100	Clear, tempered
VCGPT-100	Clear, tempered w/ Tuffskin® coating
VAMG-100	Amber
VGG-100	Blue Green
VGGP-100	Blue Green, tempered
VBG-100¹	Blue
VBGP-100¹	Blue, tempered
VRG-100	Ruby
VRGP-100	Ruby, tempered
VRGP-100	Ruby
VRSG-100	Green
VPG-100	Purple
VPLCG-100¹	Polycarbonate (cannot be used with guard or in high ambient temperature locations-40°C/104°F max.) Not UL listed
300 WATTS	
VG-30	Clear, Standard
VCGP-200	Clear, Tempered
VAMG-200	Amber
VGG-200	Blue Green
VGGP-200	Blue Green, tempered
VBG-200	Blue
VRG-200	Ruby
VPLGC-200²	Polycarbonate (cannot be used with guard or in high ambient temperature locations-40°C/104°F max.) Not UL listed

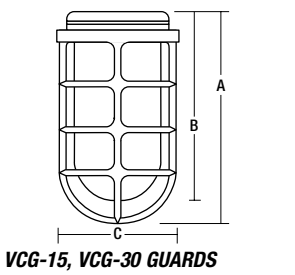
¹ 75W maximum.
² 150W maximum.

ACCESSORIES

(order as separate part #)

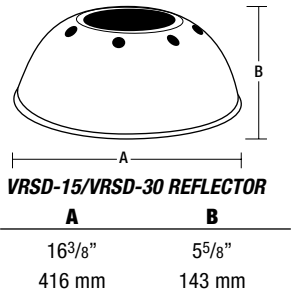
Catalog Number	Maximum Lamp Size	Material
REFLECTOR¹		
VRSD-15	150	White Poly-Pro
VRSD-30	300	White Poly-Pro
GUARDS		
VCG-15	150	Cast Aluminum
VCG-30	300	Cast Aluminum
SOCKET		
VRME	150/300	Lamp Socket

¹ Not for use with VS stanchion.
NOTE: Angle reflector not available.
NOTE: Supply wire ratings: 150 series is 125°C; 300 series is 150°C.



VCG-15, VCG-30 GUARDS

	A	B	C
150	7 ⁵ / ₈ "	6 ⁷ / ₈ "	4 ¹ / ₄ "
	194 mm	175 mm	108 mm
300	10 ⁵ / ₈ "	9 ⁷ / ₈ "	5 ¹ / ₂ "
	270 mm	251 mm	140 mm



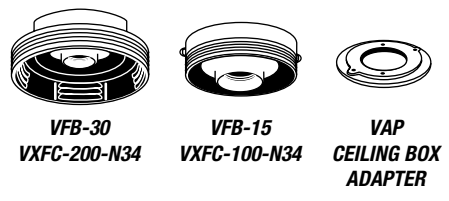
VRSD-15/VRSD-30 REFLECTOR

A	B
16 ³ / ₈ "	5 ⁵ / ₈ "
416 mm	143 mm

GASKETS

Catalog Number	Description
150/300 WATTS	
VTG	Fixture Body to splice box
VTG-S	Silicone Fixture Body to splice box
VTRG	Porcelain Lamp Socket Gasket
150 WATTS	
VTGG1-S	Silicone Globe Gasket
300 WATTS	
VTGG	Globe Gasket
VTGG2-S	Silicone Globe Gasket

REQUIRED FOR CLASS I, DIVISION 2



VFB-30 **VFB-15** **VAP**
VXFC-200-N34 **VXFC-100-N34** **CEILING BOX ADAPTER**

VXFC¹ T-RATINGS

Fixture Type	Lamp Type	Temperature Code
150	A-19/60W	T2C
150	A-19/70W	T2D
150	A-19/100W	T2A
150	A-21/100W	T2B
150	A-21/150W	T2 colored globe
150	A-21/150W	T2 clear globe
300	A-23/200W	T2
300	PS-25/200W	T2A
300	PS-25/300W	350°C

¹ For Class I, Division 2 and NEMA 3/4, replace **VFB-15** with **VXFC-100-N34** and **VFB-30** with **VXFC-200-N34**. Order body, cover and globe as components.
NOTE: Suitability based on "base up" installation.

Due to our continued efforts to improve our products, product specifications are subject to change without notice.



Hubbell Industrial Lighting • 701 Millennium Boulevard • Greenville, SC 29607 • PHONE: 864-678-1000
For more information visit our web site: www.hubbell-iltg.com