



FIXTURE HANGERS



FKA



FH



HOOKLOOP

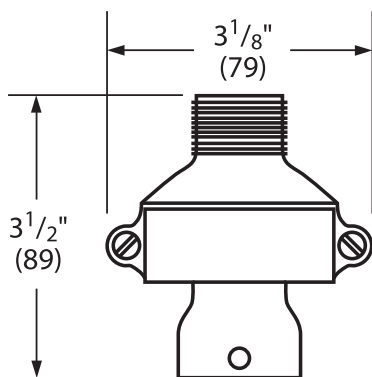
FEATURES-SPECIFICATIONS

FKA

Features

- Ball joint permits fixture to hang plumb. Fixture may swing up to 20° from vertical in any direction
- Cast of aluminum alloy (copper-free aluminum; less than 4/10 of 1%)
- Set screw locks fixture stem in place. Cannot accidentally loosen – intended for use with threaded metal conduit
- Joint cannot twist conductor
- Suitable for fixtures up to 125 pounds

FKA		
CATALOG NUMBER	MALE THREAD	FIXTURE STEM SIZE
FKA-22	3/4"	3/4"



For replacement ball only catalog number 00890545



Listed - File E27731



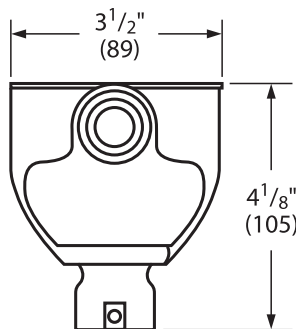
Certified - File LR11851
See files for details or call Killark.

FH

Features

- Combination splice box and flexible fixture hanger
- Ball joint permits fixture to hang plumb. Fixture may swing up to 20° from vertical
- Cast of aluminum alloy (copper-free aluminum; less than 4/10 of 1%)
- Set screw locks fixture stem in place – intended for use with threaded metal conduit
- Joint cannot twist conductors
- Cover may be removed for easy wiring – 11 cu. inches
- Mounts directly to metal conduit
- Suitable for fixtures up to 125 pounds

FH			
TWO HUBS	THREE HUBS	CONDUIT SIZE	FIXTURE STEM SIZE
FEED THRU	T		
FHC-21	FHT-21	3/4"	1/2"
FHC-22	FHT-22	3/4"	3/4"



For replacement ball only catalog number 00890545



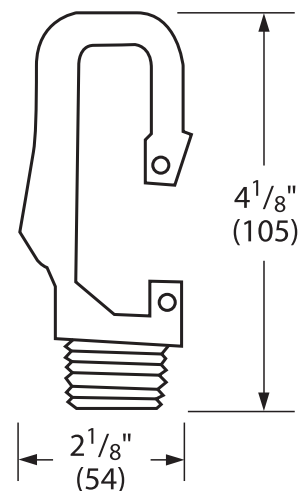
Listed - File E27731

HOOKLOOP

Features

- Pendant fixture hanger consists of a "HOOK" and safety bar which allows conversion to a "LOOP" configuration as necessary
- 3/4" male thread
- Maximum load 125 pounds

HOOKLOOP
CATALOG NUMBER
HOOKLOOP



LIGHTING

FHVX SERIES



FIXTURE HANGERS

FH

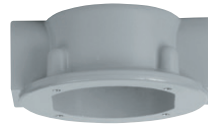


Hook

V Hanger Boxes



VGA



VGC



VGH



VGX

Covers



Flexible Hanger Covers



Hub Covers (for Rigid Mounting)

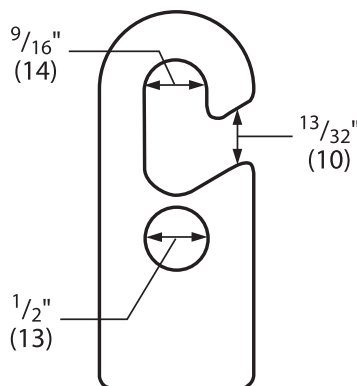
FEATURES-SPECIFICATIONS

FH HOOK

Features

- Economical hanger for pendant fixtures
- Fixtures may absorb minor bumps and vibration through free swinging action
- Hub provided with a set screw to pre-vent accidental loosening of fixture stem
- A 1/2 inch hole in body is for flexible cable. Cord may be assembled with plug for quick removal of fixtures
- Cast of aluminum alloy (copper-free—less than 4/10 of 1%)
- FH supports up to 125 pounds

FH HOOK, LOOP		
CATALOG NUMBER	DESCRIPTION	FIXTURE STEM SIZE
FH-2	Hook	3/4"



UL LISTED - File E27731 or E3397

See files for details or call Killark

V SERIES

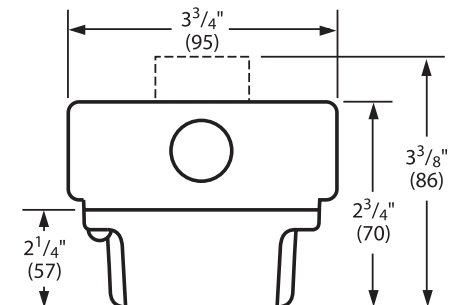
Features

- Flexible fixture hanger for threaded fixture stem. +120° from vertical
- Enclosed and gasketed, suitable for wet locations
- Permits angular displacement of fixture without twisting wires
- Cushioned—absorbs shock and vibration. Internal strap assures ground continuity
- Combines splice box and hanger in one unit. Splice box available in four configurations
- Cast of corrosion resistant aluminum alloy (copper-free—less than 4/10 of 1%)
- Supports up to 125 pounds

UL LISTED - File E27731 or E3397

FLEXIBLE HANGERS, V SERIES ENCLOSED AND GASKETED			
CATALOG NUMBER		HUB SIZE	FIXTURE STEM SIZE
HANGER W/SPLICE BOX	SPLICE BOX ONLY		
VPFHA-12	VGA-1	1/2"	3/4"
VPFHA-22	VGA-2	3/4"	3/4"
VPFHC-12	VGC-1	1/2"	3/4"
VPFHC-22	VGC-2	3/4"	3/4"
VPFHH-12	VGH-1	1/2"	3/4"
VPFHH-22	VGH-2	3/4"	3/4"
VPFHX-12	VGX-1	1/2"	3/4"
VPFHX-22	VGX-2	3/4"	3/4"

FIXTURE HANGERS ONLY		
CATALOG NUMBER	DESCRIPTION	FIXTURE STEM SIZE
VPFH-2	Flexible hanger cover, maximum load 125 Lbs.	3/4"
VG-2	Hub cover for rigid mounting	3/4"



Flexible cover with box, dotted line is VGA pendant



FIXTURE HANGERS



HXB



XFH



EKJ

FEATURES-SPECIFICATIONS

HXB

Class I, Div. 1 & 2, Groups C,D
 Class I, Zones 1 & 2, Groups IIB, IIA
 Class II, Div. 1 & 2, Groups E,F,G
 Class III

Features

- Fixture hanger for hazardous locations combining splice box and hanger
- Set screws in female hub prevents accidental loosening of fixture stem; set screws in hub cover lock cover to the splice box
- Four hubs in "X" configuration up to 3/4"
- Flange mounting ring cast as integral part of box
- Splice box wiring hole with cover for access to box interior
- Cast of corrosion resistant aluminum alloy (copper-free aluminum; less than 4/10 of 1%)
- Supports to 125 pounds; vol. 16 cu."

LISTED - File E10514

Certified - File LR11716

HXB SPLICE BOX AND HANGER		
CATALOG NUMBER	CONDUIT HUB SIZE	FIXTURE STEM SIZE
HXB-11	1/2"	1/2"
HXB-12	1/2"	3/4"
HXB-21	3/4"	1/2"
HXB-22	3/4"	3/4"
HXBC	Blank Cover	
HIC-SILVER	Replacement Wiring Plug	

XFH

Class I, Div. 1 & 2, Groups C,D
 Class I, Zones 1 & 2, Groups IIB, IIA
 Class II, Div. 1 & 2, Groups E,F,G
 Class III

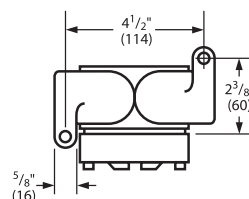
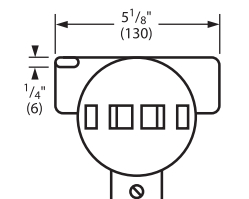
Features

- Fixture hanger for hazardous locations combining splice box and hanger
- Set screws in female hub prevents accidental loosening of fixture
- Straight through conduit hubs for through feed. 20 cu"
- Mounting lugs are standard
- Cast of corrosion resistant aluminum alloy (copper-free aluminum; less than 4/10 of 1%)
- Supports to 125 pounds

LISTED - File E10514

Certified - File LR11716

XFH SPLICE BOX AND HANGER		
CATALOG NUMBER	CONDUIT HUB SIZE	FIXTURE STEM SIZE
XFH-21	3/4"	1/2"
XFH-22	3/4"	3/4"



EKJ

Class I, Div. 1 & 2, Groups A,B,C,D
 Class I, Zones 1 & 2, Groups IIC, IIB, IIA
 Class II, Div. 1 & 2, Groups E,F,G
 Class III

Features

- Fixture pendant hanger for hazardous locations
- Permits free swing and plumb hang
- Set screws in each hub prevents accidental loosening of fixture
- Constructed of seamless bronze hose with brass outer braid. Asphaltum impregnated jute inner insulates and protects wire from abrasion. Brass female end fittings are supplied with short nipples
- Electrical ground continuity without bonding jumper
- Suitable for wet locations as well as hazardous locations
- Flexible lengths 4 to 18 inches
- Supports to 125 pounds

LISTED - File E10514

Certified - File LR11716

EKJ FLEXIBLE PENDANT HANGER *		
CATALOG NUMBER	CONDUIT HUB SIZE	FIXTURE STEM SIZE
EKJ-14	1/2"	4"
EKJ-24	3/4"	4"
EKJ-16	1/2"	6"
EKJ-26	3/4"	6"
EKJ-18	1/2"	8"
EKJ-28	3/4"	8"
EKJ-110	1/2"	10"
EKJ-210	3/4"	10"
EKJ-112	1/2"	12"
EKJ-212	3/4"	12"
EKJ-115	1/2"	15"
EKJ-215	3/4"	15"
EKJ-118	1/2"	18"
EKJ-218	3/4"	18"

LIGHTING

JL/JAL/ENY SERIES



FIXTURE HANGERS



JL



JAL



ENY Pendant Seal

FEATURES-SPECIFICATIONS

JL/JAL

Class I, Div. 1 & 2, Groups C,D
 Class I, Zones 1 & 2, Group IIB
 Class II, Div. 1 & 2, Groups E,F,G
 Class III

Features

- Splice box and hub cover for mounting pendant fixtures in hazardous locations
- Conduit openings in two configurations

- Flange type cover. Set screw in hub prevents accidental loosening of fixture stem
- Integral lugs for mounting box to ceiling
- Cast of corrosion resistant aluminum alloy (copper-free aluminum; less than 4/10 of 1%)
- Supports up to 125 pounds

- File E10514

- File LR11716

ENY PENDANT SEALS

Class I, Div. 1 & 2, Groups A,B,C,D
 Class I, Zones 1 & 2, Groups IIC,IIB,IIA
 Class II, Div. 1 & 2, Groups E,F,G
 Class III

Features

- ENY Pendant Seals are designed for hazardous locations and meet code requirements for a safety set-screw when hanging fixtures. Common applications are for Class I Division I Group B or Class I Zone 2 Ex nR restricted breathing fixtures
- Cast of corrosion resistant aluminum alloy (copper-free aluminum; less than 4/10 of 1%)
- Supports up to 125 pounds

JL/JAL SPLICE BOX AND HUB COVER FIXTURE HANGER				
CATALOG NUMBER		CONDUIT BOX	COVER	TYPE
JL SERIES W/HUB COVER	JAL SERIES W/HUB COVER			
JLC-11	—	1/2"	1/2"	CS Straight Through
JLC-12	—	1/2"	3/4"	
JLC-21	—	3/4"	1/2"	
JLC-22	—	3/4"	3/4"	
JLX-11	JALX-11	1/2"	1/2"	XF our Hubs
JLX-12	JALX-12	1/2"	3/4"	
JLX-21	JALX-21	3/4"	1/2"	
JLX-22	JALX-22	3/4"	3/4"	
—	JALX-31	1"	1/2"	
—	JALX-32	1"	3/4"	

CATALOG NUMBER	SIZE
ENY-2SET	3/4"

JL/JAL DIMENSIONS						
SERIES	A	B	C	D	E	F
JL	1-15/16" (49)	11/16" (17)	3-1/4" (95)	4-7/32" (107)	2-3/8" (60)	5/16" (8)
JAL	2-3/8" (60)	15/32" (12)	4-5/8" (117)	5-1/4" (133)	4-1/8" (105)	5/16" (8)

