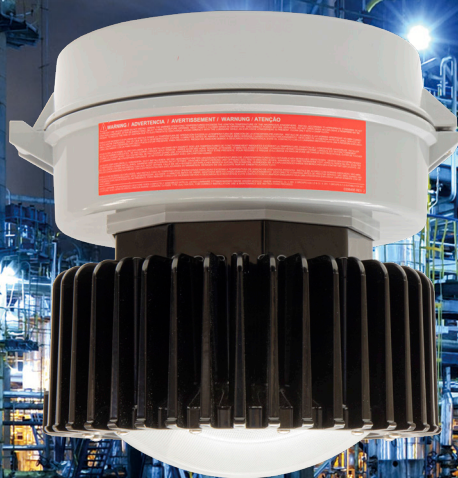


Champ VMVL

LED lighting for hazardous areas



Safe. Reliable. Efficient.
3,000 to 13,000 lumens



Powering Business Worldwide



Champ VMVL LED

Safe. Reliable. Efficient.

Featuring a broad range of LED luminaires for harsh, hazardous and industrial environments, Eaton Crouse-Hinds series lighting solutions are designed to perform reliably in the most extreme conditions while helping reduce energy, maintenance and manpower costs.

Why LED?

Useful life

Rated life is up to 60,000 hours of maintenance-free and safe operation

Energy efficiency

LED average energy consumption is significantly less than traditional fluorescent and HID fixtures

Start/restart time

Instant illumination versus 10 minute restrike time for HID

Light quality

Higher color rendering compared to fluorescent and HID

Environmental benefits

Mercury-free LED eliminates disposal costs and lower energy consumption for a smaller carbon footprint

Why Crouse-Hinds?

Rugged design

Built to withstand extreme temperatures, vibration, water and dust

High efficacy

Up to 127 lumens per watt (model dependent)

Thermal management

Effective heat sinking ensures longer life

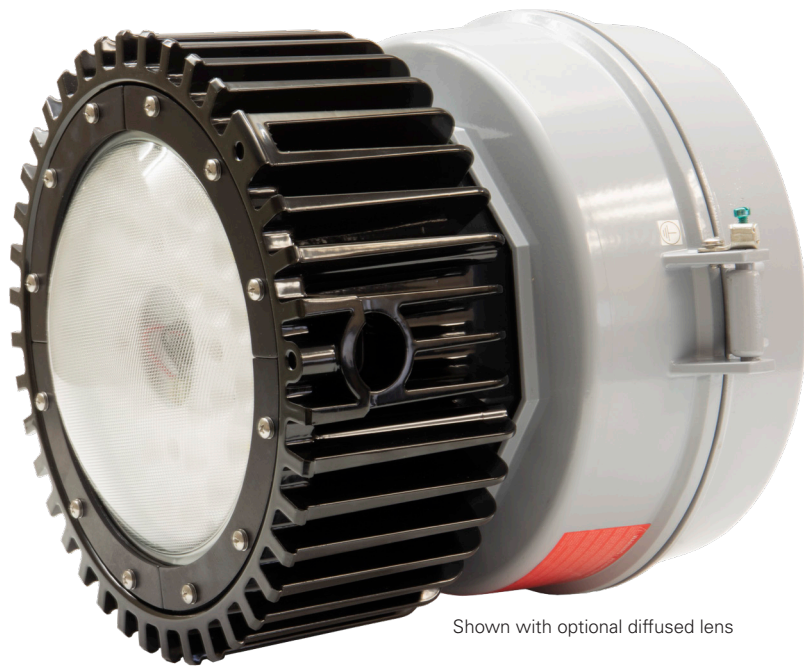
Quality of light

Custom optics designed to maximize light distribution and intensity

Versatile mounting

LED fixtures are compatible with Crouse-Hinds series HID installed base

Design features



Shown with optional diffused lens

Built to last:

- Type 4X and IP66 rated
- Impact-resistant lens sealed from the outside environment provides ingress protection against water and dust
- Die cast aluminum LED housing provides efficient thermal path to heat sink assembly
- Vertical fin design facilitates air flow and dust shedding

Simple installation and replacement:

- Contractor-friendly design is ideal for both retrofit and new construction
- Easy to retrofit using existing HID Champ mounting module
- Available with lever lock connectors and standard three-pole terminal block

Custom optics:

- Type I, III and V optics designed to maximize light distribution and intensity*

* Type V optics standard.

Increased efficiency:

- Up to 127 lumens per watt (7L model)



Multiple lens options:

- Clear glass lens standard
- Uplight refractor lens provides ~5% uplight and ~16% sidelight for better visibility
- Optional lenses include diffused glass, clear polycarbonate or uplight refractor

Shown with optional uplight refractor lens and guard

Connected lighting

Flexible & intuitive software controls

Tune light output to meet safety and task needs – light where you need it

For more information go to:
[Crouse-Hinds.com/LEDconnected](https://www.crouse-hinds.com/LEDconnected)

Why choose Champ VMVL?

Safe, reliable and efficient. VMVL LED luminaires are engineered to deliver high lumen output and maintenance-free long life in the toughest conditions.



VMVL-7 vs. 175 watt HID



77%
ENERGY
EFFICIENCY



75%
TOTAL COST
OF OWNERSHIP



100%
MAINTENANCE
REDUCTION

Assumptions: Calculations based on overall life of the LED system. Energy cost of \$.09 per kilowatt; 24 hour per day operation; labor rate of \$75 each for 2 workers; average time for fixture maintenance of 1 hour.

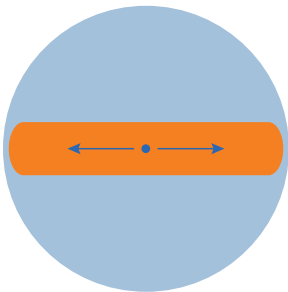
Custom optics

Eaton's Crouse-Hinds continuously focuses on engineering product solutions tailored to our customers' unique needs and applications.

Champ VMVL LED luminaires feature custom optics designed to maximize light distribution and intensity, providing flexibility for retrofits or new installations throughout the site.

Type III optics minimize light spillover onto the walls and direct light to the ground.

Three optical options to maximize light distribution and intensity

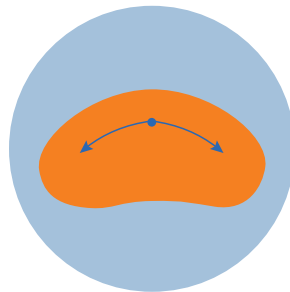


TYPE I

Long and rectangular for hallways, walkways, loading docks, catwalks.

Ideal for:

- Mining conveyor belts
- Aisleways and hallways
- Catwalks and walkways
- Ramps and loading docks
- Tunnels with overhead mounts

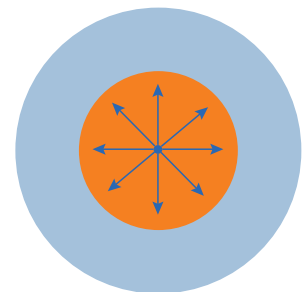


TYPE III

Stanchion and wall mount light distribution, minimizing spillover on the wall.

Ideal for:

- Narrow crosswalks or passages with wall mounted fixtures
- Tunnels with wall mount
- Wall or stanchion mount requiring 180° forward throw beam patterns



TYPE V

Regular circular distribution pattern for high/low bay indoor and outdoor ceiling or pendant mount lighting.

Ideal for:

- Pendant, ceiling or stanchion mount overhead building mounts
- Processing mills, industrial plants, large buildings, warehouses, etc.

Case study: Type I optics

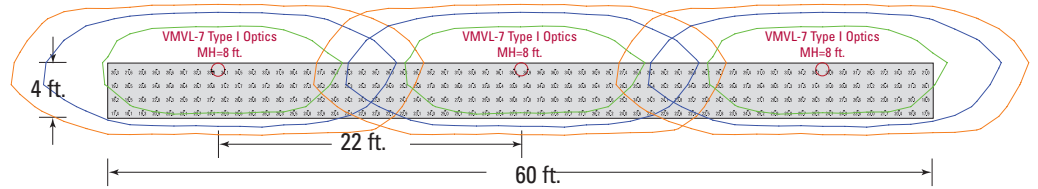
Catwalk/conveyor lighting

Utilizing Eaton's Crouse-Hinds lighting layout services, Champ VMVL luminaires with Type I optics and HID luminaires are shown installed on a catwalk to compare photometrics.

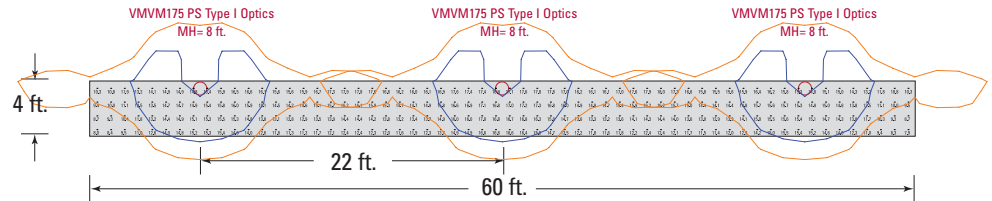
Comparison

Champ Type I LEDs have a wider linear pattern than equivalent HID luminaires and provide more efficient light dispersion, which fully illuminates the catwalk.

Champ VMVL w/ Type I optics



175W metal halide w/ Type I optics



Results

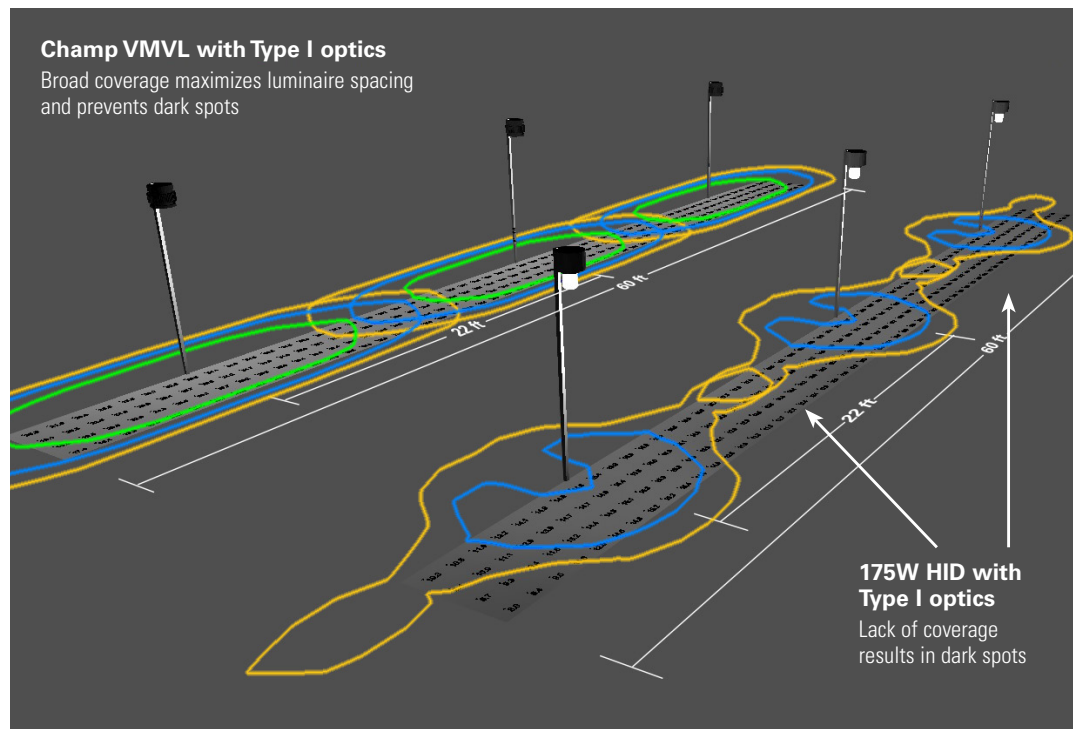
Champ VMVL LED with Type I optics provides superior illumination along the conveyor and walkway safely. With no gaps in illumination, the optical pattern allows for increased spacing of fixtures and a safer conveyor system.

Luminaire	Calc. type	Units	Avg.	Max.	Min.	Avg./min.	Max./min.
Champ VMVL	Illuminance	Fc	26.91	36.9	17.4	1.55	2.12
175W MH	Illuminance	Fc	14.32	18.0	7.9	1.81	2.28

Savings realized

- **Champ Type I pattern allows for greater fixture spacing** along the catwalk or conveyor system
- Increased visibility with no dark spots results in safer conditions for workers
- Up to 77% energy savings over the life of the fixture

Champ VMVL has broader coverage area, higher delivered footcandles and uniformity for a typical catwalk or conveyor application.



Lighting layout & design services:

Let us help you design your next big project!

Contact Crouse-Hinds Customer Service

crousecustomerctr@eaton.com

(866) 764-5454

Rugged solutions for complex environments.

Champ VMVL LED luminaires are engineered to provide maintenance-free illumination in the most demanding hazardous rated environments.

The Champ VMVL features a compact, high efficacy design with custom optics to ensure maximum efficiency and mounting flexibility, including the ability to retrofit the Crouse-Hinds installed base to service both LED upgrades and new projects.

Model	Nominal lumens*	Watts	Efficacy	Equivalent HID
VMVL-3	3,250	28	125 lm/W	70W
VMVL-5	5,537	45	128 lm/W	100W
VMVL-7	7,442	61	126 lm/W	175W
VMVL-9	9,234	76	126 lm/W	250W
VMVL-11	11,114	92	122 lm/W	320W
VMVL-13	13,100	95	137 lm/W	400W

*Nominal lumens based on Type V optics, 5000K CCT with clear glass lens. Wattage measured at 120 VAC.

Applications:

- For areas with mounting heights of up to 30 feet
- Oil and gas refineries, drilling rigs, petrochemical facilities, food and beverage facilities, platforms, loading docks, tunnels, indoor/outdoor spotlighting, outdoor wall and stanchion mounted general area lighting, and where flammable vapors, gases, ignitable dusts, fibers or flyings are present
- Locations requiring continuous and consistent light levels in extreme ambient temperatures
- Extremely corrosive, wet, dusty, hot and/or cold conditions
- Classified and hazardous locations

Champ VMVL benefits:

- Instant illumination and restrike
- Dimmable driver, 0-10V
- Cold temperature operation / no warm-up required
- Option for redundancy in drivers with multiple series circuits connected to each driver to avoid complete loss of illumination
- Easy installation - compact modular fixture attaches onto existing Champ mounting module
- Energy-efficient technology - up to 77% energy savings over HID fixtures
- Contains no mercury or other hazardous substances
- Shock- and vibration-resistant solid-state luminaires have no filaments or glass components that could break - greatly reduces the risk of premature failure
- Operating ambient: -40°C to 65°C
- Up to 60,000 hours lifetime at 55°C
- 5 year fixture warranty†

†Refer to page 2 of the authorized distributor price book for Crouse-Hinds standard Terms and Conditions.

LED system:

- High intensity discrete power emitters
- Standard: cool white (5000K, 70 CRI); optional: warm white, (3000K, 80 CRI) or neutral white (4000K, 70 CRI)
- Custom Type I, III and V optics available

Colored LED options:

- Available in green or amber*
- Reduction in light pollution for night space observation and sky glow due to isolating blue wavelength in red and amber colors
- Wildlife-friendly
- Improves visibility for telescopes in observatories during night sky space exploration

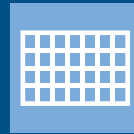
*Custom optics not available with colored LEDs.

Connected lighting

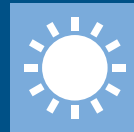
Remote monitoring and control for use in hazardous and hard-to-access areas.



Connected lighting highlights:



Advanced scheduling control allows for improving energy efficiency during non-operational hours. Easy software control lets a user set up schedules for lights to be on and off at pre-defined times, removing the challenges of manual management.



Daylight harvesting allows for use of the daylight and adjusts the light level of luminaire to maintain the desired light levels. It is best suited for outdoor environments or indoor areas where daylight is present during operational hours of a facility.



Fixture grouping is an added benefit that maximizes control in a defined area. By grouping light fixtures, same control settings can be applied to them to increase efficiency and response time.



Occupancy sensing is best used in areas that see infrequent traffic, such as storage areas of warehouses. Innovative occupancy sensor controls can automatically illuminate the area once presence is sensed in an area and also turn it back off when sensors stop sensing the presence.



Advanced dimming controls help reduce the energy consumptions by setting dimming levels. Dimming controls could be used in conjunction with other control features, such as scheduling and occupancy sensing, to improve energy savings.

Flexible & intuitive software controls

Tune light output to meet safety and task needs
– light where you need it



For more information go to:

Crouse-Hinds.com/LEDconnected

Certifications and compliances:

NEC, CEC & IEC

- Class I, Division 2, Groups A, B, C, D
- Class II, Groups E, F, G
- Class III
- Class I, Zone 2 AEx ec mb IICT*GC
- Zone 21 tb IIIC
- Simultaneous Presence
- Wet Locations, Type 4X, IP66

UL standards

- UL 844 Hazardous (Classified)
- UL1598 Luminaires, UL1598A Marine

CSA standard

- CSA C22.2 No. 137

IEC/ATEX standards*

- IEC 60079-0:2011, 6th Edition / EN 60079-0:2012
- IEC 60079-7:2010, 5.1 Edition / EN 60079-7:2015
- IEC 60079-31:2008, 2nd Edition / EN 60079-31:2014
- IEC 60529:2001 / EN 60529:2001
- IEC 60598-1:2008 / EN 60598-1:2008
- IEC 60598-2:2008 / EN 60598-2:2008
- IEC 60079-18:2017, 4.1 Edition / EN 60079-18:2015 + A1:2017

*IEC/ATEX certifications applicable for voltage ranges: 100-277VAC, 127-250 VDC.

Luminaire markings

- IECEx UL 13.0052X
- DEMKO 13 ATEX 1305741X
- DEMKO 13 ATEX 1475031X

100-277 VAC/127-250 VDC (UNV1 luminaire only)

- Ⓢ II 3 G EX ec mb IICT5 Gc -40°C to +40°C
- Ⓢ II 3 G EX ec mb IICT5 Gc -40°C to +55°C
- Ⓢ II 3 G EX ec mb IIC T4 Gc -40°C to +65°C
- Ⓢ II 2 D Ex tb IIIC T72°C Db -40°C to +40°C
- Ⓢ II 2 D Ex tb IIIC T87°C Db -40°C to +55°C
- Ⓢ II 2 D Ex tb IIIC T92°C Db -40°C to +65°C

Standard materials:

- Lamp housing and adapter - die cast aluminum with Corro-free™ epoxy powder coat
- Lens - heat- and impact-resistant glass
- Gaskets - silicone
- External hardware - stainless steel
- Factory-sealed, no external seals required

Weights:

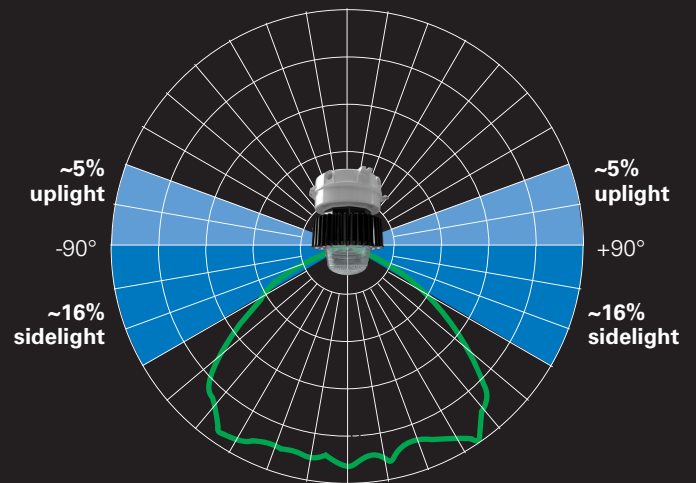
Model	lbs.	kg.	Mounting module	lbs.	kg.
VMVL-3 to VMVL-7	19.00	8.62	Pendant	1.25	0.57
VMVL-9 to VMVL-13	19.20	8.70	Cone pendant	4.00	1.81
			Flexible pendant	1.50	0.68
			Ceiling	2.75	1.25
			Wall	4.50	2.04
			Angled stanchion	3.50	1.59
			Straight stanchion	4.50	2.04

Uplight refractor lens now available



Maximize light dispersion

The new uplight refractor lens is perfect for low bay ceilings, suspended pendant mounts, areas with elevated infrastructure or areas which require dispersed side and uplight illumination.



More directional light

~5% uplight and ~16% sidelight for better visibility



For more information go to:
Crouse-Hinds.com/ChampLED

Electrical ratings:

UNV1 driver	Input power (watts)	Input amps at 100-277 VAC	UNV34 driver	Input power (watts)	Input amps at 347-480 VAC
VMVL-3	27	0.27-0.10	VMVL-3	28	0.08-0.06
VMVL-5	45	0.45-0.16	VMVL-5	44	0.13-0.09
VMVL-7	61	0.61-0.21	VMVL-7	57	0.16-0.12
VMVL-7-S892	60	0.60-0.23	VMVL-7-S892	61	0.18-0.13
VMVL-9	76	0.76-0.26	VMVL-9	68	0.20-0.14
VMVL-9-S892	80	0.80-0.29	VMVL-9-S892	73	0.22-0.15
VMVL-11	91	0.92-0.32	VMVL-11	83	0.24-0.17
VMVL-11-S892	97	0.97-0.35	VMVL-11-S892	86	0.25-0.18
VMVL-13	95	1.10-0.42	VMVL-13	91	0.29-0.17
VMVL-13-S892	99	1.10-0.36	VMVL-13-S892	96	0.31-0.19

Temperature codes, UNV1 driver:

UNV1: VMVL-3 to VMVL-11	40°C	55°C	65°C
Class I, Division 2	T5	T5	T4A
Class II, Division 1	T6	T6	T5
Simultaneous rating Class I, Division 1 & 2	T4A	T4	T3C
Class I, Zone 2 AEx ec mb; Ex ec mb	T5	T5*	T4
Class III, Div. 1 Class II, Div. 1, Groups E, F, G Zone 21, AEx tb IIIC	T72	T72	T92

* TCode is T4 for VMVL-11 with R1, R3 Optics

UNV1: VMVL-7, 9 & 11-S892	40°C	55°C	65°C
Class I, Division 2	T5	T4A	T4A
Class II, Division 1	T6	T6	T5
Simultaneous rating Class I, Division 1 & 2	T4A	T4	T3C
Class I, Zone 2 AEx ec mb; Ex ec mb	T4	T4	T4
Class III, Div. 1 Class II, Div. 1, Groups E, F, G Zone 21 AEx tb IIIC	T72	T87	T92

UNV1: VMVL-13	40°C	55°C
Class I, Division 2	T4A	T4A
Class II, Division 1	T6	T6
Simultaneous rating Class I, Division 1 & 2	T4A	T4A
Class I, Zone 2 AEx ec mb; Ex ec mb	T5	T4
Class III, Div. 1 Class II, Div. 1, Groups E, F, G Zone 21, AEx tb IIIC	T64	T77

UNV1: VMVL-13-S892	40°C	55°C
Class I, Division 2	T5	T4A
Class II, Division 1	T6	T6
Simultaneous rating Class I, Division 1 & 2	T5	T4A
Class I, Zone 2 AEx ec mb; Ex ec mb	T4	T4
Class III, Div. 1 Class II, Div. 1, Groups E, F, G Zone 21 AEx tb IIIC	T64	T77

All models

Power factor	≥0.90	THD	≤15%
--------------	-------	-----	------

UNV34

Voltage range, VAC*	347-480V at 50/60 Hz
---------------------	----------------------

*IEC voltage: 100-240 VAC @ 50/60 Hz.
**For VMVL-3: PF>0.9 from 100-255 VAC.

UNV1

Voltage range, VAC*	100-277V at 50/60 Hz
Voltage range, VDC	127-250V

EMC / CE compliance:
If the dimming interface of the LED driver is connected to an external dimmer which is not provided with the luminaire, a ferrite core must be used on the input and dimming lines.
Approved ferrite cores are: Fair-Rite P/N 0431167281.

Temperature codes, UNV34 driver:

UNV34: VMVL-3 to VMVL-11	40°C	55°C	65°C
Class I, Division 2	T5	T5*	T4A
Class II, Division 1	T6	T6	T5
Simultaneous rating Class I, Division 1 & 2	T4A	T4	T3C

* TCode is T4A for VMVL-11 with R1, R3 Optics

UNV34: VMVL-7, 9, & 11-S892	40°C	55°C	65°C
Class I, Division 2	T5	T5*	T4A
Class II, Division 1	T6	T6	T5
Simultaneous rating Class I, Division 1 & 2	T4A	T4	T3C

* TCode is T4A for VMVL-11-S892 with R1, R3 Optics

UNV34: VMVL-13	40°C	55°C
Class I, Division 2	T4A	T4A
Class II, Division 1	T6	T6
Simultaneous rating Class I, Division 1 & 2	T4A	T4A

UNV34: VMVL-13-S892	40°C	55°C
Class I, Division 2	T4A	T4A
Class II, Division 1	T6	T6
Simultaneous rating Class I, Division 1 & 2	T4A	T4A

Ordering information

Part number example: **VMVL-3-N-2A-R1-G-UNV1-S831-S891**

Champ VMVL, 3,000 lumens, 4000K neutral white, ¾" pendant mount, Type I optics, wire guard, 100-277 VAC driver, safety cable, diffused glass lens

VMVL - 3 - N - 2A - R1 - G - UNV1 - S831 - UPLT

Light source/intensity

3	3,250 nominal lumens
5	5,537 nominal lumens
7	7,442 nominal lumens
9	9,234 nominal lumens
11	11,114 nominal lumens
13*	13,100 nominal lumens
A	Amber - 5,200 lumens
G	Green - 4,300 lumens

*For 13L models, add "-M2" suffix at the end of the part number.
Example: VMVL-13-2A-R1-UNV1-S831-M2

Color temperature

BLANK	5000K, 70 CRI (<i>cool white</i>)
N*	4000K, 70 CRI (<i>neutral white</i>)
W	3000K, 80 CRI (<i>warm white</i>)

*Consult factory for lead time.
**5700K and 6500K are available upon request; consult factory.
***Not available for Amber or Green LED.

Mounting

BLANK	No mounting module
J	1-½" stanchion, 25° angled
P	1-½" stanchion, straight
2A	¾" pendant
3A	1" pendant
20A	20mm pendant

25A	25mm pendant
2B	¾" cone pendant
3B	1" cone pendant
2HA	¾" flexible pendant
2C	¾" ceiling
3C	1" ceiling

20C	20mm ceiling
25C	25mm ceiling
2TW	¾" wall
3TW	1" wall
20TW	20mm wall
25TW	25mm wall

*Available with ceiling mount modules only.

Lens guard

BLANK	No guard
G	Wire guard

Optics

BLANK	Type V optic standard
R1	Type I optic (<i>all mounts minus ceiling</i>)
R1A*	Type I optic (<i>ceiling with conduit 45° counterclockwise from top hat hinge</i>)
R1B*	Type I optic (<i>ceiling with conduit 135° clockwise from top hat hinge</i>)
R3	Type III optic (<i>all mounts minus ceiling</i>)
R3AP*	Type III optic (<i>select when using Appleton® top hat adapter with Champ fixture</i>)
R3A1*	Type III optic (<i>ceiling with conduit 45° counterclockwise from top hat hinge</i>)
R3A2*	Type III optic (<i>ceiling with conduit 135° clockwise from top hat hinge</i>)
R3B1*	Type III optic (<i>ceiling with conduit 45° clockwise from top hat hinge</i>)
R3B2*	Type III optic (<i>ceiling with conduit 135° counterclockwise from top hat hinge</i>)

*Available with ceiling mount modules only.

Accessories & options†

S812	Trunnion mount kit with pin (<i>available with ceiling mount only</i>)
S831	Safety cable
S890	Quick clip
S892*	Redundant driver
TB6**	Six-pole terminal block

†Ordered with fixture or available separately.

*Available for VMVL-7, 9, 11 and 13 only

**For NEC/CEC only.

Voltage‡

UNV1	100-277 VAC, 50/60 Hz; 127-250 VDC
UNV34	347-480 VAC, 50/60 Hz

‡IEC voltage; 100-240 VAC at 50/60 Hz.

Lens material

BLANK	Clear glass
S891	Diffused glass
S896*	Teflon coated lens
S903	Polycarbonate
UPLT**	Uplight refractor lens

*For NEC/CEC only.

**For use with Type V optic only.

Accessories (ordered separately)

Replacement driver kits

VMVL-3-5-7L-UNV1-DRIVER-KIT	UNV1 replacement driver kit for VMVL-3, -5 and -7
VMVL-9-11L-UNV1-DRIVER-KIT	UNV1 replacement driver kit for VMVL-9 and -11
VMVL-96W-13L-UNV1-M2-DRIVER-REPL-KIT	UNV1 replacement driver kit for VMVL-13
VMVL-3L-5L-UNV34-DRIVER-KIT	UNV34 replacement driver kit for VMVL-3 and -5
VMVL-7L-UNV34-DRIVER-KIT	UNV34 replacement driver kit for VMVL-7
VMVL-9L-UNV34-DRIVER-KIT	UNV34 replacement driver kit for VMVL-9
VMVL-11L-UNV34-DRIVER-KIT	UNV34 replacement driver kit for VMVL-11
VMVL-13-M2-DRIVER-KIT	UNV34 replacement driver kit for VMVL-13
VMVL-7L-S892-UNV1-DRIVER-KIT	UNV1 replacement redundant driver kit for VMVL-7
VMVL-9L-11L-S892-UNV1-DRIVER-KIT	UNV1 replacement redundant driver kit for VMVL-9 and 11
VMVL-13-UNV1-S892-M2-DRIVER-KIT	UNV1 replacement redundant driver kit for VMVL-13
VMVL-7L-S892-UNV34-DRIVER-KIT	UNV34 replacement redundant driver kit for VMVL-7
VMVL-9L-S892-UNV34-DRIVER-KIT	UNV34 replacement redundant driver kit for VMVL-9
VMVL-11L-S892-UNV34-DRIVER-KIT	UNV34 replacement redundant driver kit for VMVL-11
VMVL-13-UNV34-S892-M2-DRIVER-KIT	UNV34 replacement redundant driver kit for VMVL-13
VMVL-AL-GL-UNV1-DRIVER-KIT	UNV1 replacement driver kit for amber or green models

Mounting & hardware

VMVL S812 K1	Trunnion mount kit with pin*
VMVL S812 K1 DBR	PVC coated trunnion mount kit with pin*
VMVL S831 K1	Safety cable
VMVL S890 K1	Quick Clip

*Available with ceiling mounted modules only.

Mounting adapters

CHMM1	Mounting adapter for Appleton MercMaster III mounts
CHMM2	Mounting adapter for MercMaster II mounts
CHMM3	Mounting adapter for Thomas & Betts HazLux mounts
CHMM4	Mounting adapter for GE H2 Filtr-Gard mounts

Photocells

D2S20	Photocell, 120V
D2S208 277	Photocell, 208-277V

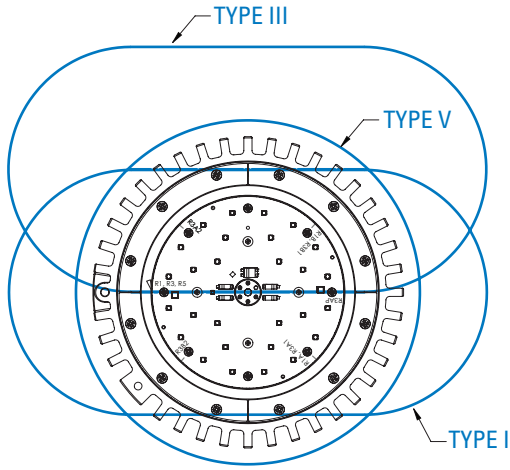
Lens guard

P3001	Wire guard
P3003	UPLT wire guard

Optics options

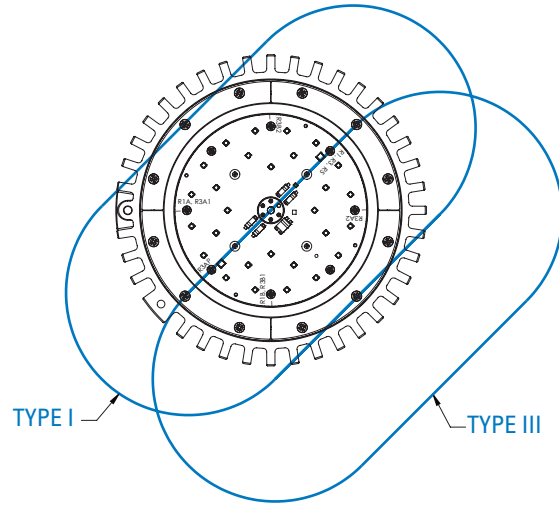
R1, R3 and BLANK

Type I, III and V optics with all mounts minus ceiling



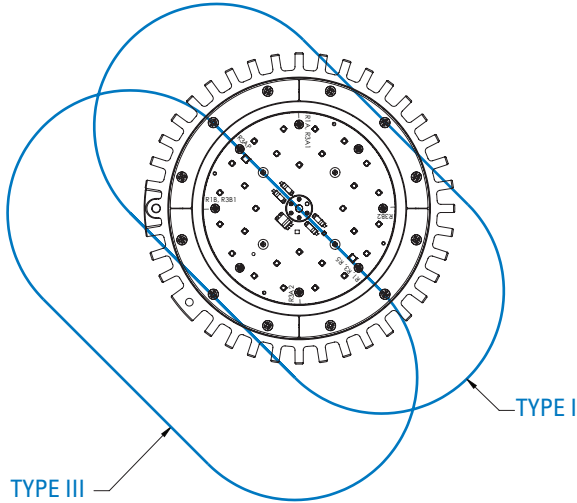
R1A and R3A1

Type I and Type III ceiling mount only



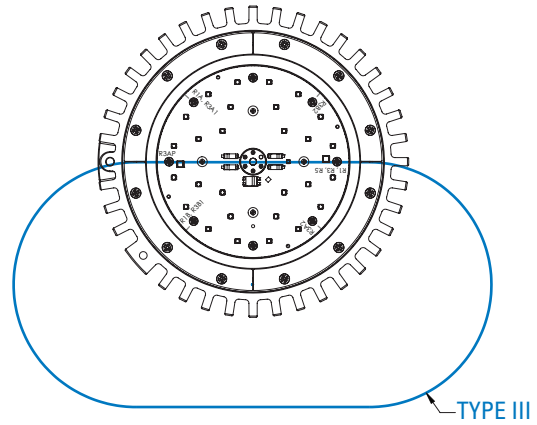
R1B and R3B1

Type I and Type III ceiling mount only



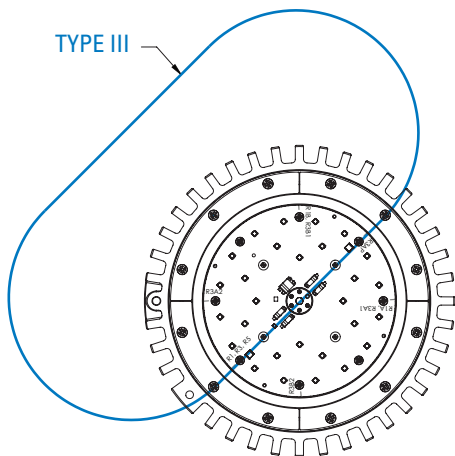
R3AP

Type III wall mount



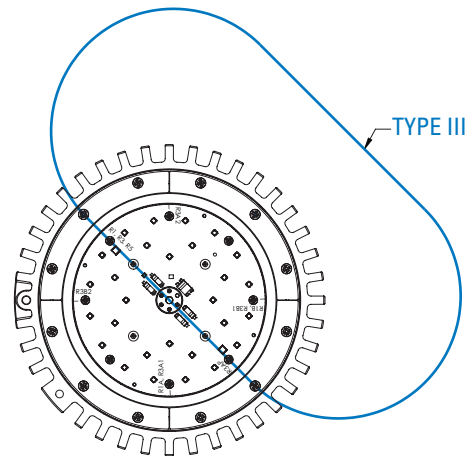
R3A2

Type III ceiling mount only

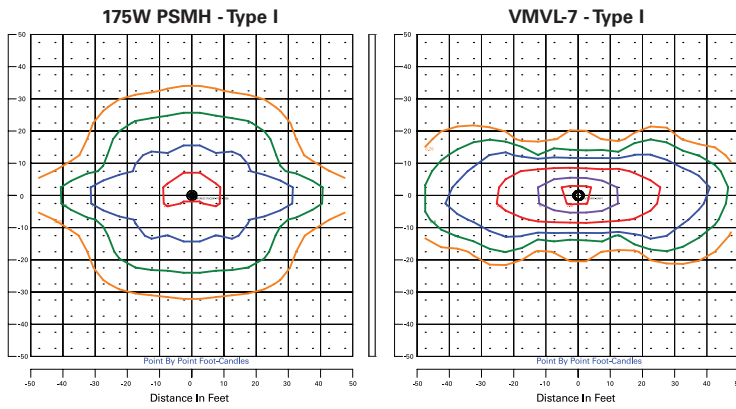


R3B2

Type III ceiling mount only



Photometric comparison at 15 ft. mounting height

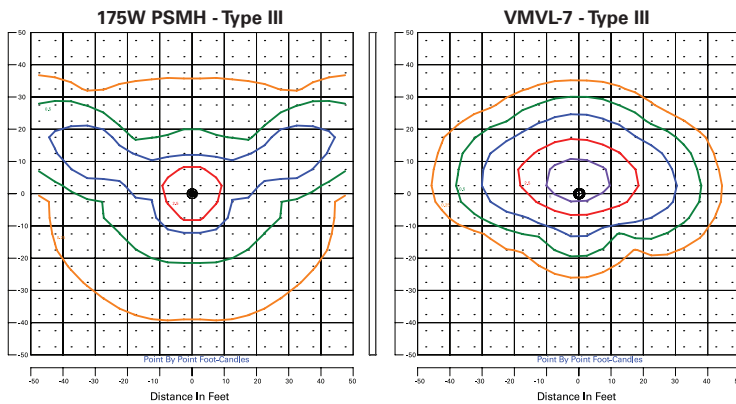


Type I optical pattern



Calculation summary

Label	Calc. type (in Fc)	Avg.	Max.	Min.
VMV 175W MH grid	Illuminance	0.45	2.8	0.0
VMV LED grid	Illuminance	0.62	8.0	0.0

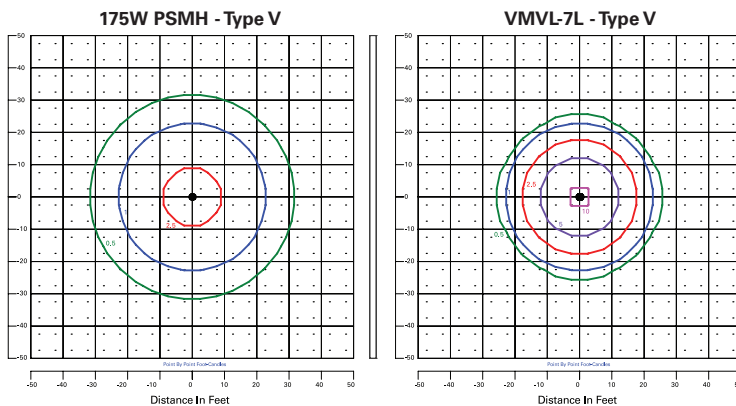


Type III optical pattern

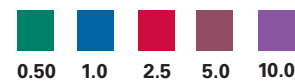


Calculation summary

Label	Calc. type (in Fc)	Avg.	Max.	Min.
VMV 175W MH grid	Illuminance	0.53	3.2	0.1
VMV LED grid	Illuminance	0.61	7.5	0.0



Type V optical pattern



Calculation summary

Label	Calc. type (in Fc)	Avg.	Max.	Min.
VMV 175W MH grid	Illuminance	0.51	2.8	0.1
VMV LED grid	Illuminance	0.69	10.1	0.0

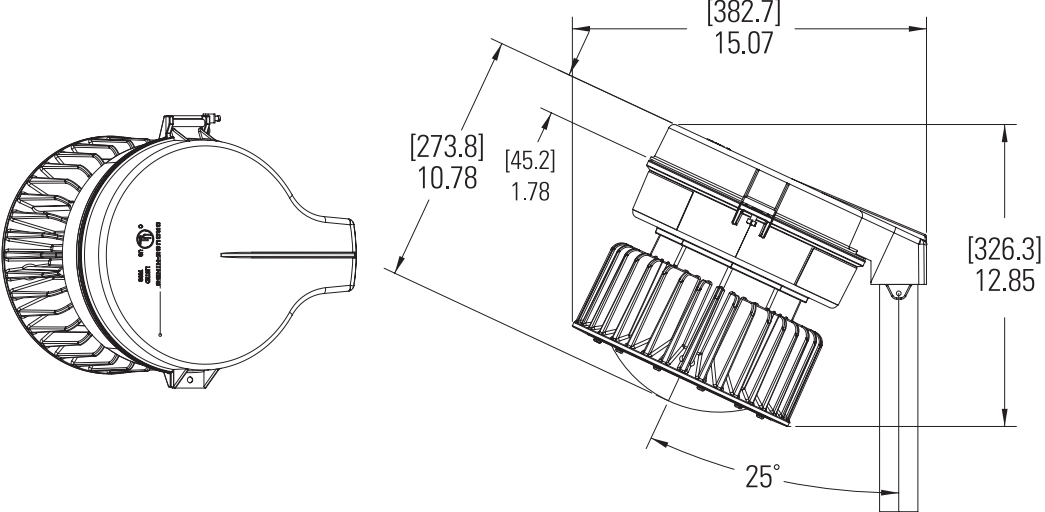
Higher average footcandles, uniformity and distribution coverage with less than half the lumens and energy consumption compared to 175W metal halide

Actual lumens (nominal†)	VMVL-3	VMVL-5	VMVL-7	VMVL-9	VMVL-11
Type I	3,360	5,045	6,844	8,823	10,730
Type III	3,309	4,468	6,741	8,618	10,660
Type V	3,250	5,537	7,442	9,234	11,114

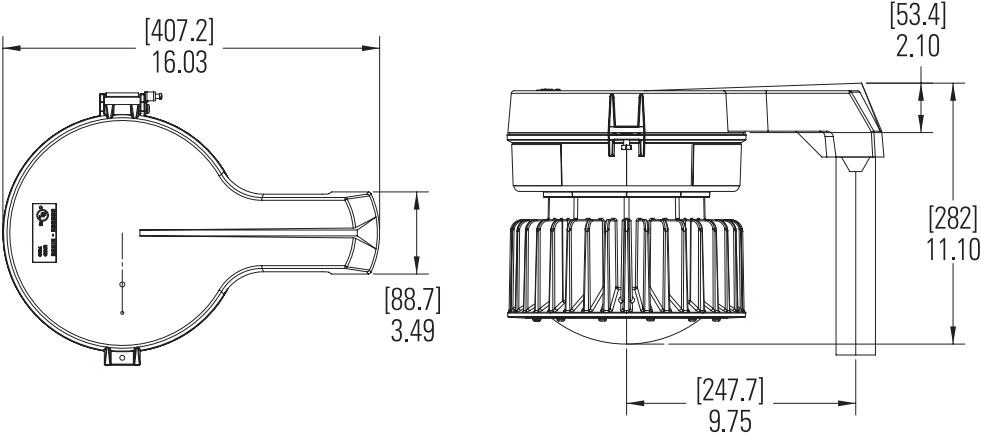
†Tolerance +/- 10%.

Dimensions

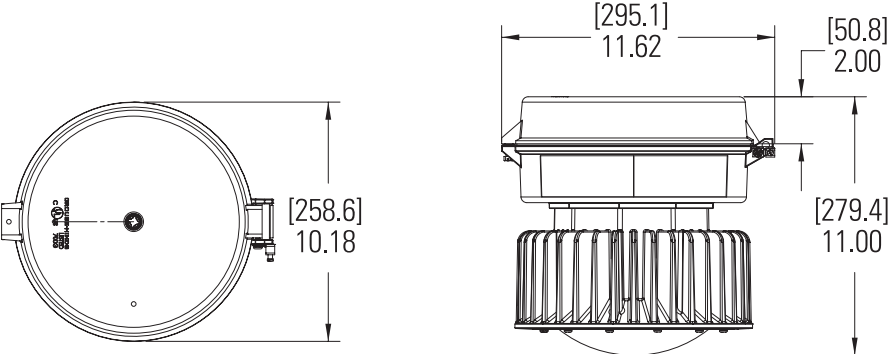
Stanchion - 25° angled



Stanchion - straight

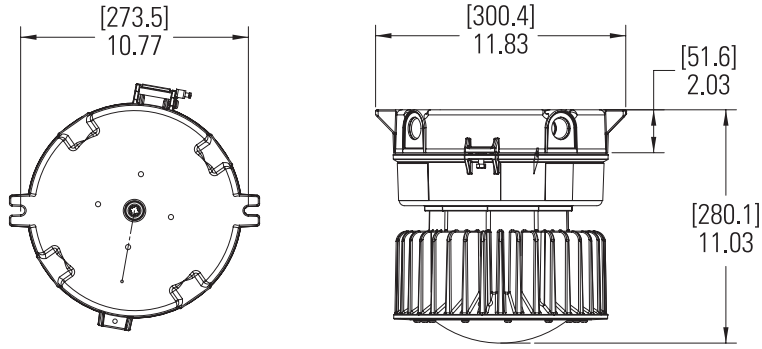


Pendant

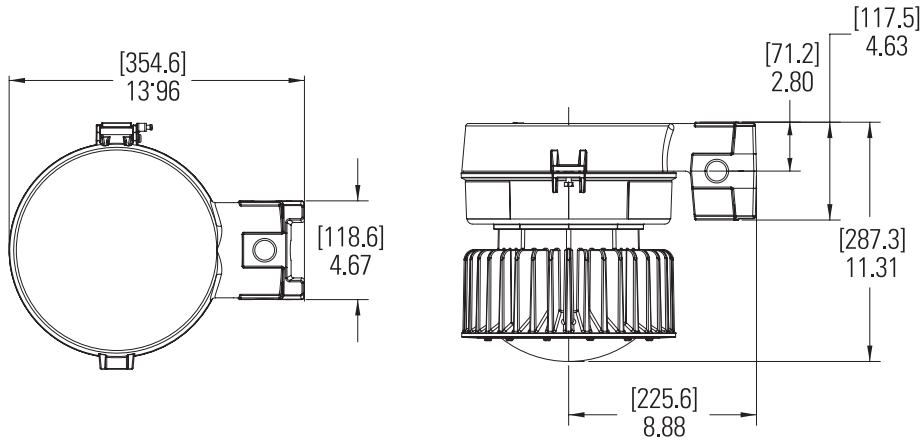


Dimensions

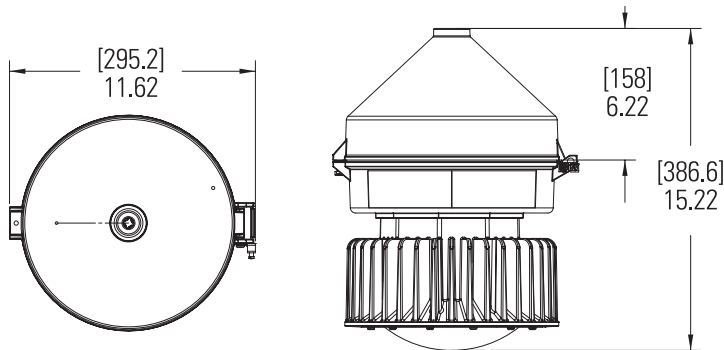
Ceiling



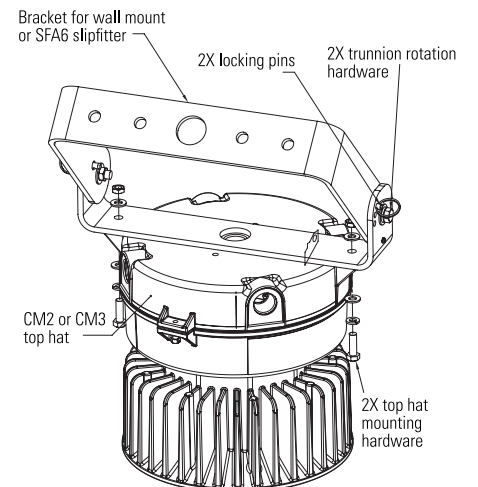
Wall



Cone pendant



Trunnion



Mounting module series

Pendant	Cone	Ceiling	Wall	Stanchion
APM2 APM3 HPM2	BPM2 BPM3	CM2 CM3	TWM2 TWM3	JM5 PM5
VMVL-*				



**U.S. (global headquarters):
Eaton's Crouse-Hinds business**

1201 Wolf Street
Syracuse, NY 13208

(866) 764-5454
FAX: (315) 477-5179
FAX Orders Only:
(866) 653-0640

crousecustomerctr@eaton.com

Eaton's B-Line business

509 West Monroe Street
Highland, IL 62249

800-851-7415
FAX: 618-654-1917
Eaton.com/b-lineseries

IEC Electrical

(CEAG products)
49 (0) 6271 806-500
FAX: 49 (0) 6271 806-476
Info-ex@eaton.com

Airport Lighting

866-764-5454
CrouseCustomerCTR@Eaton.com

Mexico/Latin America/Caribbean

52-555-804-4000
FAX: 52-555-804-4020
ventascentromex@eaton.com

Haz Area Communications

(MEDC, Hernis, Oxalis, FHF Sonix)
44 (0) 1623 444400
FAX: 44 (0) 1623 444531
MEDCadmin@Eaton.com

Canada

Toll Free: 800-265-0502
FAX: (800) 263-9504
FAX Orders only: (866) 653-0645

China

86-21-2899-3600
FAX: 86-21-2899-4055
cchsales@cooperindustries.com

Process instrumentation

(MTL products)
44 (0) 1582 723633
FAX: 44 (0) 1582 422283
enquiry@mtl-inst.com

Eaton Middle East

9714-8066100
FAX: 9714-8894813
CHBL-ME@eaton.com

Australia

61-2-8787-2777
FAX: 61-2-9609-2342
CEASales@cooperindustries.com

For more information:

If further assistance is required, please contact an authorized Eaton Distributor, Sales Office, or Customer Service Department.

Eaton
1000 Eaton Boulevard
Cleveland, OH 44122
United States
Eaton.com

© 2023 Eaton
All Rights Reserved
Printed in USA
Publication No. 5488-0623
September 2023

Eaton is a registered trademark.

All other trademarks are property of their respective owners.

Follow us on social media to get the latest product and support information.

