



Canopy

VN1256LED 56 Watt LED Canopy



SPECIFICATIONS:

Lumens: 5494
Watts: 54.74
Lumens/Watt: 100.4
CRI: 83.8
CCT: 4642
Lifespan: 200,000+ hrs.¹



Project Information

Job Name

Fixture Type 56 Watt LED Canopy

Catalog Number VN1256LED

Approved by

Construction:

Rugged Traditional aluminum die cast housing provides proven environmental protection for LED modules. Traditional fixture designs provide a familiar look and standard installation requirements. Retaining this look allows the ability to upgrade fixtures gradually, while retaining the same overall fixture appearance throughout a facility. The smooth housing prevents debris build up and maximizes airflow over housing.

Glare Free:

Positioning of the LED modules within the housing result in light directed to desired locations and eliminates offensive light.

Lens:

Lens assembly is designed to provide high efficiency and to target the light where needed to satisfy outdoor lighting requirements. Positioning of the LEDs (along with Patent Pending thermal management system) results in the light being directed to desired locations eliminating glare and offensive light.

Thermal Management:

Atlas' Patent Pending exclusive Thermal Stacking Technology System™ features a unique internal design that allows for lower operating temperatures which results in a brighter, whiter light, more stable color and longer LED and driver life.

Listings:

Luminaire is certified to cUL and CSA Standards for Wet Locations

Lighting Facts Certified

DesignLights Consortium qualified luminaire, eligible for rebates from DLC member utilities. DLC Product ID: P00000544

AC Input:

120/208/240/277 V

Driver:

Constant current, Class 2, 120-277 VAC, 50-60 Hz

High Efficiency – min. 86%

0 – 10 V dimming

LEDs:

4500K CCT

Epoxy Guard™ protective conformal coated boards

Atlas LEDs provide higher lumen output, greater energy efficiency and more reliable fixture performance. They are tested and binned at 700mA which is the actual operating current used in Atlas LED luminaires, giving a better representation of actual performance.

Warranty: Five-year limited warranty

Testing:

Atlas LED luminaires have been tested by an independent laboratory in accordance with IESNA LM-79 & LM-80, and have received the Department of Energy "Lighting Facts" label.

Installation:

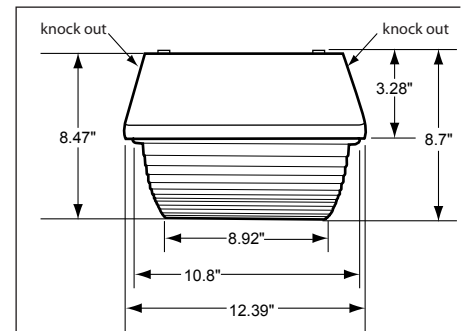
Fixture retains the same knock-out sizes and positions as previous models, reducing wiring costs.

Weight: 7.25 lbs.



Patent Pending

DIMENSIONS:



¹LED Life Span Based Upon LM-80 Test Results

**Rebates and Incentives are available in many areas.
 Contact an Atlas Representative for more information.**

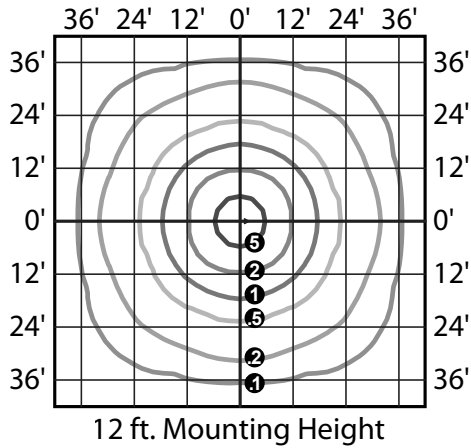
ATLAS LIGHTING PRODUCTS, INC.

PO BOX 2348 | BURLINGTON, NC 27216

800-849-8485 | FAX: 336-227-0110 | www.atlaslightingproducts.com

*The majority of Atlas Lighting Products are assembled in USA facilities by an American Workforce utilizing both Domestic and Foreign components. Meets Buy American requirements within the ARRA.

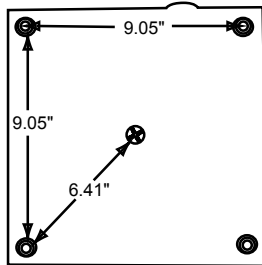
PHOTOMETRIC



ENERGY SAVINGS

LED		HID			ANNUAL SAVINGS
WATTAGE	ANNUAL COST	SOURCE WATTAGE	TOTAL WATTAGE USED	ANNUAL COST	
56	\$24	100	129	\$77	\$53
56	\$24	150	185	\$100	\$76
56	\$24	175	210	\$112	\$88

MOUNTING DETAIL



Atlas Lighting Products, Inc.

LED
lighting facts®

A Program of the U.S. DOE

Light Output (Lumens)	5494
Watts	54.74
Lumens per Watt (Efficacy)	100.4

Color Accuracy	83
Color Rendering Index (CRI)	

Light Color

Correlated Color Temperature (CCT)

4642 (Daylight)

Warm White	Bright White	Daylight	
2700K	3000K	4500K	6500K

All results are according to IESNA LM-79-2008: *Approved Method for the Electrical and Photometric Testing of Solid-State Lighting*. The U.S. Department of Energy (DOE) verifies product test data and results.

Visit www.lightingfacts.com for the *Label Reference Guide*.

Registration Number: PRB4-75G7D1 (2/23/2016)
 Model Number: VN1256LED [Upgrade : 2/23/2016]
 Type: Luminaire - Canopy