



- 100 Amp 600VAC/250VDC; 50-400 Hertz NEMA 3, 4, 4X^①
- **PLUGS ONLY**^②:
 Class I, Div. 1 & 2, Groups B,C,D; NEMA 7 B,C,D
 Class I, Zones 1 & 2, IIB+H₂, IIA
 Class II, Div. 1 & 2, Groups F & G; NEMA 9 F,G; Class III
Wire Range

Regular Stranding: #4 - #2 original style or "AT" type

Extra flex: #4 - #2 original style or "AT" type

UL File No. E10757 SP Certified File No. LR111846



FEATURES-SPECIFICATIONS

100 AMP PLUGS & CONNECTORS						
GROUND STYLE	CIRCUIT	GROMMET RANGE	CATALOG NUMBER			
			PLUG		CONNECTOR	
			ORIG.	AT	ORIG.	AT
Style I	2W2P	.88 - 1.68 IN	VP10277	VP1022	VPR10257	VPR1022
	3W3P	.88 - 1.68 IN	VP10377	VP1033	VPR10357	VPR1033
	4W4P	.88 - 1.68 IN	VP10477	VP1044	VPR10457	VPR1044
Style II	2W3P	.88 - 1.68 IN	VP10387	VP1023	VPR10367	VPR1023
	3W4P	.88 - 1.68 IN	VP10487	VP1034	VPR10467	VPR1034

MODIFICATIONS*	
CATALOG NUMBER	DESCRIPTION
S39	Reverse service for receptacles, plugs & connectors
S37	Polarization for receptacles, plugs & connectors

*See page PR5 for more information on these options.

100 AMP RECEPTACLES & BACK BOXES							
GROUND STYLE	CIRCUIT	CATALOG NUMBER					
		E ^③ TYPE		C ^④ TYPE		RECEPTACLE ONLY	
		ORIG.	AT	ORIG.	AT	ORIG.	AT
Style I	2W2P	VR1021E5	VR1022E5	VR1021C5	VR1022C5	VR1021	VR1022
	3W3P	VR1031E5	VR1033E5	VR1031C5	VR1033C5	VR1031	VR1033
	4W4P	VR1041E5	VR1044E5	VR1041C5	VR1044C5	VR1041	VR1044
Style II	2W3P	VR1032E5	VR1023E5	VR1032C5	VR1023C5	VR1032	VR1023
	3W4P	VR1042E5	VR1034E5	VR1042C5	VR1034C5	VR1042	VR1034
Splice box only ^③		VJ57	VJ57	VJC57	VJC57	VJA100*	VJA100*

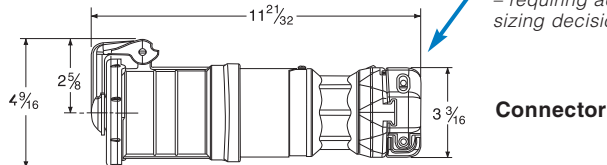
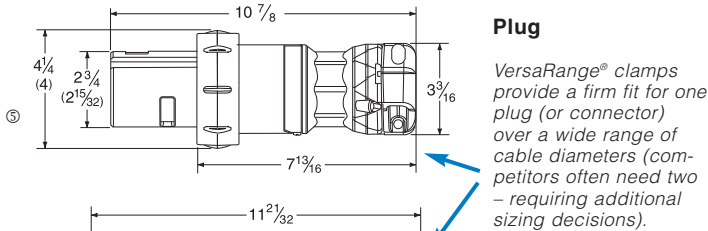
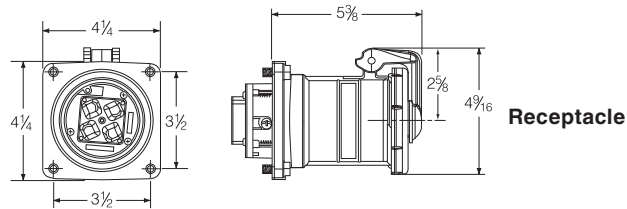
* Angle adapter only

③ 100 Amp Back Boxes are available in 1", 1-1/4", 1-1/2" & 2" conduit sizes.

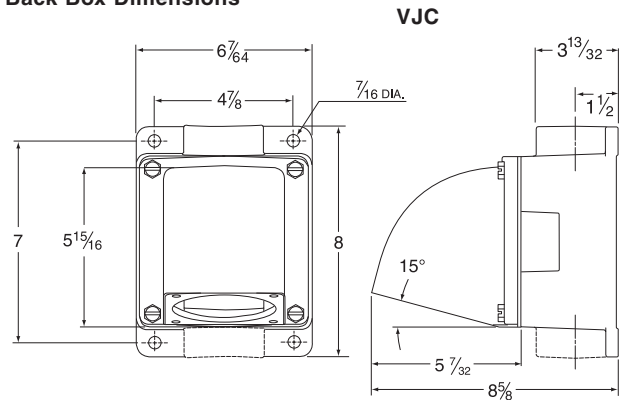
Size listed above is 1-1/2". For other available sizes, change the BOLD "5" in either the assembly or box only number as follows:

3=1", 4=1-1/4", 5=1-1/2", 6=2". Assembly catalog numbers are listed for ease of ordering or specification and devices are shipped as components.

④ 100 Amp Boxes & Adapters also fit 60 Amp receptacles. Adapter only can be used to attach receptacle at an angle to a standard sheet metal box.



Back Box Dimensions



① Components are interchangeable & UL classified with other UL1686 configured devices (when installed in accordance with instructions furnished with device). Assemblies containing components from other manufacturers would have the NEMA type rating of the lowest rated device.

② Plugs hazardous suitable when mated with properly rated receptacles configured to use UL1686 type plugs, such as VersaMate VBQ.

③ Dimensions in () are 3 pole devices; balance are 4 pole.



- 100 Amp 600VAC/250VDC; 50-400 Hertz NEMA 3, 4, 4X^①
- **PLUGS ONLY**^②:
 Class I, Div. 1 & 2, Groups B,C,D; NEMA 7 B,C,D
 Class I, Zones 1 & 2, IIB+H₂, IIA
 Class II, Div. 1 & 2, Groups F & G; NEMA 9 F,G; Class III

Regular Stranding: #4 - #2 original style or "AT" type
 Extra flex: #4 - #2 original style or "AT" type

UL File No. E10757 SP Certified File No. LR111846



FEATURES-SPECIFICATIONS

100 AMP PLUGS & CONNECTORS							
GROUND STYLE	CIRCUIT	GROMMET RANGE	CATALOG NUMBER				
			PLUG		CONNECTOR		
			ORIG.	AT	ORIG.	AT	
Style I	2W2P	.88 - 1.68 IN	VP10277	VP1022	VPR10257	VPR1022	
	3W3P	.88 - 1.68 IN	VP10377	VP1033	VPR10357	VPR1033	
	4W4P	.88 - 1.68 IN	VP10477	VP1044	VPR10457	VPR1044	
Style II	2W3P	.88 - 1.68 IN	VP10387	VP1023	VPR10367	VPR1023	
	3W4P	.88 - 1.68 IN	VP10487	VP1034	VPR10467	VPR1034	

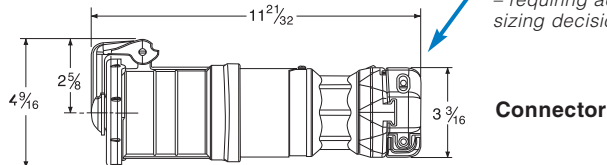
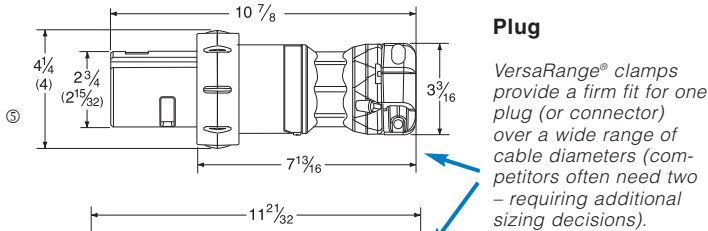
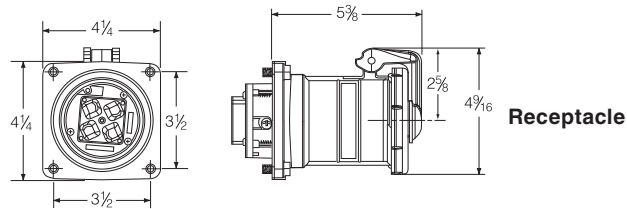
MODIFICATIONS*	
CATALOG NUMBER	DESCRIPTION
S39	Reverse service for receptacles, plugs & connectors
S37	Polarization for receptacles, plugs & connectors

*See page PR5 for more information on these options.

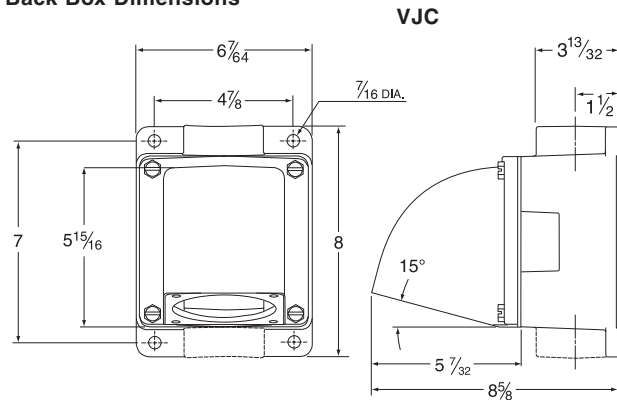
100 AMP RECEPTACLES & BACK BOXES							
GROUND STYLE	CIRCUIT	CATALOG NUMBER					
		E ^③ TYPE		C ^④ TYPE		RECEPTACLE ONLY	
		ORIG.	AT	ORIG.	AT	ORIG.	AT
Style I	2W2P	VR1021E5	VR1022E5	VR1021C5	VR1022C5	VR1021	VR1022
	3W3P	VR1031E5	VR1033E5	VR1031C5	VR1033C5	VR1031	VR1033
	4W4P	VR1041E5	VR1044E5	VR1041C5	VR1044C5	VR1041	VR1044
Style II	2W3P	VR1032E5	VR1023E5	VR1032C5	VR1023C5	VR1032	VR1023
	3W4P	VR1042E5	VR1034E5	VR1042C5	VR1034C5	VR1042	VR1034
Splice box only ^⑤		VJ57	VJ57	VJC57	VJC57	VJA100*	VJA100*

* Angle adapter only
^③ 100 Amp Back Boxes are available in 1", 1-1/4", 1-1/2" & 2" conduit sizes. Size listed above is 1-1/2". For other available sizes, change the BOLD "5" in either the assembly or box only number as follows: **3**=1", **4**=1-1/4", **5**=1-1/2", **6**=2". Assembly catalog numbers are listed for ease of ordering or specification and devices are shipped as components.

^④ 100 Amp Boxes & Adapters also fit 60 Amp receptacles. Adapter only can be used to attach receptacle at an angle to a standard sheet metal box.



Back Box Dimensions



- ① Components are interchangeable & UL classified with other UL1686 configured devices (when installed in accordance with instructions furnished with device). Assemblies containing components from other manufacturers would have the NEMA type rating of the lowest rated device.
- ② Plugs hazardous suitable when mated with properly rated receptacles configured to use UL1686 type plugs, such as VersaMate VBQ.
- ③ Dimensions in () are 3 pole devices; balance are 4 pole.