

Plug

Connector

- 100 Amp 600VAC/250VDC; 50-400 Hertz NEMA 3, 4, 4X, ①
- **PLUGS ONLY**②: Class I, Div. 1 & 2, Groups B,C,D; NEMA 7 B,C,D Class I, Zones 1 & 2, IIB+H₂, IIA Class II, Div. 1 & 2, Groups F & G; NEMA 9 F,G; Class III

Wire Range

Regular Stranding: #4 - #2

Extra flex: #4 - #2

UL File No. E10757 SF Certified File No. LR111846



E

C

Receptacle

FEATURES-SPECIFICATIONS

100 AMP PLUGS & CONNECTORS				
GROUND STYLE	CIRCUIT	GROMMET RANGE	CATALOG NUMBER	
			PLUG	CONNECTOR
Style I	2W2P	.88 - 1.68 IN	VP10277	VPR10257
	3W3P	.88 - 1.68 IN	VP10377	VPR10357
	4W4P	.88 - 1.68 IN	VP10477	VPR10457
Style II	2W3P	.88 - 1.68 IN	VP10387	VPR10367
	3W4P	.88 - 1.68 IN	VP10487	VPR10467

MODIFICATIONS*	
CATALOG NUMBER	DESCRIPTION
S39	Reverse service for receptacles, plugs & connectors
S37	Polarization for receptacles, plugs & connectors

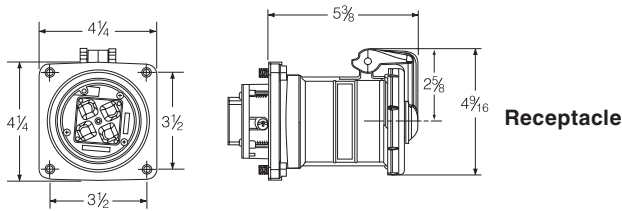
*See page PR5 for more information on these options.

100 AMP RECEPTACLES & BACK BOXES				
GROUND STYLE	CIRCUIT	CATALOG NUMBER		
		E ③ TYPE	C ③ TYPE	RECEPTACLE ONLY
Style I	2W2P	VR1021E5	VR1021C5	VR1021
	3W3P	VR1031E5	VR1031C5	VR1031
	4W4P	VR1041E5	VR1041C5	VR1041
Style II	2W3P	VR1032E5	VR1032C5	VR1032
	3W4P	VR1042E5	VR1042C5	VR1042
Splice box only w/adaptor④		VJ57	VJC57	Angle adaptor only VJA100

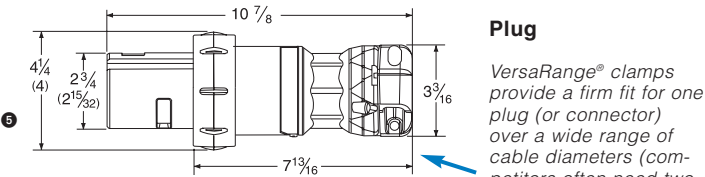
③ 100 Amp Back Boxes are available in 1", 1-1/4", 1-1/2" & 2" conduit sizes. Size listed above is 1-1/2". For other available sizes, change the BOLD "5" in either the assembly or box only number as follows:

3=1", 4=1-1/4", 5=1-1/2", 6=2". Assembly catalog numbers are listed for ease of ordering or specification and devices are shipped as components.

④ 100 Amp Boxes & Adapters also fit 60 Amp receptacles. Adapter only can be used to attach receptacle at an angle to a standard sheet metal box.

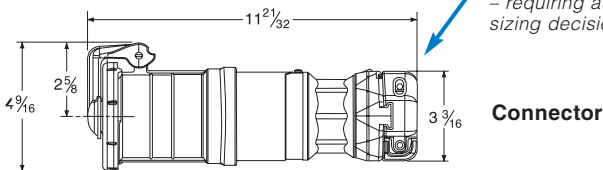


Receptacle



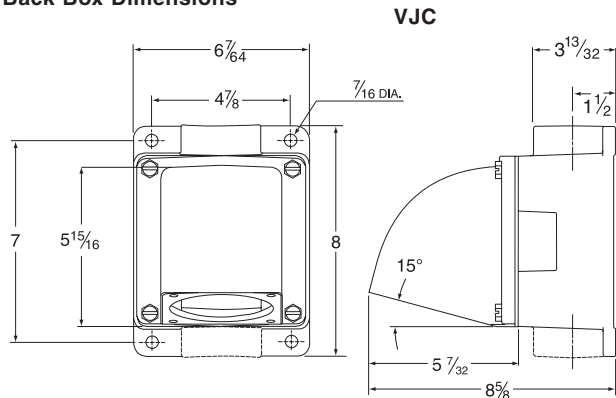
Plug

VersaRange® clamps provide a firm fit for one plug (or connector) over a wide range of cable diameters (competitors often need two - requiring additional sizing decisions).



Connector

Back Box Dimensions



Feed through style shown

① Components are interchangeable & UL classified with other UL1686 configured devices (when installed in accordance with instructions furnished with device). Assemblies containing components from other manufacturers would have the NEMA type rating of the lowest rated device.

② Plugs hazardous suitable when mated with properly rated receptacles configured to use UL1686 type plugs, such as VersaMate VBQ.

⑤ Dimensions in () are 3 pole devices; balance are 4 pole.



VR/VP



VSQ



VBQ

600 VAC/250VDC; 50-400 Hertz
NEMA 3, 4, 4X
Class I, Div. 1 & 2, Groups B,C,D;
NEMA 7 B,C,D^②
Class I, Zones 1 & 2, IIB+H₂, IIA^②
Class II, Div. 1 & 2, Groups F & G;
NEMA 9 F,G^②
Class III^②



FEATURES-SPECIFICATIONS

NEMA 4X VersaMATE®

THE FIRST AND ONLY NEMA 4X RATED LINE OF METALLIC PLUGS & RECEPTACLES.

VersaMate® metallic pin & sleeve plugs & receptacles are designed for heavy duty industrial use. These devices supply power to both fixed and portable electrical equipment including pumps, generators, welders, vacuums, blowers and similar apparatus.

Suitable for indoor or outdoor use. Applications include the wet, cold, hosedown, hazardous or corrosive areas in such industrial applications as:

- Pulp & Paper Mills
- Electrical Power Plants
- Petrochemical Plants
- Wastewater Treatment
- Marine, Docks, Ports
- Construction Sites
- Breweries
- Refineries
- Chemical Plants
- Grain Facilities
- Textile Manufacturing
- Food Processing Facilities

Standard Materials:

Copper-free aluminum construction with electrostatically applied epoxy/polyester finish. Contacts are brass with a patented beryllium copper spring tensioner. External screws are 316 stainless steel.

Features:

The VersaMate product line includes 30, 60, 100 and 200 Amp plugs, receptacles and connectors with a full range of back boxes. Popular options include reverse service and polarization. The VersaMate line is **FULLY INTERCHANGEABLE**^① with UL1686 configured and listed devices such as Crouse-Hinds® Arktite® or Appleton® Powertite®. Standard location receptacle bolt hole patterns match competitive back boxes so users can upgrade to VersaMate without changing back boxes in instances where changing the conduit system is difficult.

^① VersaMate® components are UL classified and intermateable with other UL 1686-C1 configured devices (when installed in accordance with instructions furnished with device). Assemblies containing components from other manufacturers would have the NEMA type rating of the lowest rated device.

^② See product pages for specific ratings.

Arktite® is a registered trademark of Crouse-Hinds®.

Powertite® is a registered trademark of Appleton®.



KILLARK®

Plugs:

Octagonal style (Patented) for a firm and sure grip when connecting or disconnecting is featured on both plug and cable connector bodies. Insulators have high mechanical and dielectric strength and “Low Arc Tracking.” “Increased Safety” type box terminals with gripper ribs securely clamp around conductors. Funneled conductor entry chambers lead all properly stripped conductors into terminals **simultaneously**. NEMA 4X rating when inserted into VersaMate receptacle and locking ring is tightened.



Receptacles:

Exclusive Patented “Breach-Lock” cap serves as either flip lid or screw cover. Receptacle is NEMA 3R with lid snapped shut or NEMA 4X with lid turned shut or when VersaMate plug is inserted and locking ring tightened. Patented notch in cap arm holds cap open for easy plug insertion or maintenance. Patented pin design uses slotted spring clip which avoids excessive wear while providing continuous electrical pin to sleeve contact. VersaMate® receptacles use the same “Increased Safety” terminals and funnel design as VersaMate® plugs.



Cable Clamping Assembly:

Plugs and cable connectors are supplied with an exclusive neoprene “Onion Skin” peel-away type grommet. The VersaRange® cable clamp system captures cable with **four grip points** using **only two** tightening screws. Clamp guide assembly provides a firm fit over a wide range of cable diameters. Non-removable set screws prevent clamp guide assembly from backing out. Clamps have smooth contoured shoulder design to prevent snags or damage when moving equipment.



Back Boxes:

VersaMate back boxes come in a variety of mounting styles. Exclusive “blind” receptacle mounting holes prevent moisture from entering box via thread cavities. Boxes come with a green grounding screw.

