

TECHNICAL DATA SHEET - INTERACTIVE PDF

Light fixture, with guard and globe

Vapor tight

redodot™



01



02

Ceiling or pendant mount outdoor light fixtures

Certifications / Standards:



3-Part Specification: 26 56 23

End User Tools

01 VKG-11-C
02 VXG-11-C

Features & Benefits:

- Suitable for wet locations when base bottom surface is mounted facing upward in vertical position (as shown in drawing below).
- Surfaces are precision cast/machined for safer wire pulling
- Replaceable porcelain socket with high temperature leads.
- ½" hubs
- Includes gaskets
- VKG-11-C
 - Pendant mount with globe
 - Medium base screw sockets
 - Cast guard
- VXG-11-C
 - Ceiling mount cross feed box cap with globe
 - Medium base screw sockets
 - 4 Closure plugs
 - Cast mounting lugs and guard
- Lamp types (not included)
 - Max. 100W/120V medium base incandescent lamp
 - Max. 27W/120V medium base LED lamp
 - Max. 27W/120V medium base CFL lamp

Conforms to:

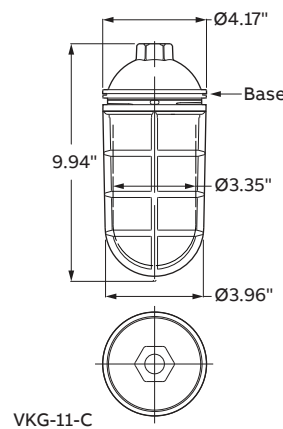
- UL 1598

Material / Finishes

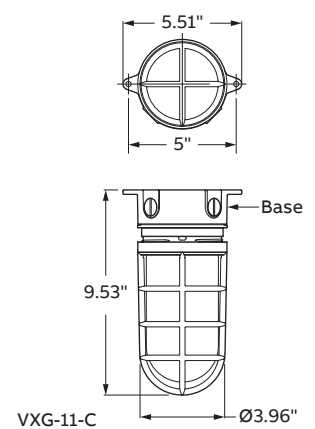
- Globe: Soda lime glass
- Cap and Guard: Die cast aluminum / Powder coat painted

Applications:

- Indoor/outdoor lighting



VKG-11-C



VXG-11-C

tnb.abb.com (US/Latin America)
tnb.ca.abb.com (Canada)
abb.com

We reserve the right to make technical changes or modify the contents of this document without prior notice. With regard to purchase orders, the agreed particulars shall prevail. ABB does not accept any responsibility whatsoever for potential errors or possible lack of information in this document.

We reserve all rights in this document and in the subject matter and illustrations contained therein. Any reproduction – in whole or in part – is forbidden without prior written consent of ABB. © 2021 ABB Installation Products Inc. and/or its related companies. All Rights Reserved.