

EQ® Load Centers—Small Circuit Load Centers

1-Phase, 3-Wire SN, 120/240Volts AC

Features/Applications

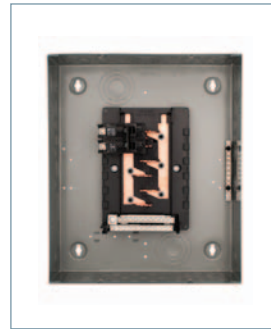
EQ Load Centers with main lugs feature a combination trim box in one package.

- Interiors offer removal in seconds
- Single phase
- One piece bus bar construction designed for use only with circuit breakers
- UL Listed
- UL listed on 60/75°C conductors (see equipment markings for applications)
- Positive load side circuit breaker hook rails
- Outdoor Type 3R devices use HS Type hubs. See page 1-22.



Small Circuit Load Centers

Ideal for subfeed applications



Renovation Panel

Ideal for older home renovation projects where the distance between the studs is narrower than current construction practices. The narrower panel eliminates the need to 'notch' out the existing studs.



Spa Panels

Spa Panels are ideal for outdoor applications requiring the use of ground fault protection, such as hot tubs. A factory installed 2-Pole GFCI breaker is provided, along with 2 extra circuits.

Main Lugs with Aluminum Bus[Ⓒ]

4–16 circuits, 100–125 Amperes

100,000A IR

1-Phase, 3-Wire, SN 120/240 Volts AC

Branch Circuits				Indoor Enclosure — NEMA Type 1					Outdoor Enclosure — NEMA Type 3R				
Amp Rating	Max. 1-Pole No. of Spaces	No. of Circuits	QP Max. 2-Poles	Catalog Number— Replace Suffix F (Flush) with S for Surface Mounting	Std. Pkg.	Dimensions (inches)			Catalog Number	Std. Pkg.	Dimensions (inches)		
						H	W	D			H	W	D
100	12	24	6	E1224ML1100FG [Ⓓ]	1	14 3/4	12 3/8	3 7/8	—	—	—	—	
125	4	8	2	E0408ML1125F ^{ⒺⒻⒼ}	5	12 5/8	6 5/8	3 1/2	W0408ML1125 ^{ⒺⒻⒼ}	5	12 1/4	6	4 1/4
125	4	8	2	—	—	—	—	—	W0408L1125SPA50 ^{ⒻⒼⒿ}	1	12 1/4	6	4 1/4
125	4	8	2	—	—	—	—	—	W0408L1125SPA60 ^{ⒻⒼⒿ}	1	12 1/4	6	4 1/4
125	8	16	4	E0816ML1125F [Ⓔ]	1	14 3/4	12 3/8	3 7/8	—	—	—	—	

Main Lug and Main Breaker with Copper Bus^{ⒸⒹ}

4–16 circuits, 100–225 Amperes

100,000A IR

1-Phase, 3-Wire, SN 120/240 Volts AC

Branch Circuits				Indoor Enclosure — NEMA Type 1					Outdoor Enclosure — NEMA Type 3R				
Amp Rating	Max. 1-Pole No. of Spaces	No. of Circuits	QP Max. 2-Poles	Catalog Number	Std. Pkg.	Dimensions (inches)			Catalog Number	Std. Pkg.	Dimensions (inches)		
						H	W	D			H	W	D
100	10	20	4	E1020MB1100FCGP [Ⓔ]	1	14 3/4	12 3/8	3 7/8	—	—	—	—	
100	12	24	6	E1224ML1100FCU	1	14 3/4	12 3/8	3 7/8	—	—	—	—	
125	8	16	4	E0816ML1125FCU [Ⓔ]	1	14 3/4	12 3/8	3 7/8	W0816ML1125CU [Ⓔ]	1	14 3/4	12 1/8	4 1/4
125	8	16	4	E0816ML1125SCU	1	14 3/4	12 3/8	3 7/8	—	—	—	—	
225	4	6	2	—	1	—	—	—	W0406ML1225CU [Ⓔ]	1	23	10	4 1/8
200	4	4	2	—	1	—	—	—	W0404MB1200CT ^{ⒺⒻ}	1	20	11 1/8	4 3/4
150	4	4	2	—	1	—	—	—	W0404MB1150CTS ^{ⒺⒻ}	1	20	11 1/8	4 3/4
200	4	4	2	—	1	—	—	—	W0404MB1200CTS ^{ⒺⒻ}	1	20	11 1/8	4 3/4

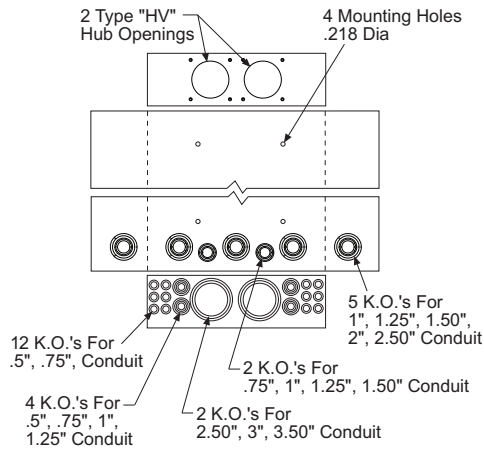
Ⓓ 70 amp maximum breaker.
 Ⓔ Will not accommodate 2-pole GFCI or circuit breaker with shunt trip.
 Ⓕ Can accommodate 2-pole GFCI breaker up to 50A. For 2-pole 60A GFCI, a restriction of #6 wire applies due to wire bend space of the enclosure. Will not accommodate circuit breaker with shunt trip.
 Ⓖ 100 amp maximum breaker.

Ⓒ Suitable for use as service entrance equipment when a main breaker (125A maximum) is back-fed in a branch position and used with main breaker retainer clip (Cat. No. ECMBR1).
 Ⓓ Suitable for use as service entrance when not more than six main disconnecting means are provided. Check local codes and restrictions.
 Ⓔ Two Q115 and one Q230 breaker included.
 Ⓕ W0408L1125SPA50 provided with factory installed QF50 and ground bar. W0408L1125SPA60 provided with factory installed QF260 and ground bar.

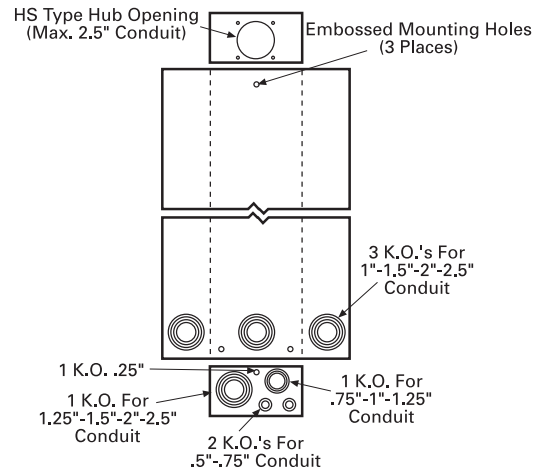
Ⓒ Copper Bus load centers are recommended for those applications where the environment may be severe (i.e. farm and coastal areas).
 Ⓔ 2" HS Type hub provided.
 Ⓕ Type QNR main breaker factory installed.
 Ⓖ CSA Listed
 Ⓖ Cover plate included

Load Centers

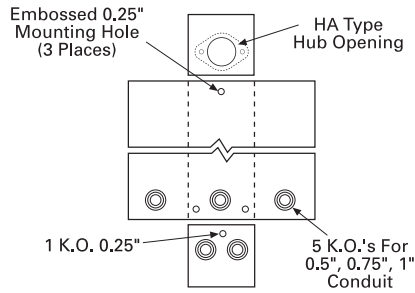
Outdoor Enclosures—Knockout Diagrams



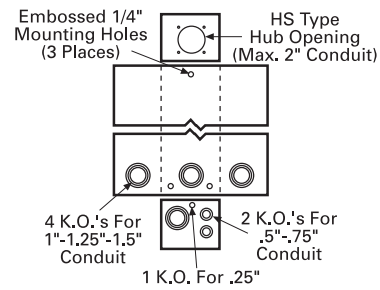
**Outdoor 400A
Load Center**



W0406ML1125CU



W0204ML1060



W0408ML1125