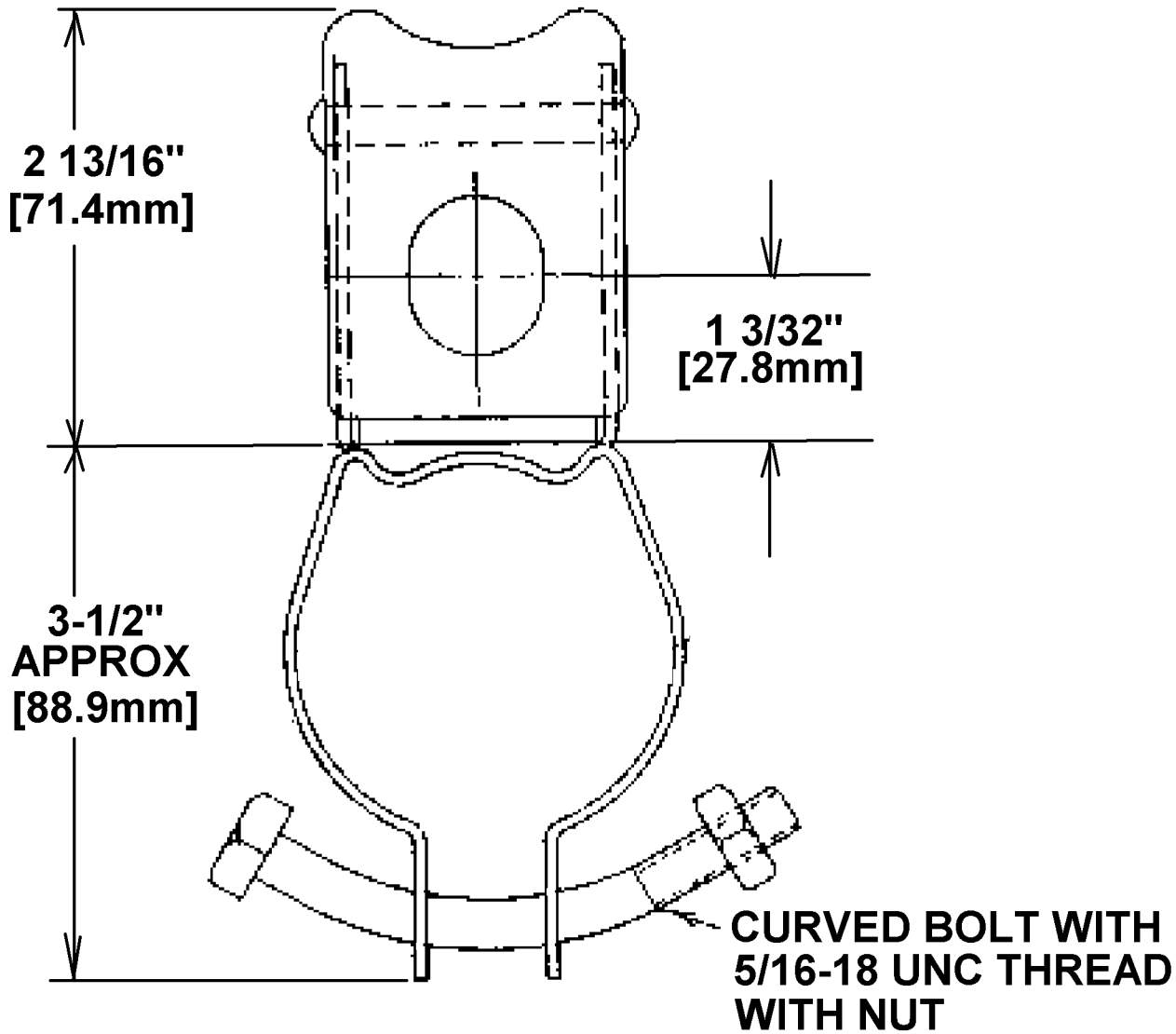


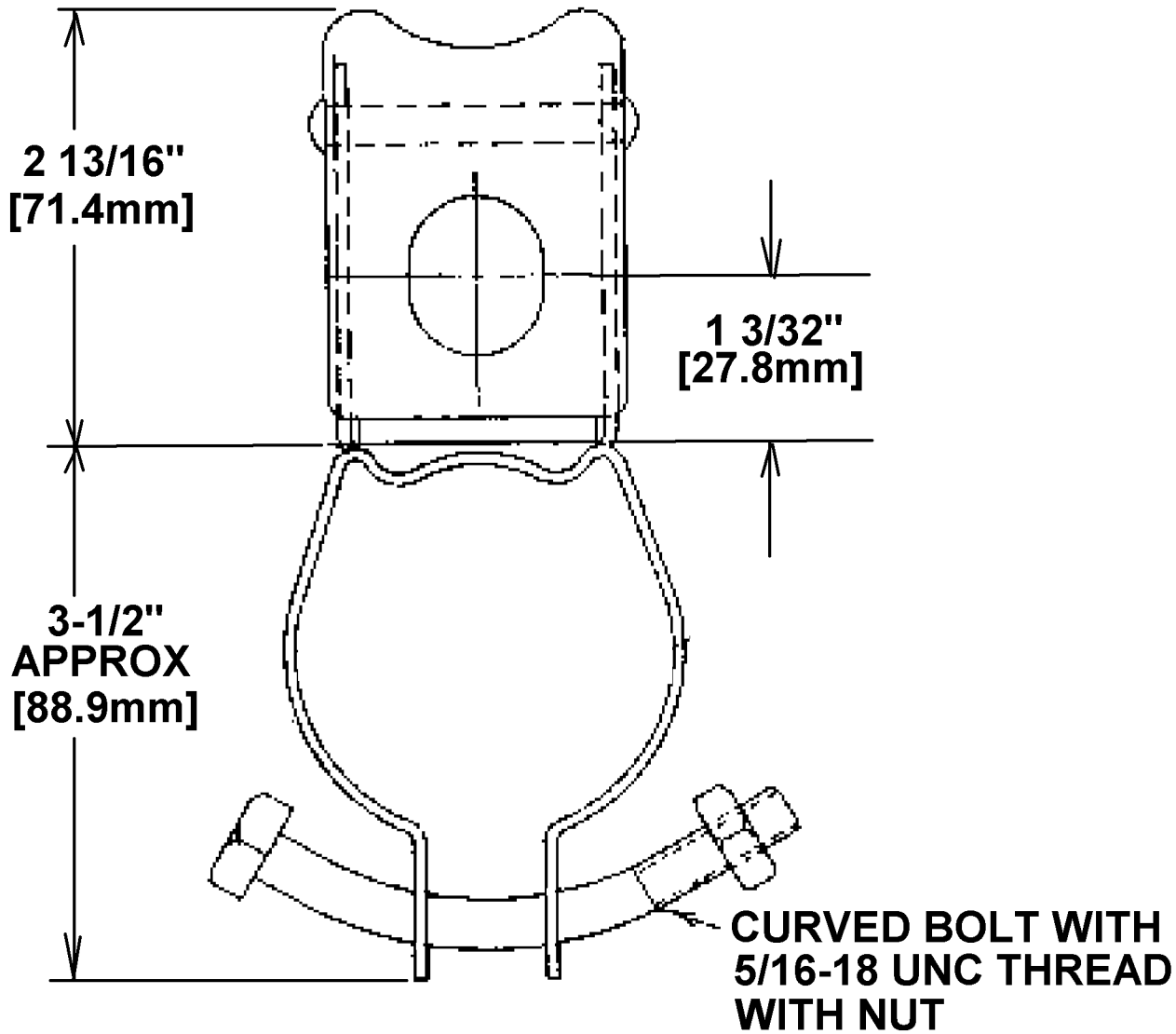
Steel City



CATALOG NO. W33
 PORCELAIN WIRE HOLDER PIPE MOUNTED,
 2-1/2" [63mm] CONDUIT SIZE
 MAXIMUM PULL 1500 LBSF [681 KGF]

GENERAL NOTES		Thomas & Betts A Member of the ABB Group			
1. ALL DIMENSIONS ARE FOR REFERENCE ONLY. 2. DIMENSIONS IN BRACKETS [] ARE IN METRIC UNITS.					
REVISIONS		DESCRIPTION: W33 INSULATOR (WIREHOLDER) ORIGINAL PROJECT NO / (ERN NO) SHEET NO: REV. NO: DRAWING NO: RM401839 / (2015581) 1 OF 1 - WSD-001277			
** SEE ERN (****) FOR APPROVAL SIGNATURES & RELEASE DATE. PROJECT NO: ****					

Steel City



**CATALOG NO. W33
PORCELAIN WIRE HOLDER PIPE MOUNTED,
2-1/2" [63mm] CONDUIT SIZE
MAXIMUM PULL 1500 LBSF [681 KGF]**

GENERAL NOTES		Thomas & Betts A Member of the ABB Group			
1. ALL DIMENSIONS ARE FOR REFERENCE ONLY. 2. DIMENSIONS IN BRACKETS [] ARE IN METRIC UNITS.					
REVISIONS		DESCRIPTION: W33 INSULATOR (WIREHOLDER)			
** SEE ERN (****) FOR APPROVAL SIGNATURES & RELEASE DATE. PROJECT NO: ****		ORIGINAL PROJECT NO / (ERN NO) RM401839 / (2015581)	SHEET NO: 1 OF 1	REV. NO: -	DRAWING NO: WSD-001277