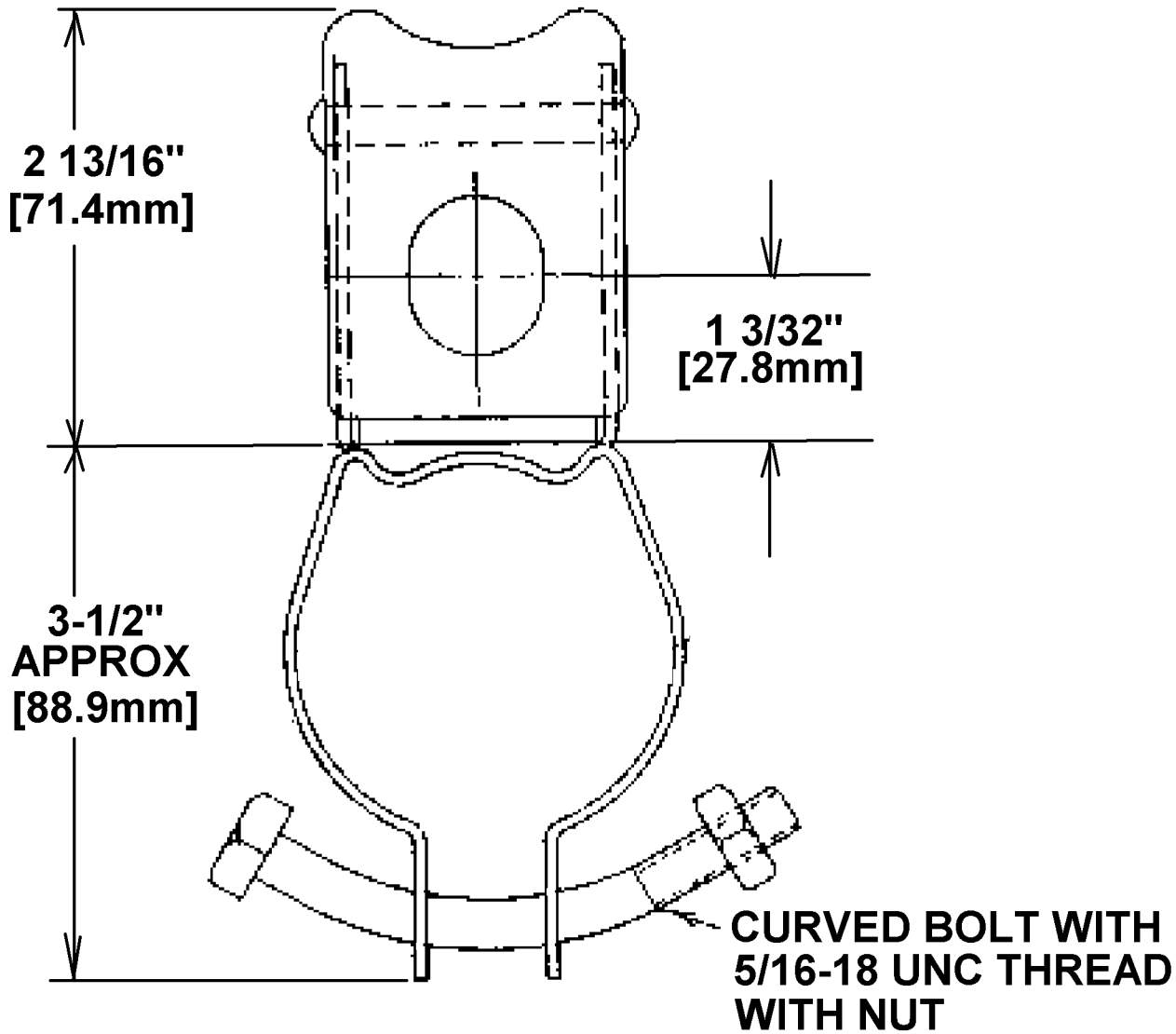


Steel City



CATALOG NO. W33
PORCELAIN WIRE HOLDER PIPE MOUNTED,
2-1/2" [63mm] CONDUIT SIZE
MAXIMUM PULL 1500 LBSF [681 KGF]

GENERAL NOTES	Thomas & Betts A Member of the ABB Group		
1. ALL DIMENSIONS ARE FOR REFERENCE ONLY. 2. DIMENSIONS IN BRACKETS [] ARE IN METRIC UNITS.	www.tnb.com		
REVISIONS	DESCRIPTION: W33 INSULATOR (WIREHOLDER)		
** SEE ERN (****) FOR APPROVAL SIGNATURES & RELEASE DATE. PROJECT NO: ****	ORIGINAL PROJECT NO / (ERN NO) RM401839 / (2015581)	SHEET NO: 1 OF 1	REV. NO: -
	DRAWING NO: WSD-001277		