

Features

- Heavy duty two piece, die cast aluminum housing.
- Specular anodized aluminum reflector.
- Silicone gasketing provides protection against moisture.
- Mounts directly to 3-1/2" octagon or 4" square outlet box.
- 1/2" NPS tapped holes provided in three locations for surface conduit entry or optional photo control.

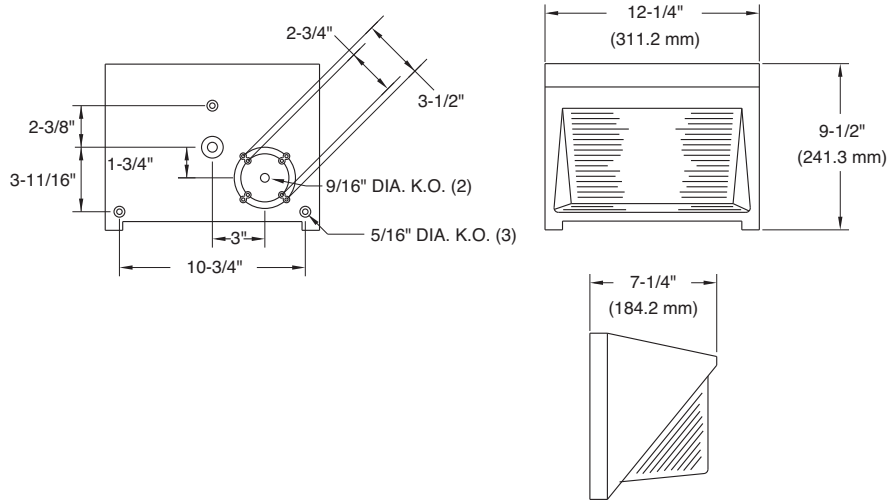
- Dark bronze polyester powder finish for impact, corrosion and UV resistance.
- Integral cast-in aluminum hinges permit complete removal of lens frame assembly without tools.
- Clear prismatic borosilicate glass refractor is thermal and shock resistant.
- UL 1598 Listed wet location, 25°C ambient, and feed-through wiring for all lamp wattages listed.



WLP MEDIUM LOW PROFILE WALL PACK

The WLP with its low profile, compact design is excellent for security, accent and perimeter lighting in areas such as building facades, entrance ways, garage doors, indoor parking garages, tunnels, overpasses, and alleys.

DIMENSIONS



Accessories (order separately)

- **VCWLP** - Full Cutoff Shield
- **WGWLP** - Wire Guard
- **VSWLP** - Vandal Shield
- **PEC-MT** - Photo Control multi-volt
- **PEC-48** - Photo Control 480 volt

(For additional descriptions of Wall Light accessories refer to pages 818-819.)

SAMPLE CATALOG NUMBER: WLP175MMT-LP

Footnotes:

- ¹Metal Halide only.
- ²DT only.
- ²²Not available in 70 watt Metal Halide.
- ²⁹Pre-wired by factory.
- ⁴⁰Requires 120 volt secondary power supply.
- ⁴³Use with 208, 240, and 480 volt.
- ⁴⁶Use with 120, 277, and 347 volt.

General Notes:

All options are factory installed.
 Medium Base lamp: 50-150 watt.
 Mogul Base lamp: 175 watt.
 All accessories are field installed.
 Data subject to change without notice.

Warning: Refer to and follow the lamp manufacturer's warnings and instructions.

For ballast electrical data, see pages 747-750.

