



WMPAC525FCW cutaway with white flange and cover.

## Simplified Box Design for In-Wall Power and Data Applications

WMPAC525, WMPAC526, WMPAC527

The WMPAC Series Wall Boxes offer access to A/V, Power and Data applications in a simplified design for use behind flat-screen TVs. With knockouts for single-gang outlets and conduit, this box is ideal for retrofit or new build applications to provide an organized, recessed space for routing excess cables and for attaching surge protectors/power conditioners. The wall boxes work with a variety of Chief wall mounts, giving a clean installation and superior user experience.

## Features & Benefits

- **Multiple Depth Compatibility:** Easily change box depth for 3.5" or 2.5" stud bays (89 or 64 mm) with breakaway edges.
- **Flexible Mounting:** Stud mountable and can be mounted to drywall with the flange configurations.
- **Easy Knockouts:** Knockouts around box for single-gang outlets and 1-1/4", 1" & 1/2" conduit to meet specific needs on site. Cover knockouts for cable routing, ventilation and tamper proof security.
- **Simple Design:** Black or white flanges and covers, paintable to blend with any environment.
- **Equipment Mounting:** Enclosure UL 2416 listed for installation of AV, IT & Communication Technology Equipment, so it is rated to store a variety of AV components.
- **Integrated Cable Management:** Box features integrated universal zip tie anchor points for cable management.
- **Compatible with Chief wall mounts:** Works seamlessly with the PST, PRO, MSR, MTR, MWH, MWR, PWRm PNR, PDR, Thinstall and FUSION wall mounts.
- **Lever Lock™ Mounting System:** Optional mounting brackets and Lever Lock plate enables mounting of small AV equipment within the box.



Easy Knockouts



Zip Tie Anchor Points



Break Away Edges



Drywall or Stud Mountable

## Vertical Markets

- Commercial
- Education
- Healthcare
- Hospitality
- Entertainment
- Retail

## Compliance



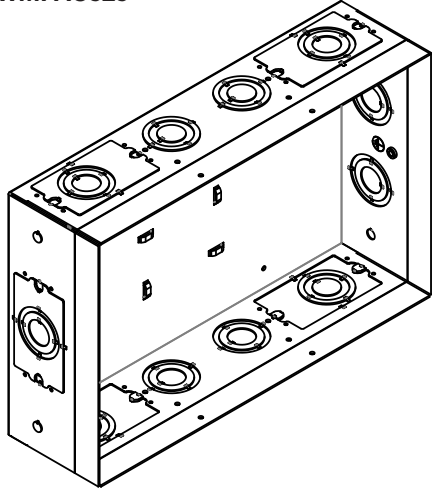
cULus Listed, Audio/Video, Information and Communication Technology Equipment Cabinet, Enclosure and Rack Systems, File Number E309432, Guide NWIN

**WMPAC525 Series Wall Box Ordering Information**

Catalog No./Item

Description / Specifications

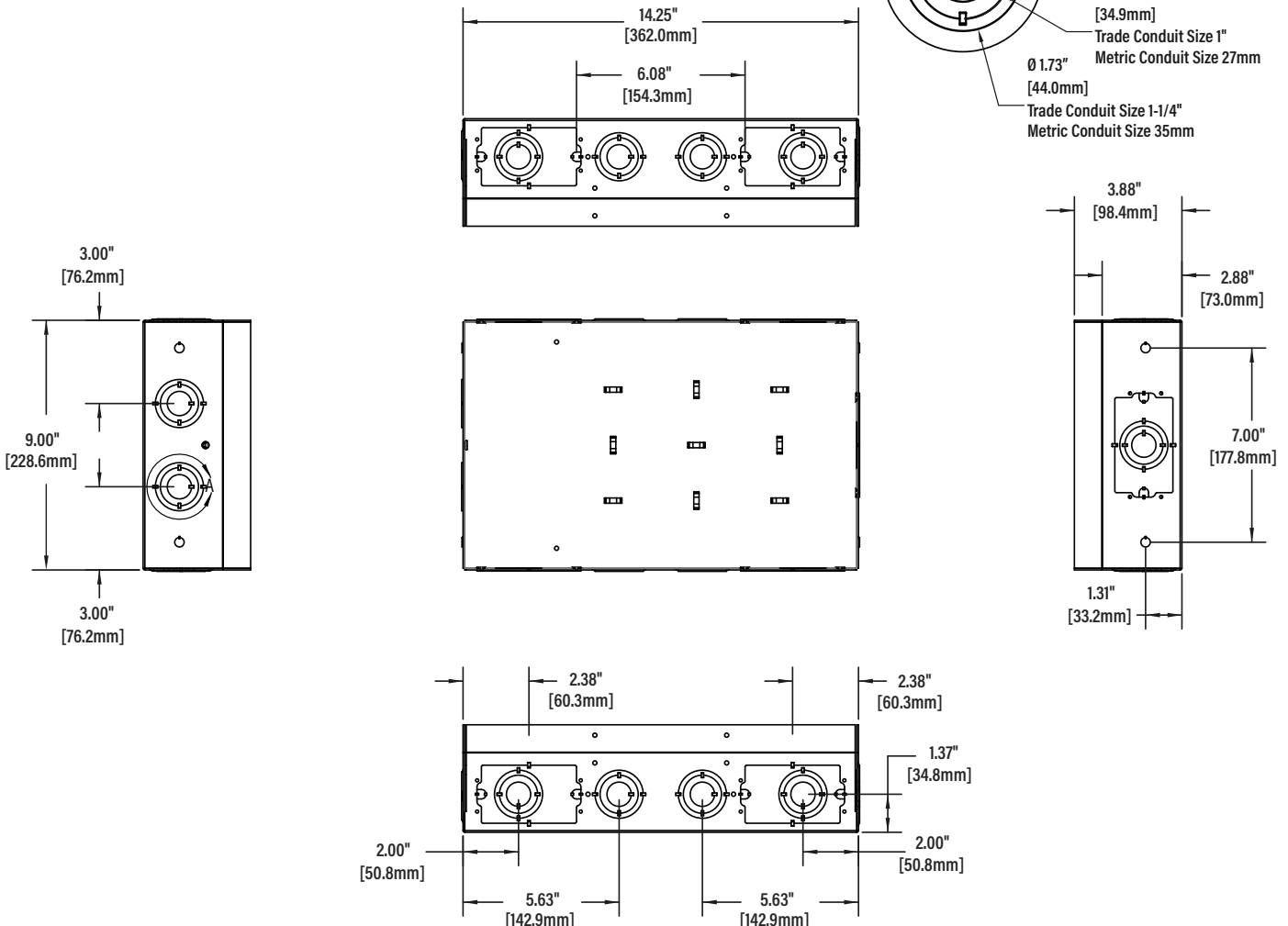
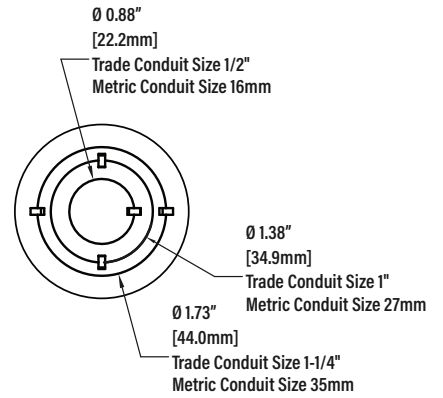
WMPAC525



**In-Wall Box** – Designed to be mounted to a 2” x 4” [51mm x 102mm] wood stud wall 16” on center or 2” x 4” -25ga (minimum) steel studs. The box has a total of five (5) 1-gang knockout locations for mounting AC outlets and eleven (11) trade size conduit knockouts for additional cabling needs. The breakaway edges allow the box’s depth to be easily changed in the field for 3.5” or 2.5” stud bays.

**Country of Origin: China**

**WMPAC525 Series Wall Box Dimensions: 9" x 14.25" x 3.9"**

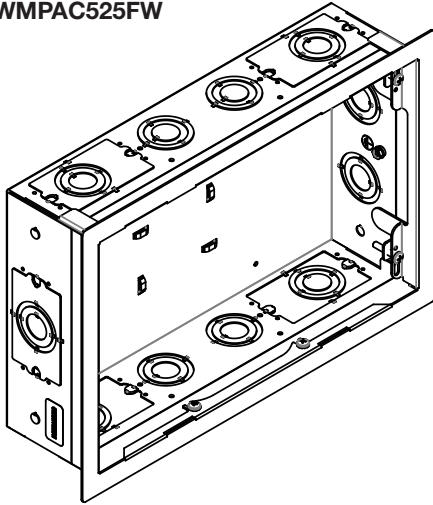


## WMPAC525 Series Wall Box Ordering Information

Catalog No./Item

Description / Specifications

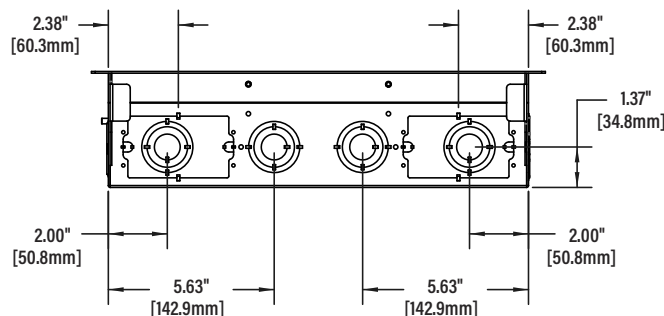
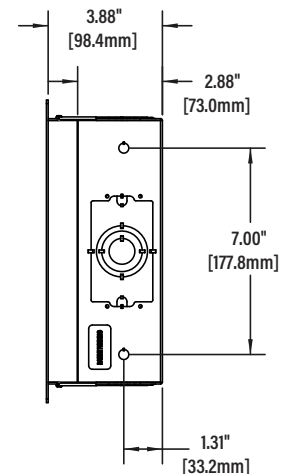
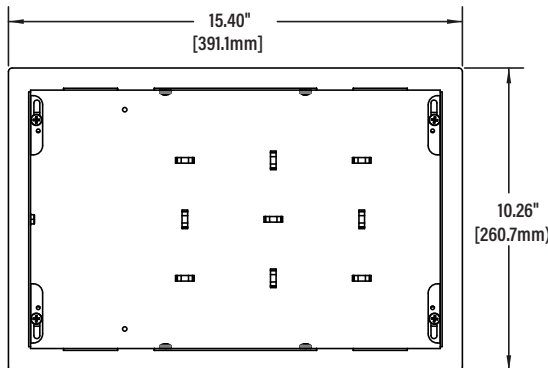
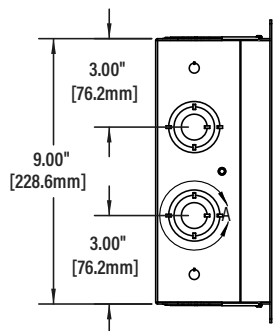
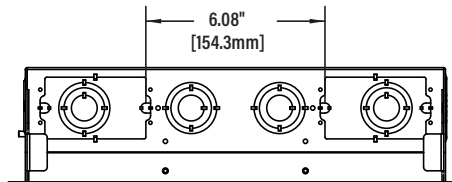
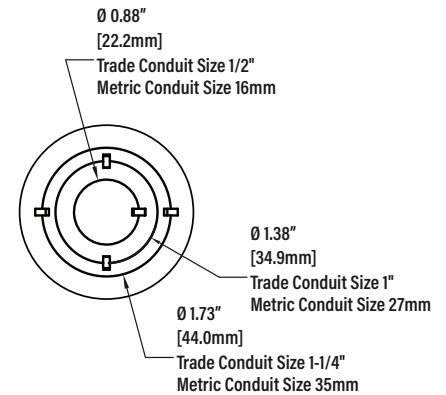
WMPAC525F  
WMPAC525FW



**In-Wall Box with Flange** – Designed to be mounted to a 2" x 4" [51mm x 102mm] wood stud wall 16" on center, a 2" x 4" -25ga (minimum) steel studs, or to a minimum ½" thickness drywall surface. The box has a total of five (5) 1-gang knockout locations for mounting AC outlets and eleven (11) trade size conduit knockouts for additional cabling needs. The breakaway edges allow the box's depth to be easily changed in the field for 3.5" or 2.5" stud bays. This configuration includes a paintable flange in either black or white (W).

Country of Origin: China

### WMPAC525F/FW Series Wall Box Dimensions: 9" x 14.25" x 3.9"



**WMPAC525 Series Wall Box Ordering Information**

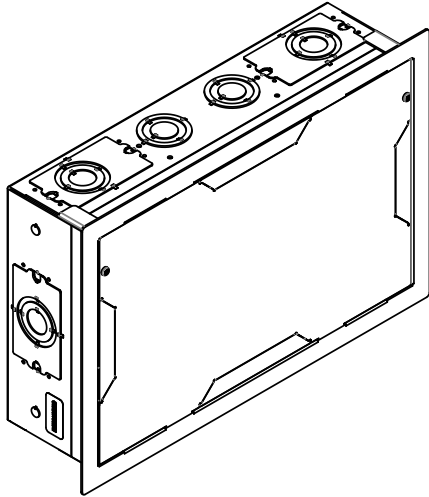
Catalog No./Item

Description / Specifications

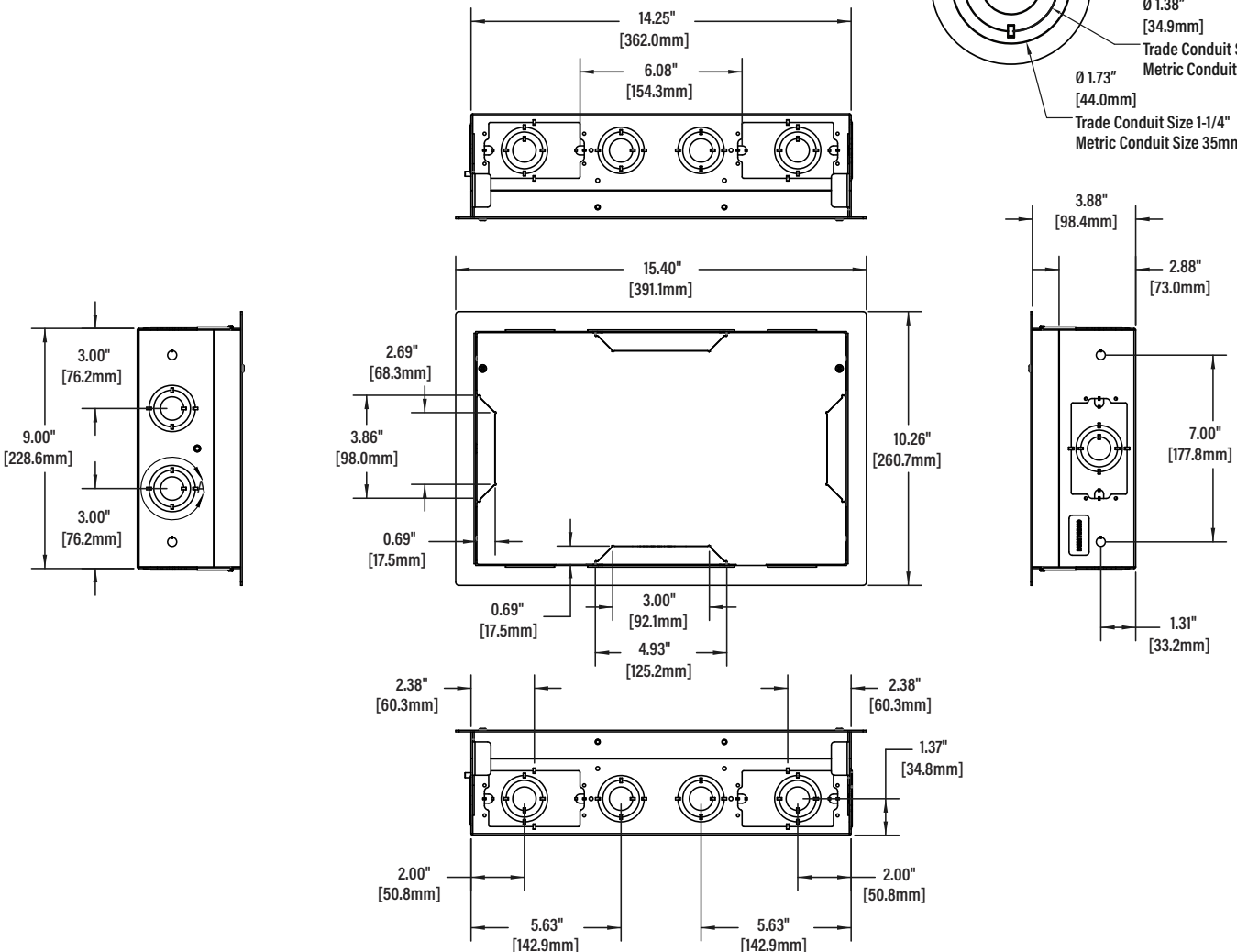
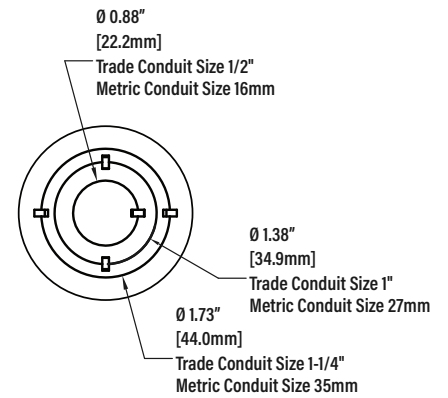
WMPAC525FC  
WMPAC525FCW

**In-Wall Box with Flange and Cover** – Designed to be mounted to a 2" x 4" [51mm x 102mm] wood stud wall 16" on center, a 2" x 4" -25ga (minimum) steel studs, or to a minimum 1/2" thickness drywall surface. The box has a total of five (5) 1-gang knockout locations for mounting AC outlets and eleven (11) trade size conduit knockouts for additional cabling needs. The breakaway edges allow the box's depth to be easily changed in the field for 3.5" or 2.5" stud bays. This configuration includes a paintable flange and cover in either black or white (W).

Country of Origin: China



**WMPAC525FC/FCW Series Wall Box Dimensions: 9" x 14.25" x 3.9"**

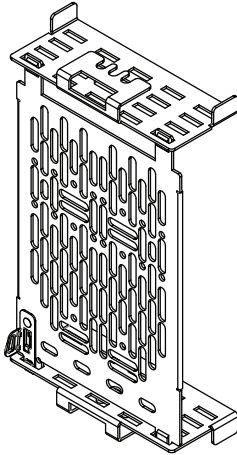


## WMPAC525 Series Wall Box Accessories Ordering Information

Catalog No./Item

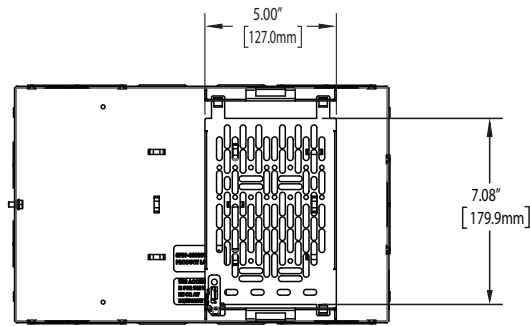
Description / Specifications

**WMPACL1**

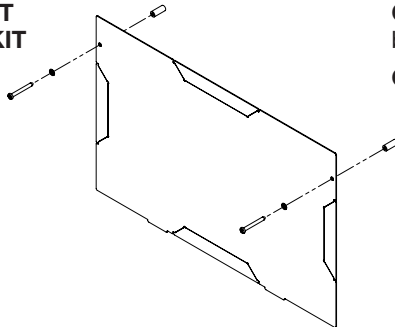


**Lever Lock™ Plate for WMPAC525** – Enables the attachment of small device equipment inside the WMPAC525 series wall box. Mounting brackets can be installed alongside the inside of the enclosure in two different adapter locations with the tool-less Lever Lock plate slotting into the brackets. There are four levels to the bracket, accommodating different height equipment and the ability to add layers within the box..

**Country of Origin: China**



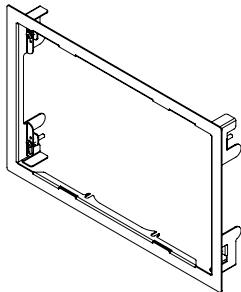
**WMPAC525CVR-KIT**  
**WMPAC525CVRWKIT**



**Cover Kit for WMPAC525** – This product is available in either black or white (W).

**Country of Origin: USA**

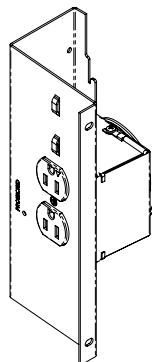
**WMPAC525F-KIT**  
**WMPAC525FW-KIT**



**Flange Kit for WMPAC525** – This product is available in either black or white (W).

**Country of Origin: USA**

**WMPAC525P2-KIT**



**2-Plug In-Wall Power Kit for WMPAC525**

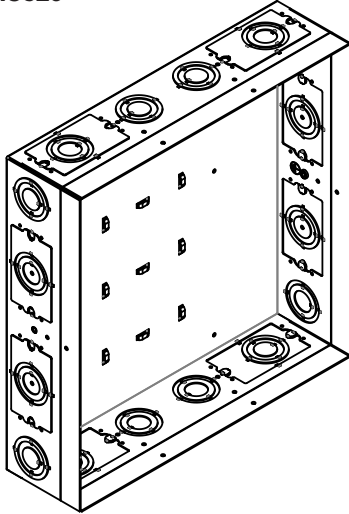
**Country of Origin: USA**

## WMPAC526 Series Wall Box Ordering Information

Catalog No./Item

Description / Specifications

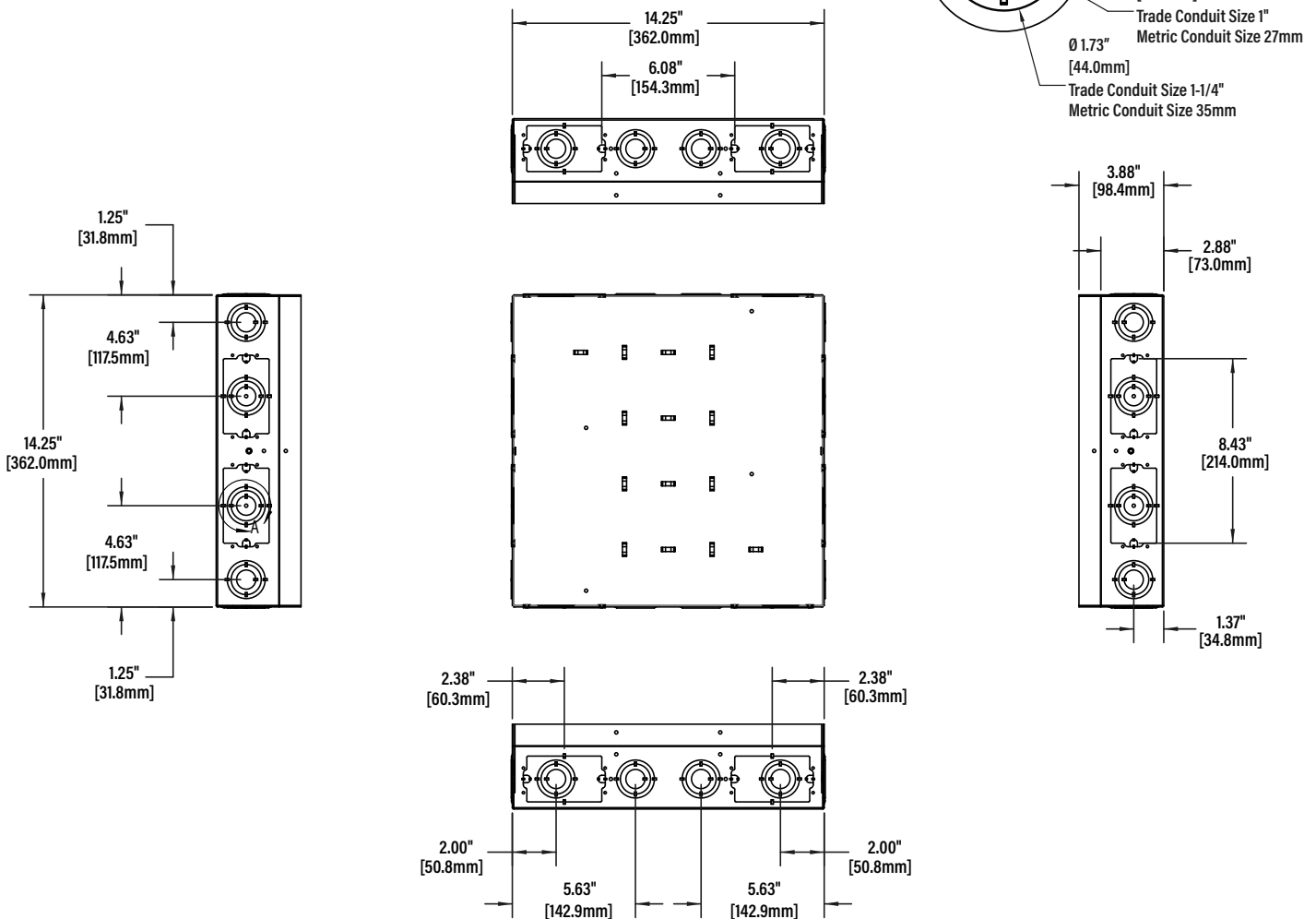
WMPAC526



**In-Wall Box** – Designed to be mounted to a 2" x 4" [51mm x 102mm] wood stud wall 16" on center or 2" x 4" -25ga (minimum) steel studs. The box has a total of eight (8) 1-gang knockout locations for mounting AC outlets and sixteen (16) trade size conduit knockouts for additional cabling needs. The breakaway edges allow the box's depth to be easily changed in the field for 3.5" or 2.5" stud bays.

Country of Origin: China

## WMPAC525 Series Wall Box Dimensions: 14.25" x 14.25" x 3.9"



## WMPAC526 Series Wall Box Ordering Information

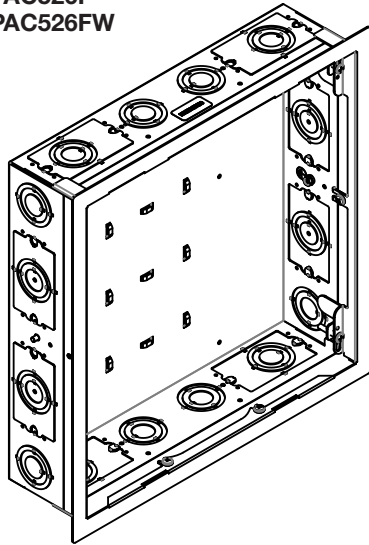
**Catalog No./Item**

WMPAC526F  
WMPAC526FW

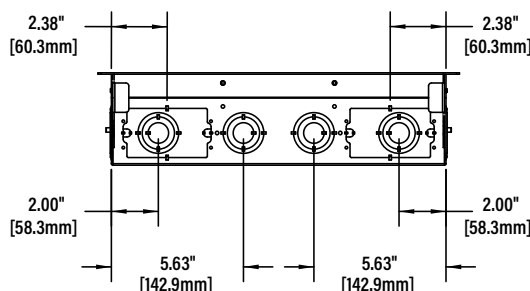
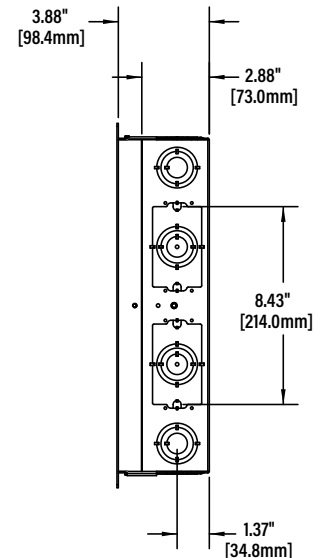
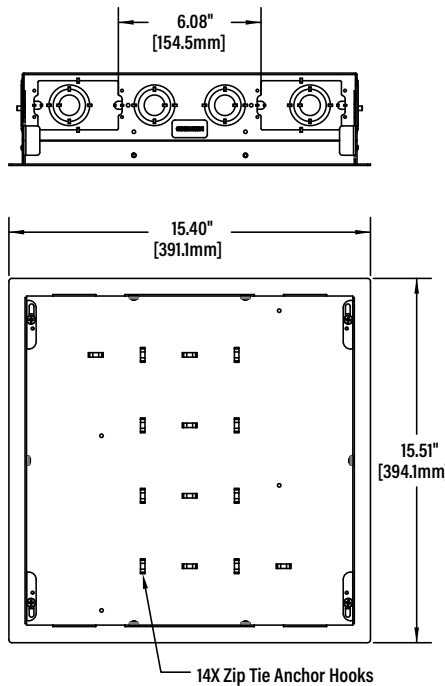
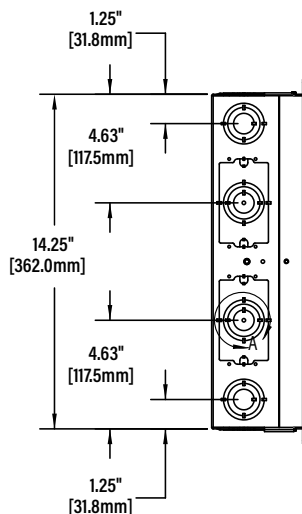
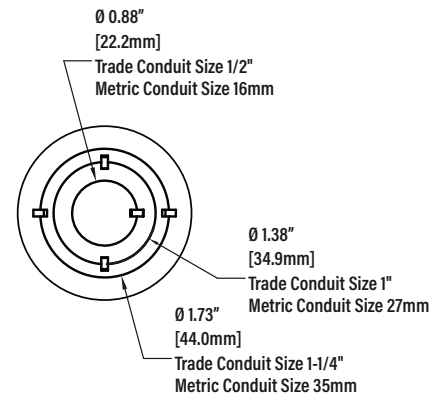
**Description / Specifications**

**In-Wall Box with Flange** – Designed to be mounted to a 2" x 4" [51mm x 102mm] wood stud wall 16" on center, a 2" x 4" -25ga (minimum) steel studs, or to a minimum ½" thickness drywall surface. The box has a total of eight (8) 1-gang knockout locations for mounting AC outlets and sixteen (16) trade size conduit knockouts for additional cabling needs. The breakaway edges allow the box's depth to be easily changed in the field for 3.5" or 2.5" stud bays. This configuration includes a paintable flange in either black or white (W).

**Country of Origin: China**



**WMPAC526F/FW Series Wall Box Dimensions: 14.25" x 14.25" x 3.9"**

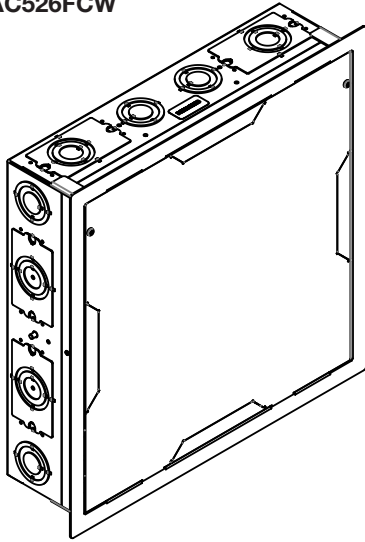


**WMPAC526 Series Wall Box Ordering Information**

Catalog No./Item

Description / Specifications

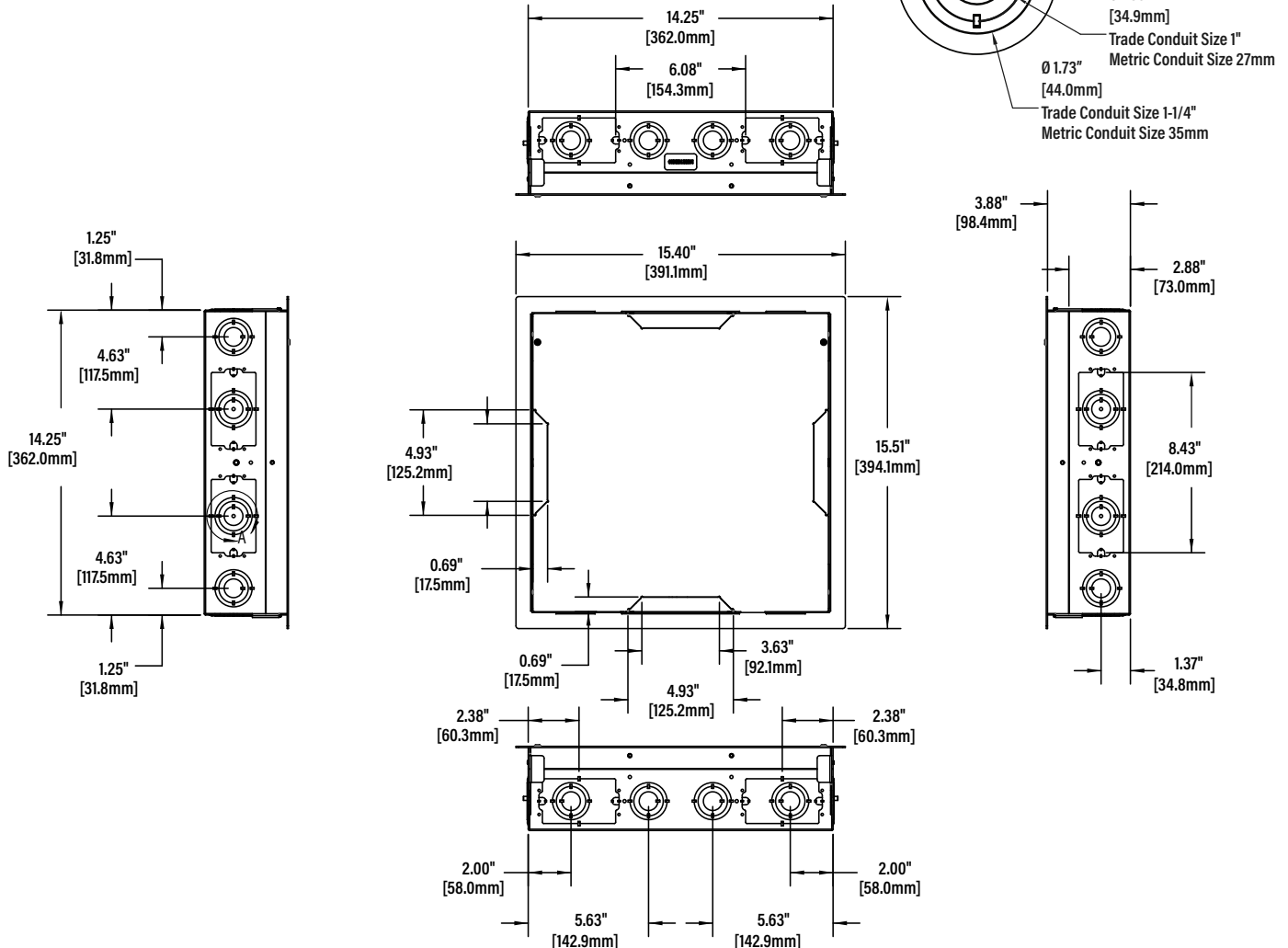
WMPAC526FC  
WMPAC526FCW



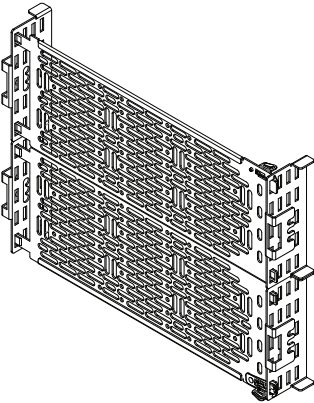
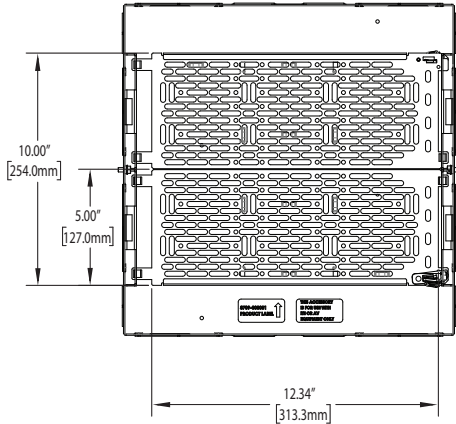
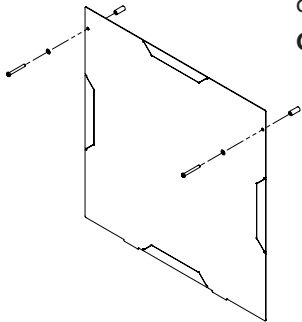
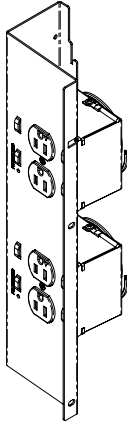
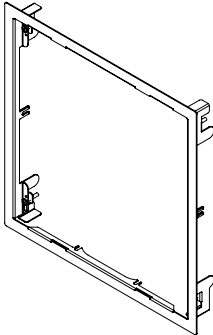
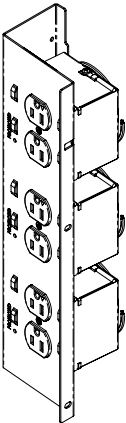
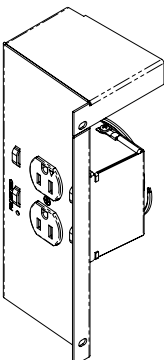
**In-Wall Box with Flange and Cover** – Designed to be mounted to a 2" x 4" [51mm x 102mm] wood stud wall 16" on center, a 2" x 4" -25ga (minimum) steel studs, or to a minimum 1/2" thickness drywall surface. The box has a total of eight (8) 1-gang knockout locations for mounting AC outlets and sixteen (16) trade size conduit knockouts for additional cabling needs. The breakaway edges allow the box's depth to be easily changed in the field for 3.5" or 2.5" stud bays. This configuration includes a paintable flange and cover in either black or white (W).

Country of Origin: China

**WMPAC526FC/FCW Series Wall Box Dimensions:**  
14.25" x 14.25" x 3.9"



## WMPAC526 Series Wall Box Accessories Ordering Information

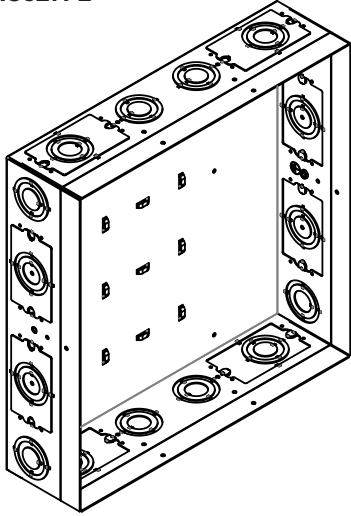
Catalog No./Item	Description / Specifications		
<p><b>WMPACL2</b></p> 		<p><b>Lever Lock™ Plate for WMPAC526 –</b> Enables the attachment of small device equipment inside the WMPAC526 series wall box. Mounting brackets can be installed alongside the inside of the enclosure with the tool-less Lever Lock plate slotting into the brackets. There are four levels to the bracket, accommodating different height equipment and the ability to add layers within the box.</p> <p><b>Country of Origin: China</b></p>	
<p><b>WMPAC526CVR-KIT</b> <b>WMPAC526CVRWKIT</b></p> 	<p><b>Cover Kit for WMPAC526 –</b> This product is available in either black or white (W).</p> <p><b>Country of Origin: USA</b></p>	<p><b>WMPAC526P4-KIT</b></p> 	<p><b>4-Plug In-Wall Power Kit for WMPAC526</b></p> <p><b>Country of Origin: USA</b></p>
<p><b>WMPAC526F-KIT</b> <b>WMPAC526FW-KIT</b></p> 	<p><b>Flange Kit for WMPAC526 –</b> This product is available in either black or white (W).</p> <p><b>Country of Origin: USA</b></p>	<p><b>WMPAC526P6-KIT</b></p> 	<p><b>6-Plug In-Wall Power Kit for WMPAC526</b></p> <p><b>Country of Origin: USA</b></p>
<p><b>WMPAC526P2-KIT</b></p> 	<p><b>2-Plug In-Wall Power Kit for WMPAC526</b></p> <p><b>Country of Origin: USA</b></p>		

## WMPAC527FL Series Large In-Wall Box Ordering Information

Catalog No./Item

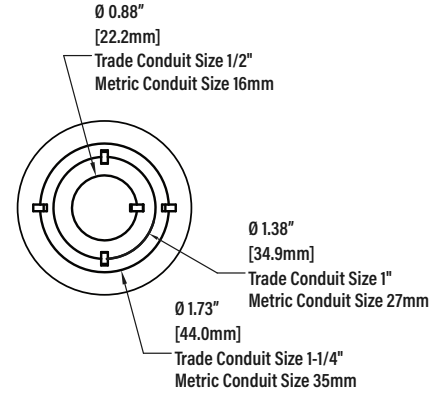
Description / Specifications

WMPAC527FL

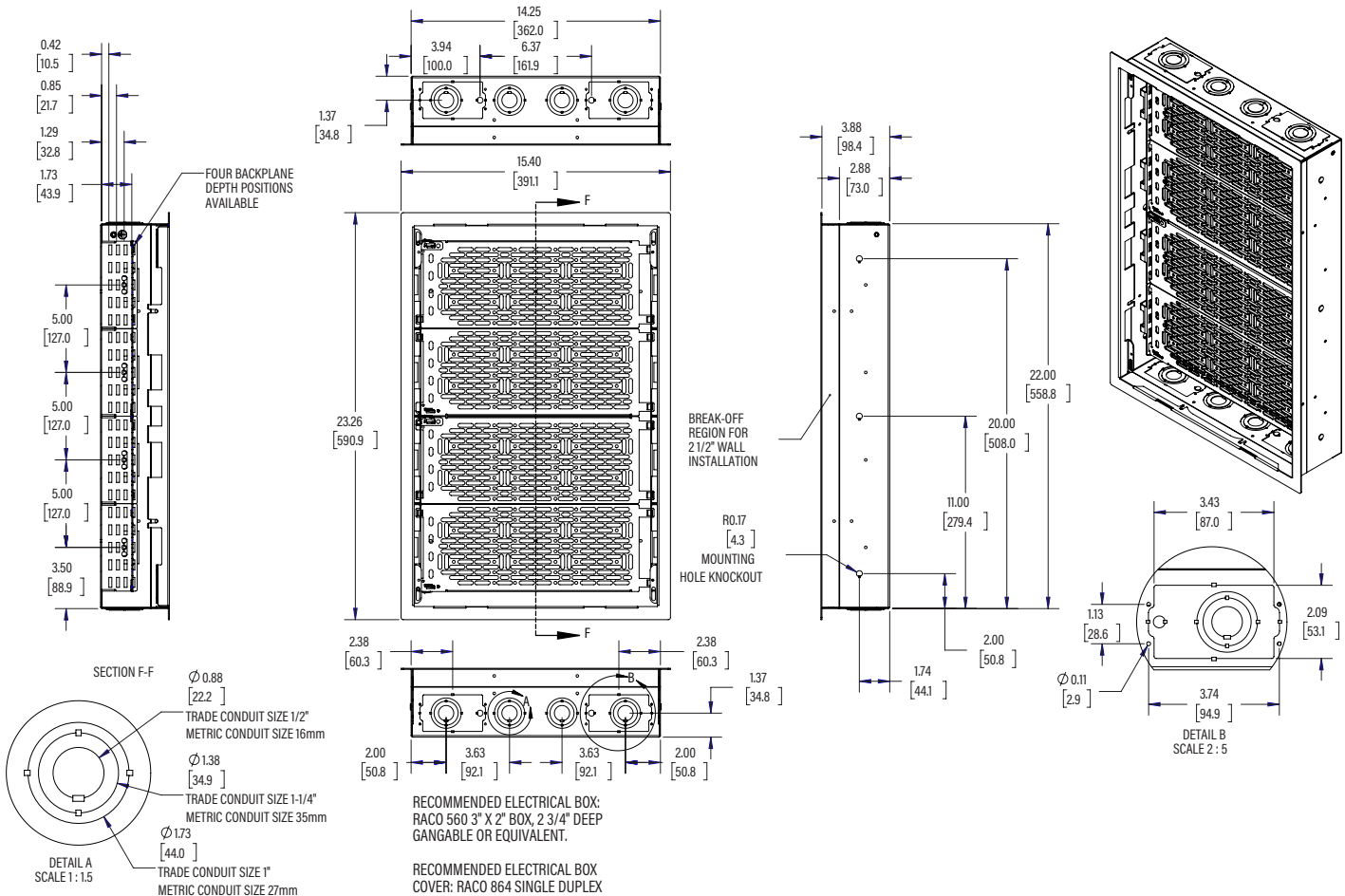


**Large In-Wall Box** – Designed to be mounted to a 2" x 4" [51mm x 102mm] wood stud wall 16" on center, a 2" x 4" -25ga (minimum) steel studs, or to a minimum 1/2" thickness drywall surface. The box has a total of four (4) 1-gang knockout locations for mounting AC outlets and eight (8) trade size conduit knockouts for additional cabling needs. The breakaway edges allow the box's depth to be easily changed in the field for 3.5" or 2.5" stud bays.

**Country of Origin: China**



## WMPAC527FL Series Large In-Wall Box Dimensions: 14.25" x 22" LL

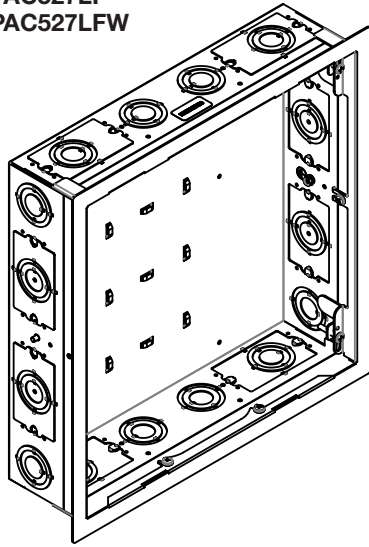


## WMPAC527LF Series Large In-Wall Box Ordering Information

Catalog No./Item

Description / Specifications

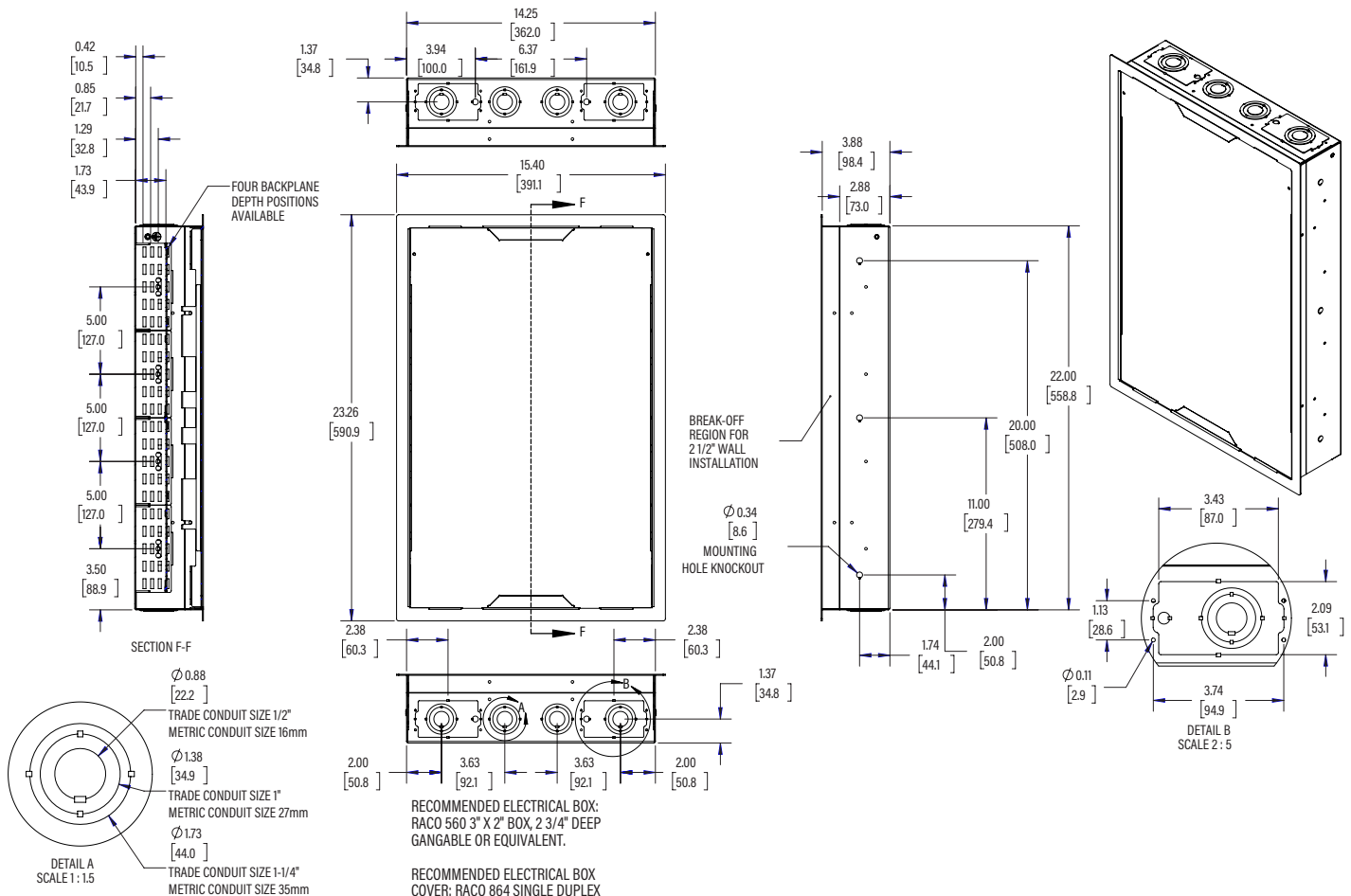
WMPAC527LF  
WMPAC527LFW



**Large In-Wall Box with Flange** – Designed to be mounted to a 2" x 4" [51mm x 102mm] wood stud wall 16" on center, a 2" x 4" -25ga (minimum) steel studs, or to a minimum 1/2" thickness drywall surface. The box has a total of four (4) 1-gang knockout locations for mounting AC outlets and eight (8) trade size conduit knockouts for additional cabling needs. The breakaway edges allow the box's depth to be easily changed in the field for 3.5" or 2.5" stud bays. This configuration includes a paintable flange in either black or white (W).

**Country of Origin: China**

## WMPAC527LF/LFW Series Large In-Wall Box Dimensions: 14.25" x 22"

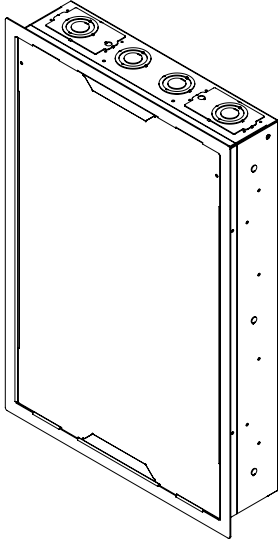


## WMPAC527LFC Series Large In-Wall Box Ordering Information

Catalog No./Item

Description / Specifications

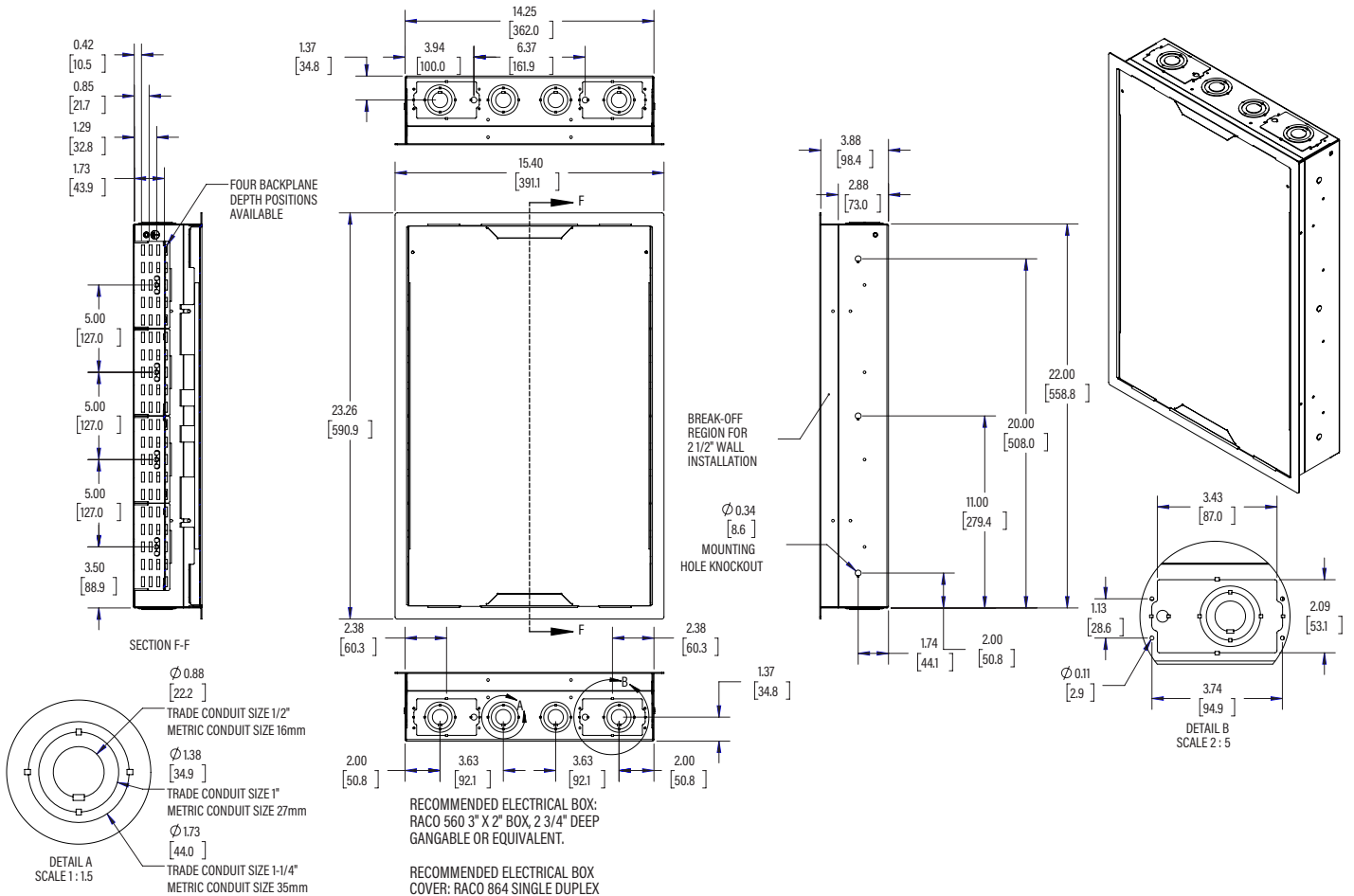
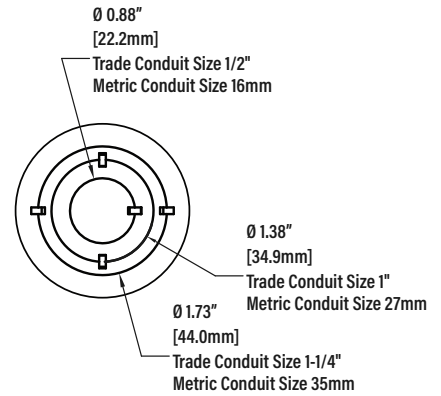
**WMPAC527LFC**  
**WMPAC527LFCW**



**Large In-Wall Box with Flange and Cover** – Designed to be mounted to a 2" x 4" [51mm x 102mm] wood stud wall 16" on center, a 2" x 4" -25ga (minimum) steel studs, or to a minimum 1/2" thickness drywall surface. The box has a total of eight (8) 1-gang knockout locations for mounting AC outlets and sixteen (16) trade size conduit knockouts for additional cabling needs. The breakaway edges allow the box's depth to be easily changed in the field for 3.5" or 2.5" stud bays. This configuration includes a paintable flange and cover in either black or white (W).

Country of Origin: China

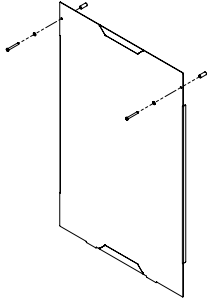
## WMPAC527FC/FCW Series Large In-Wall Box Dimensions: 14.25" x 22"



**WMPAC527 Series Wall Box Accessories Ordering Information**

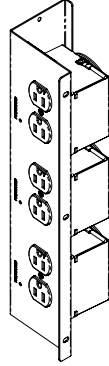
Catalog No./Item	Description / Specifications
------------------	------------------------------

**WMPAC527CVR-KIT**  
**WMPAC527CVRWKIT**



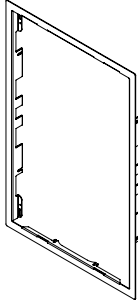
**Cover Kit for WMPAC527** – This product is available in either black or white (W).  
**Country of Origin: USA**

**WMPAC527P6-KIT**



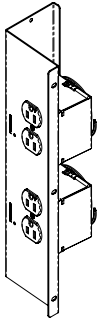
**6-Plug In-Wall Power Kit for WMPAC527**  
**Country of Origin: USA**

**WMPAC527F-KIT**  
**WMPAC527FW-KIT**



**Flange Kit for WMPAC527** – This product is available in either black or white (W).  
**Country of Origin: USA**

**WMPAC527P4-KIT**



**4-Plug In-Wall Power Kit for WMPAC527**  
**Country of Origin: USA**





WMPAC525FCW cutaway with white flange and cover.

## Simplified Box Design for In-Wall Power and Data Applications

WMPAC525, WMPAC526, WMPAC527

The WMPAC Series Wall Boxes offer access to A/V, Power and Data applications in a simplified design for use behind flat-screen TVs. With knockouts for single-gang outlets and conduit, this box is ideal for retrofit or new build applications to provide an organized, recessed space for routing excess cables and for attaching surge protectors/power conditioners. The wall boxes work with a variety of Chief wall mounts, giving a clean installation and superior user experience.

## Features & Benefits

- **Multiple Depth Compatibility:** Easily change box depth for 3.5" or 2.5" stud bays (89 or 64 mm) with breakaway edges.
- **Flexible Mounting:** Stud mountable and can be mounted to drywall with the flange configurations.
- **Easy Knockouts:** Knockouts around box for single-gang outlets and 1-1/4", 1" & 1/2" conduit to meet specific needs on site. Cover knockouts for cable routing, ventilation and tamper proof security.
- **Simple Design:** Black or white flanges and covers, paintable to blend with any environment.
- **Equipment Mounting:** Enclosure UL 2416 listed for installation of AV, IT & Communication Technology Equipment, so it is rated to store a variety of AV components.
- **Integrated Cable Management:** Box features integrated universal zip tie anchor points for cable management.
- **Compatible with Chief wall mounts:** Works seamlessly with the PST, PRO, MSR, MTR, MWH, MWR, PWRm PNR, PDR, Thinstall and FUSION wall mounts.
- **Lever Lock™ Mounting System:** Optional mounting brackets and Lever Lock plate enables mounting of small AV equipment within the box.



Easy Knockouts



Zip Tie Anchor Points



Break Away Edges



Drywall or Stud Mountable

## Vertical Markets

- Commercial
- Education
- Healthcare
- Hospitality
- Entertainment
- Retail

## Compliance

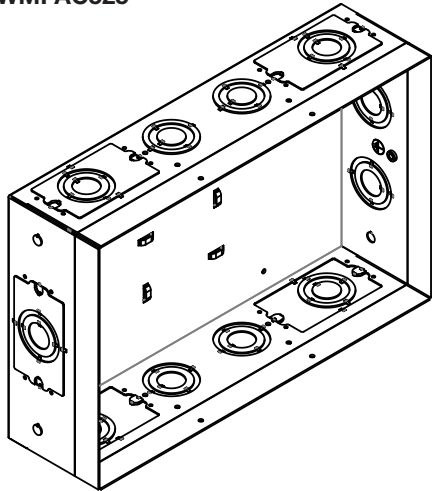
 cULus Listed, Audio/Video, Information and Communication Technology Equipment Cabinet, Enclosure and Rack Systems, File Number E309432, Guide NWIN

## WMPAC525 Series Wall Box Ordering Information

Catalog No./Item

Description / Specifications

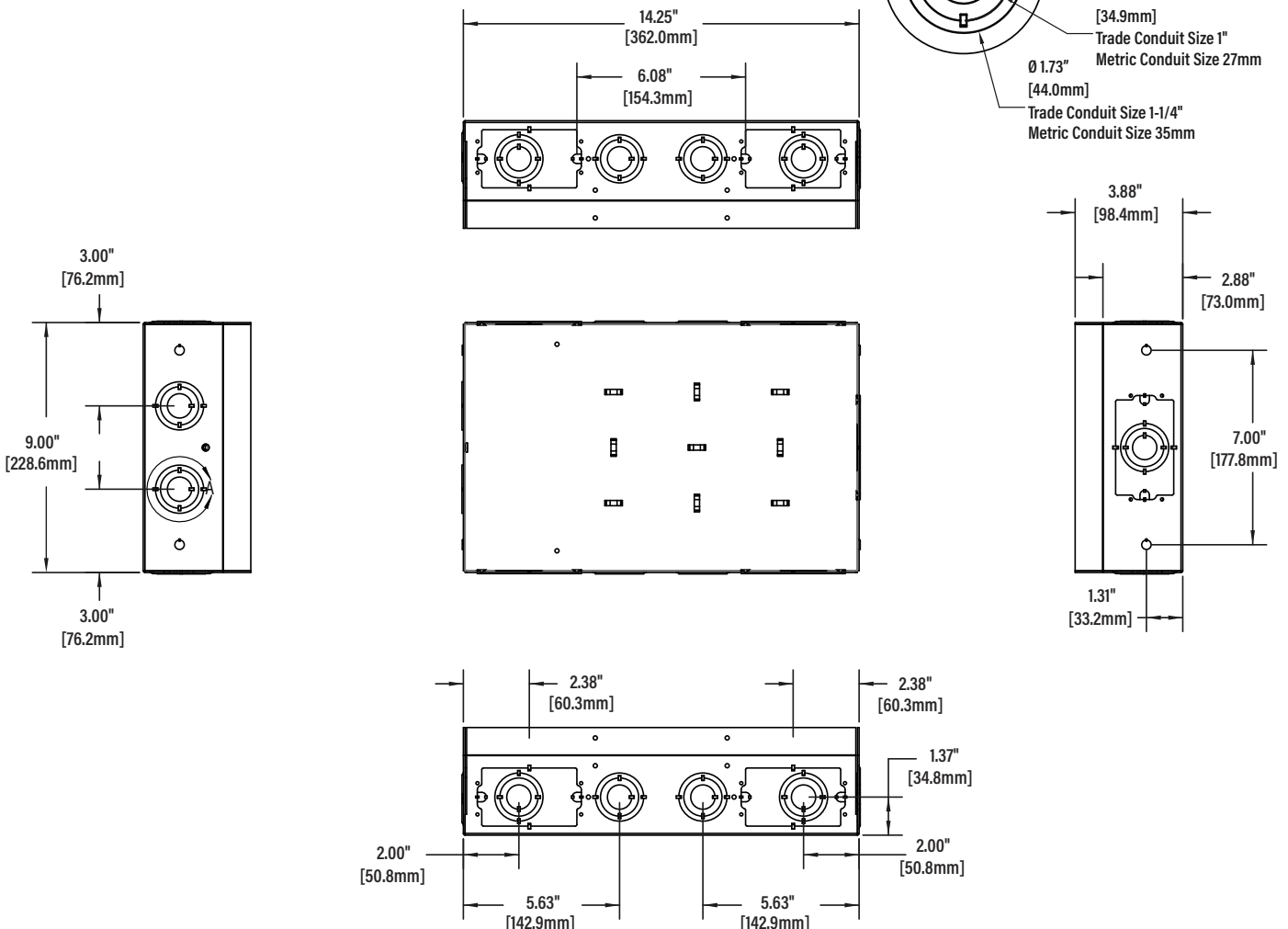
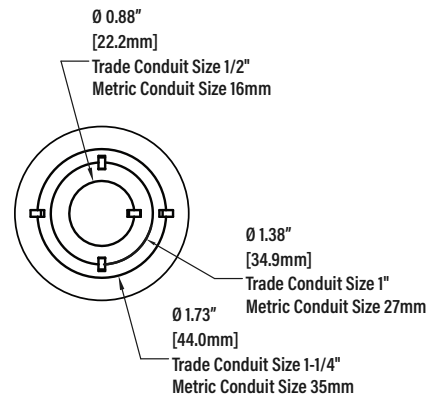
WMPAC525



**In-Wall Box** – Designed to be mounted to a 2" x 4" [51mm x 102mm] wood stud wall 16" on center or 2" x 4" -25ga (minimum) steel studs. The box has a total of five (5) 1-gang knockout locations for mounting AC outlets and eleven (11) trade size conduit knockouts for additional cabling needs. The breakaway edges allow the box's depth to be easily changed in the field for 3.5" or 2.5" stud bays.

**Country of Origin: China**

### WMPAC525 Series Wall Box Dimensions: 9" x 14.25" x 3.9"



## WMPAC525 Series Wall Box Ordering Information

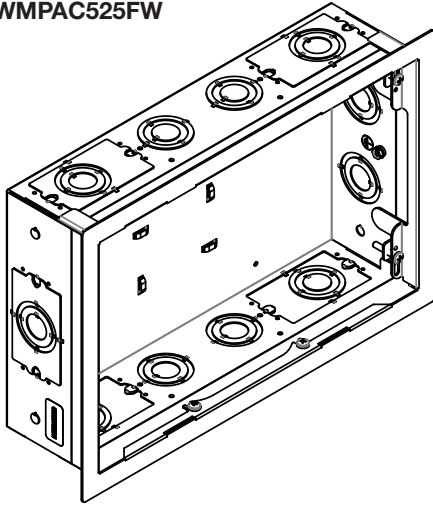
**Catalog No./Item**

WMPAC525F  
WMPAC525FW

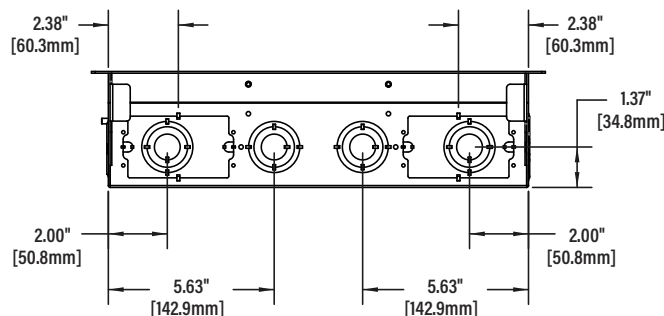
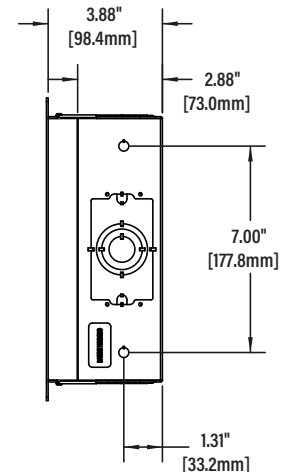
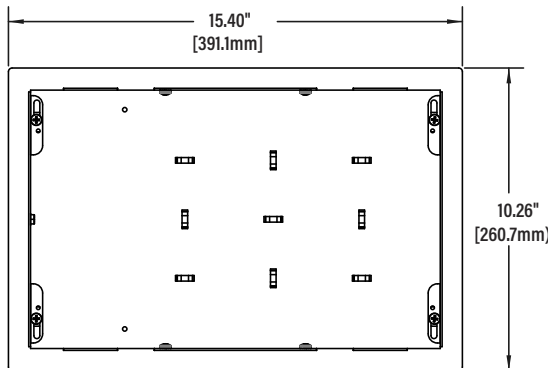
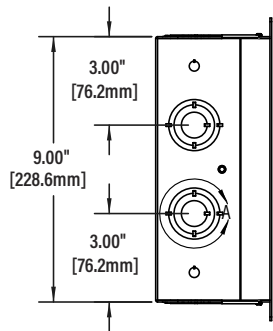
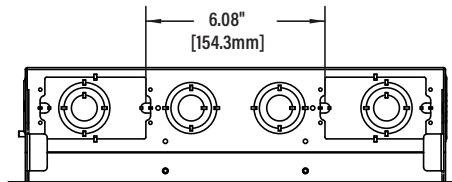
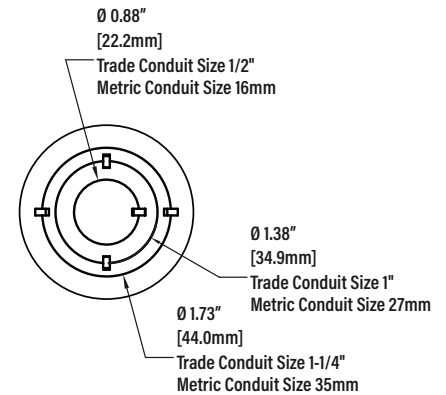
**Description / Specifications**

**In-Wall Box with Flange** – Designed to be mounted to a 2" x 4" [51mm x 102mm] wood stud wall 16" on center, a 2" x 4" -25ga (minimum) steel studs, or to a minimum ½" thickness drywall surface. The box has a total of five (5) 1-gang knockout locations for mounting AC outlets and eleven (11) trade size conduit knockouts for additional cabling needs. The breakaway edges allow the box's depth to be easily changed in the field for 3.5" or 2.5" stud bays. This configuration includes a paintable flange in either black or white (W).

**Country of Origin: China**



### WMPAC525F/FW Series Wall Box Dimensions: 9" x 14.25" x 3.9"



**WMPAC525 Series Wall Box Ordering Information**

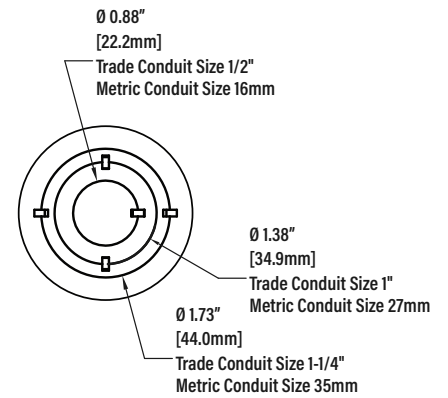
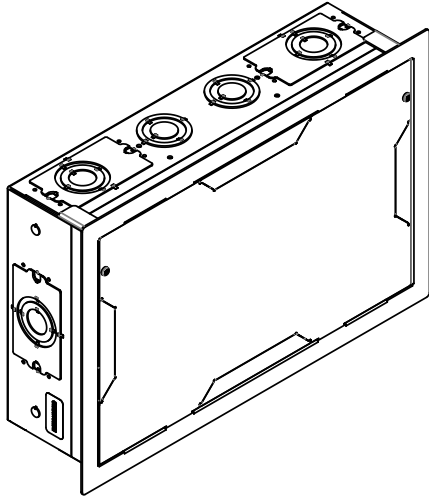
Catalog No./Item

Description / Specifications

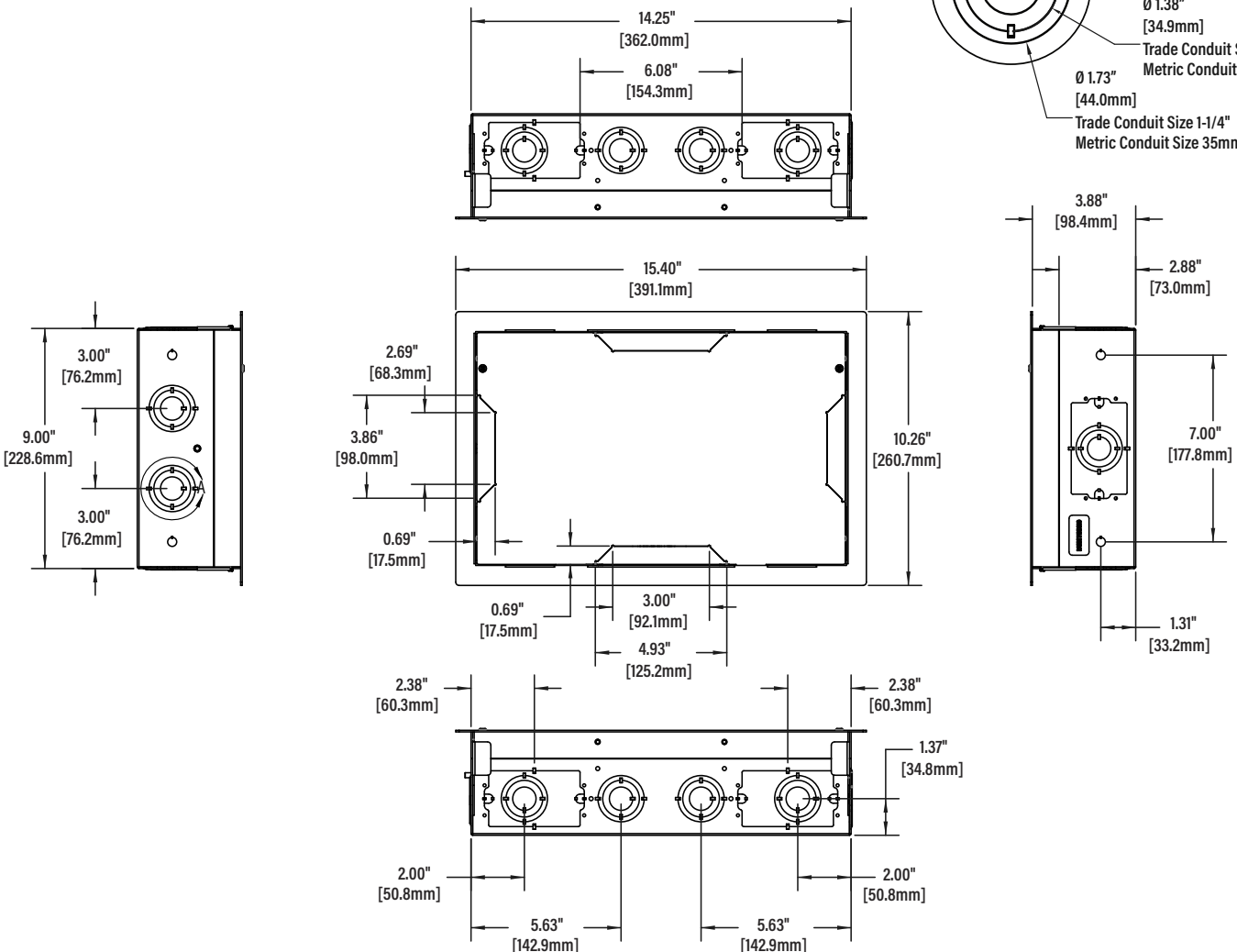
WMPAC525FC  
WMPAC525FCW

**In-Wall Box with Flange and Cover** – Designed to be mounted to a 2" x 4" [51mm x 102mm] wood stud wall 16" on center, a 2" x 4" -25ga (minimum) steel studs, or to a minimum 1/2" thickness drywall surface. The box has a total of five (5) 1-gang knockout locations for mounting AC outlets and eleven (11) trade size conduit knockouts for additional cabling needs. The breakaway edges allow the box's depth to be easily changed in the field for 3.5" or 2.5" stud bays. This configuration includes a paintable flange and cover in either black or white (W).

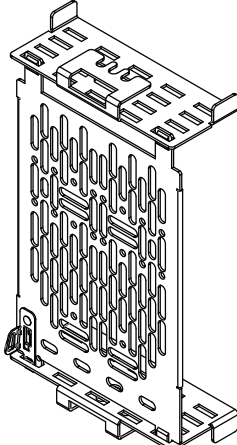
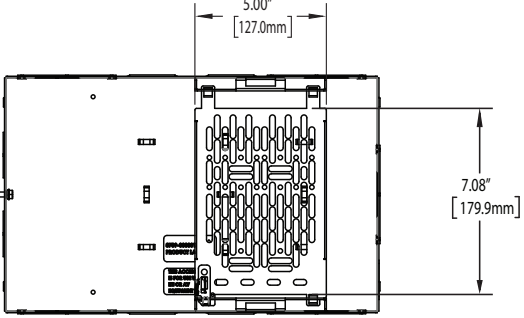
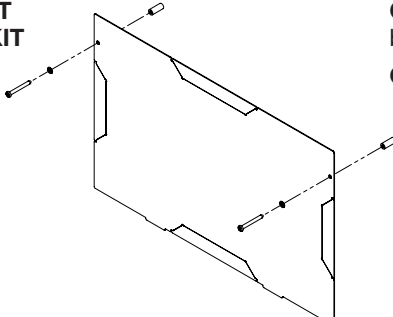
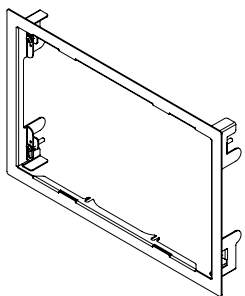
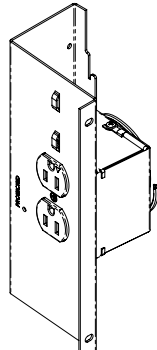
Country of Origin: China



**WMPAC525FC/FCW Series Wall Box Dimensions: 9" x 14.25" x 3.9"**



## WMPAC525 Series Wall Box Accessories Ordering Information

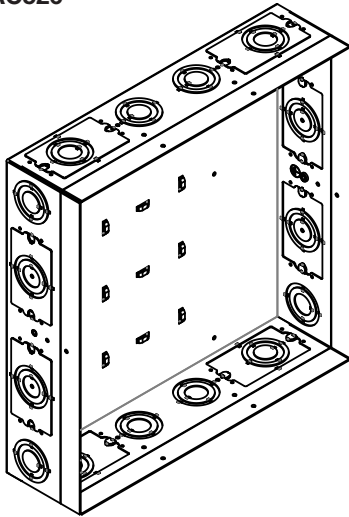
Catalog No./Item	Description / Specifications
<p><b>WMPACL1</b></p> 	<p><b>Lever Lock™ Plate for WMPAC525</b> – Enables the attachment of small device equipment inside the WMPAC525 series wall box. Mounting brackets can be installed alongside the inside of the enclosure in two different adapter locations with the tool-less Lever Lock plate slotting into the brackets. There are four levels to the bracket, accommodating different height equipment and the ability to add layers within the box..</p> <p><b>Country of Origin: China</b></p> 
<p><b>WMPAC525CVR-KIT</b> <b>WMPAC525CVRWKIT</b></p> 	<p><b>Cover Kit for WMPAC525</b> – This product is available in either black or white (W).</p> <p><b>Country of Origin: USA</b></p>
<p><b>WMPAC525F-KIT</b> <b>WMPAC525FW-KIT</b></p> 	<p><b>Flange Kit for WMPAC525</b> – This product is available in either black or white (W).</p> <p><b>Country of Origin: USA</b></p>
<p><b>WMPAC525P2-KIT</b></p> 	<p><b>2-Plug In-Wall Power Kit for WMPAC525</b></p> <p><b>Country of Origin: USA</b></p>

**WMPAC526 Series Wall Box Ordering Information**

Catalog No./Item

Description / Specifications

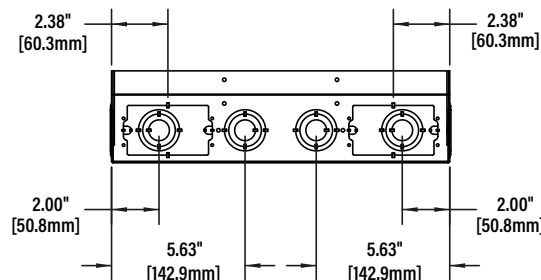
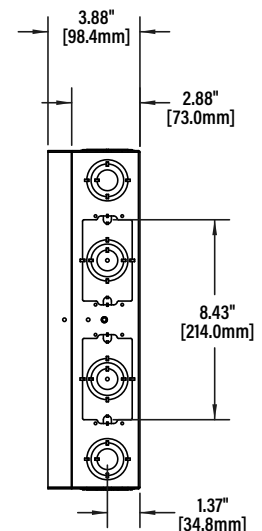
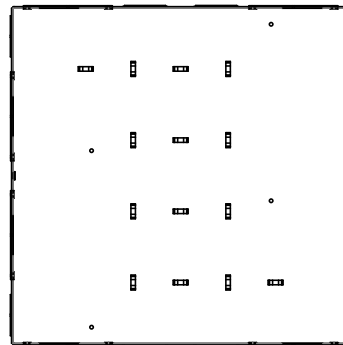
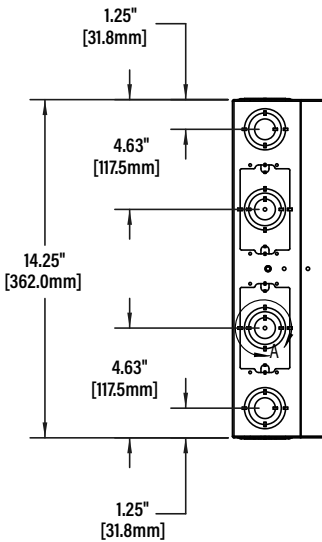
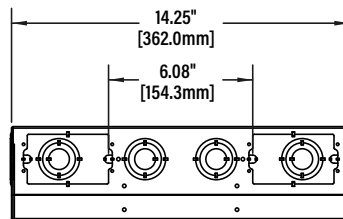
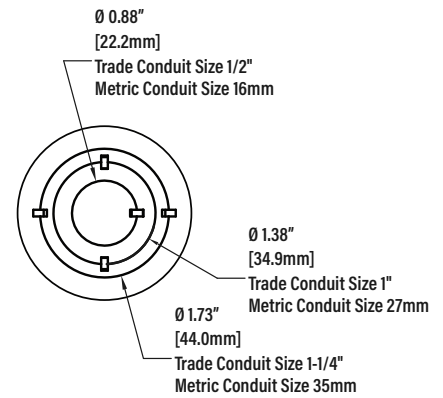
WMPAC526



**In-Wall Box** – Designed to be mounted to a 2" x 4" [51mm x 102mm] wood stud wall 16" on center or 2" x 4" -25ga (minimum) steel studs. The box has a total of eight (8) 1-gang knockout locations for mounting AC outlets and sixteen (16) trade size conduit knockouts for additional cabling needs. The breakaway edges allow the box's depth to be easily changed in the field for 3.5" or 2.5" stud bays.

Country of Origin: China

**WMPAC525 Series Wall Box Dimensions: 14.25" x 14.25" x 3.9"**



## WMPAC526 Series Wall Box Ordering Information

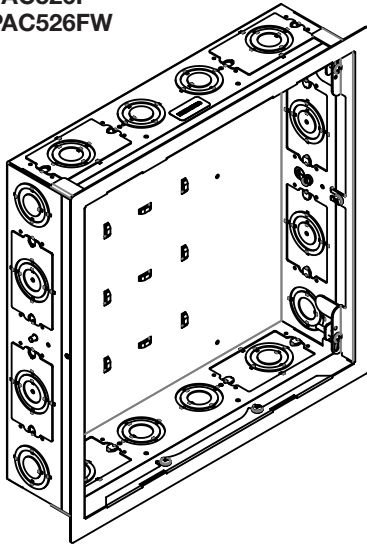
**Catalog No./Item**

WMPAC526F  
WMPAC526FW

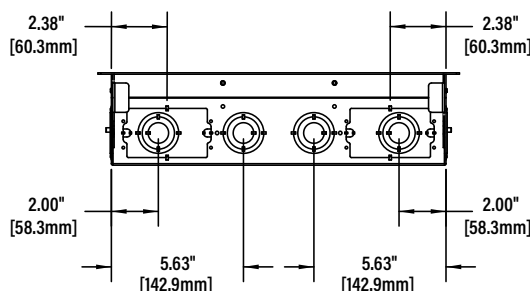
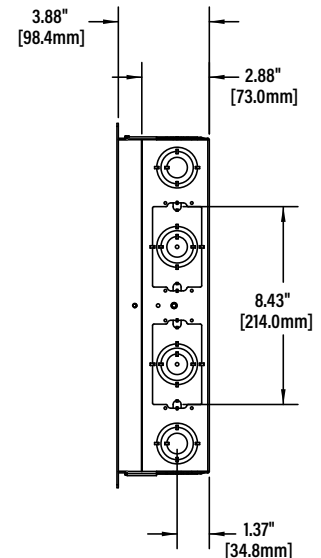
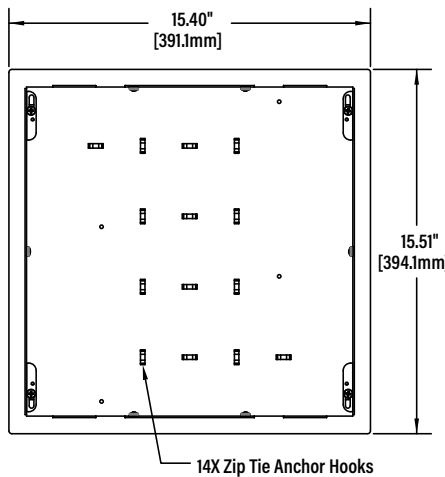
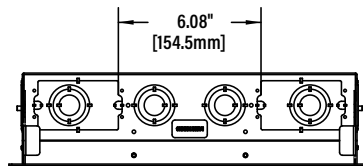
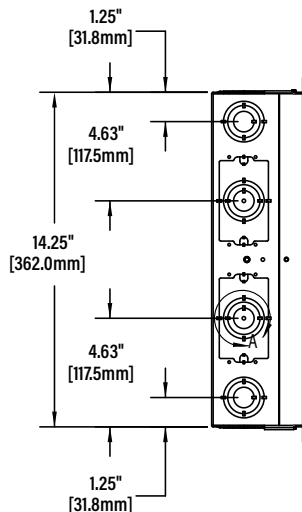
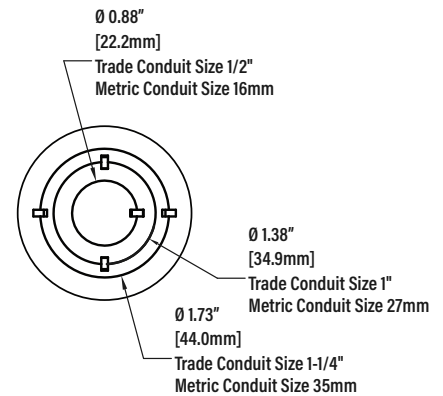
**Description / Specifications**

**In-Wall Box with Flange** – Designed to be mounted to a 2" x 4" [51mm x 102mm] wood stud wall 16" on center, a 2" x 4" -25ga (minimum) steel studs, or to a minimum ½" thickness drywall surface. The box has a total of eight (8) 1-gang knockout locations for mounting AC outlets and sixteen (16) trade size conduit knockouts for additional cabling needs. The breakaway edges allow the box's depth to be easily changed in the field for 3.5" or 2.5" stud bays. This configuration includes a paintable flange in either black or white (W).

**Country of Origin: China**



**WMPAC526F/FW Series Wall Box Dimensions: 14.25" x 14.25" x 3.9"**

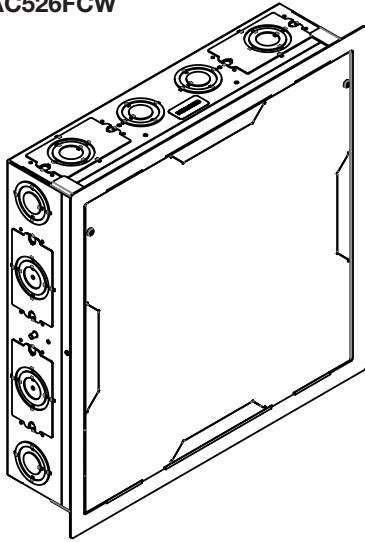


## WMPAC526 Series Wall Box Ordering Information

Catalog No./Item

Description / Specifications

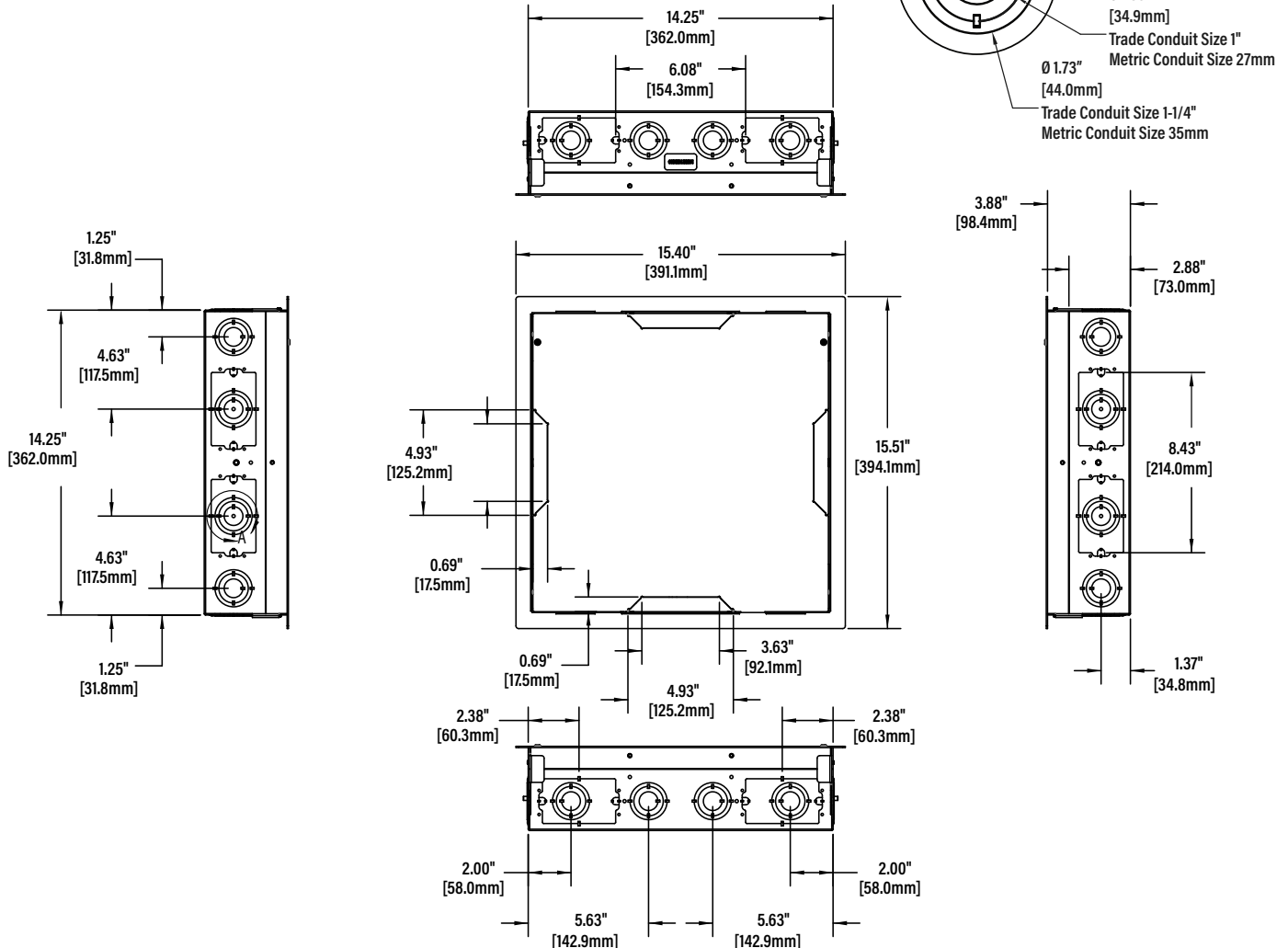
WMPAC526FC  
WMPAC526FCW



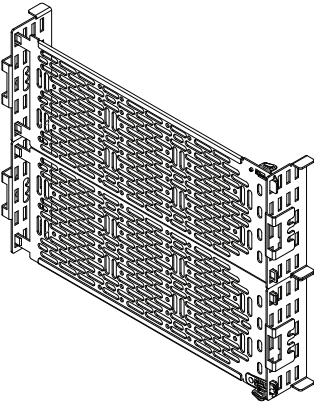
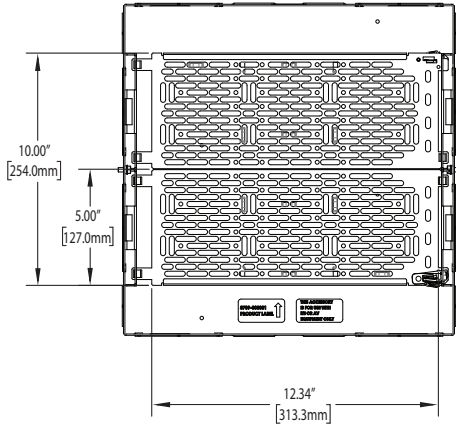
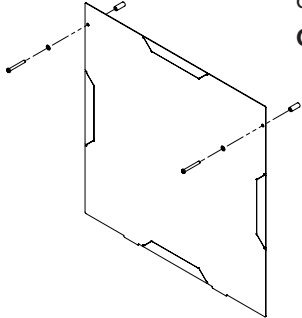
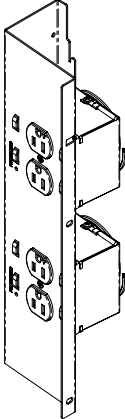
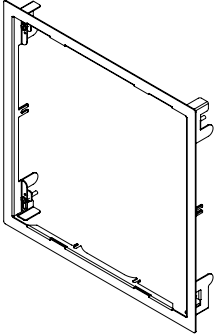
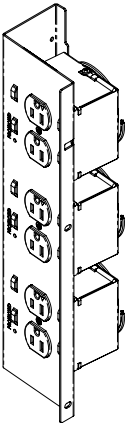
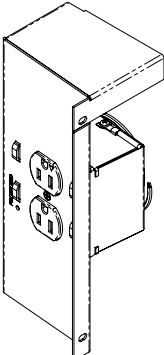
**In-Wall Box with Flange and Cover** – Designed to be mounted to a 2" x 4" [51mm x 102mm] wood stud wall 16" on center, a 2" x 4" -25ga (minimum) steel studs, or to a minimum 1/2" thickness drywall surface. The box has a total of eight (8) 1-gang knockout locations for mounting AC outlets and sixteen (16) trade size conduit knockouts for additional cabling needs. The breakaway edges allow the box's depth to be easily changed in the field for 3.5" or 2.5" stud bays. This configuration includes a paintable flange and cover in either black or white (W).

Country of Origin: China

### WMPAC526FC/FCW Series Wall Box Dimensions: 14.25" x 14.25" x 3.9"



## WMPAC526 Series Wall Box Accessories Ordering Information

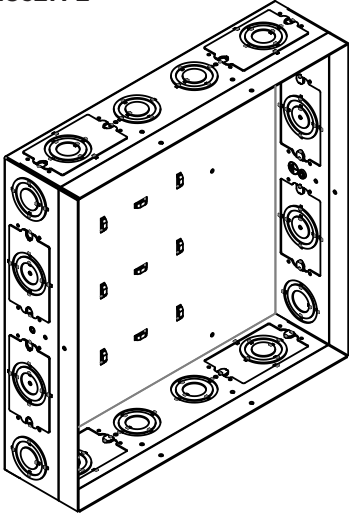
Catalog No./Item	Description / Specifications		
<p><b>WMPACL2</b></p> 		<p><b>Lever Lock™ Plate for WMPAC526 –</b> Enables the attachment of small device equipment inside the WMPAC526 series wall box. Mounting brackets can be installed alongside the inside of the enclosure with the tool-less Lever Lock plate slotting into the brackets. There are four levels to the bracket, accommodating different height equipment and the ability to add layers within the box.</p> <p><b>Country of Origin: China</b></p>	
<p><b>WMPAC526CVR-KIT</b> <b>WMPAC526CVRWKIT</b></p> 	<p><b>Cover Kit for WMPAC526 –</b> This product is available in either black or white (W).</p> <p><b>Country of Origin: USA</b></p>	<p><b>WMPAC526P4-KIT</b></p> 	<p><b>4-Plug In-Wall Power Kit for WMPAC526</b></p> <p><b>Country of Origin: USA</b></p>
<p><b>WMPAC526F-KIT</b> <b>WMPAC526FW-KIT</b></p> 	<p><b>Flange Kit for WMPAC526 –</b> This product is available in either black or white (W).</p> <p><b>Country of Origin: USA</b></p>	<p><b>WMPAC526P6-KIT</b></p> 	<p><b>6-Plug In-Wall Power Kit for WMPAC526</b></p> <p><b>Country of Origin: USA</b></p>
<p><b>WMPAC526P2-KIT</b></p> 	<p><b>2-Plug In-Wall Power Kit for WMPAC526</b></p> <p><b>Country of Origin: USA</b></p>		

**WMPAC527FL Series Large In-Wall Box Ordering Information**

Catalog No./Item

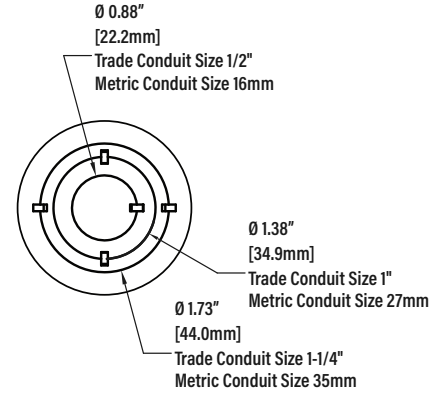
Description / Specifications

WMPAC527FL

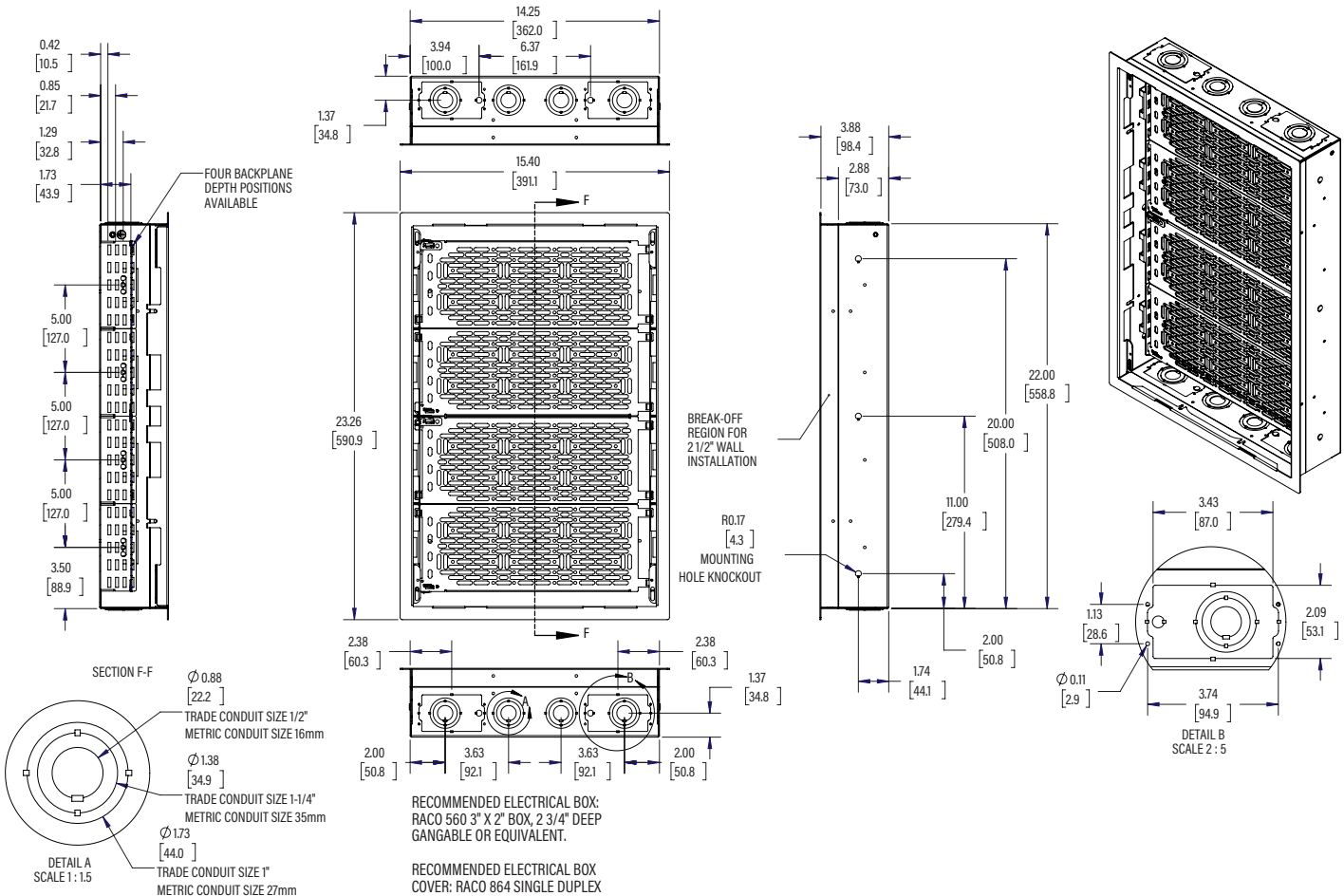


**Large In-Wall Box** – Designed to be mounted to a 2" x 4" [51mm x 102mm] wood stud wall 16" on center, a 2" x 4" -25ga (minimum) steel studs, or to a minimum 1/2" thickness drywall surface. The box has a total of four (4) 1-gang knockout locations for mounting AC outlets and eight (8) trade size conduit knockouts for additional cabling needs. The breakaway edges allow the box's depth to be easily changed in the field for 3.5" or 2.5" stud bays.

**Country of Origin: China**



**WMPAC527FL Series Large In-Wall Box Dimensions:  
14.25" x 22" LL**

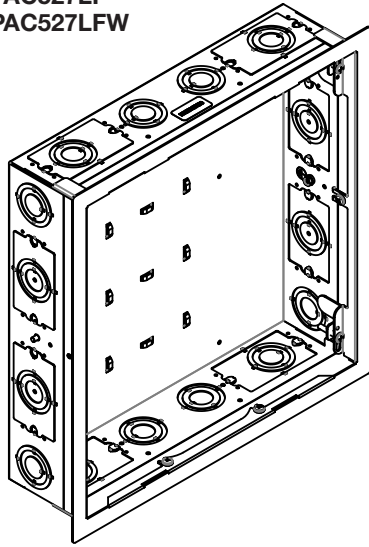


## WMPAC527LF Series Large In-Wall Box Ordering Information

Catalog No./Item

Description / Specifications

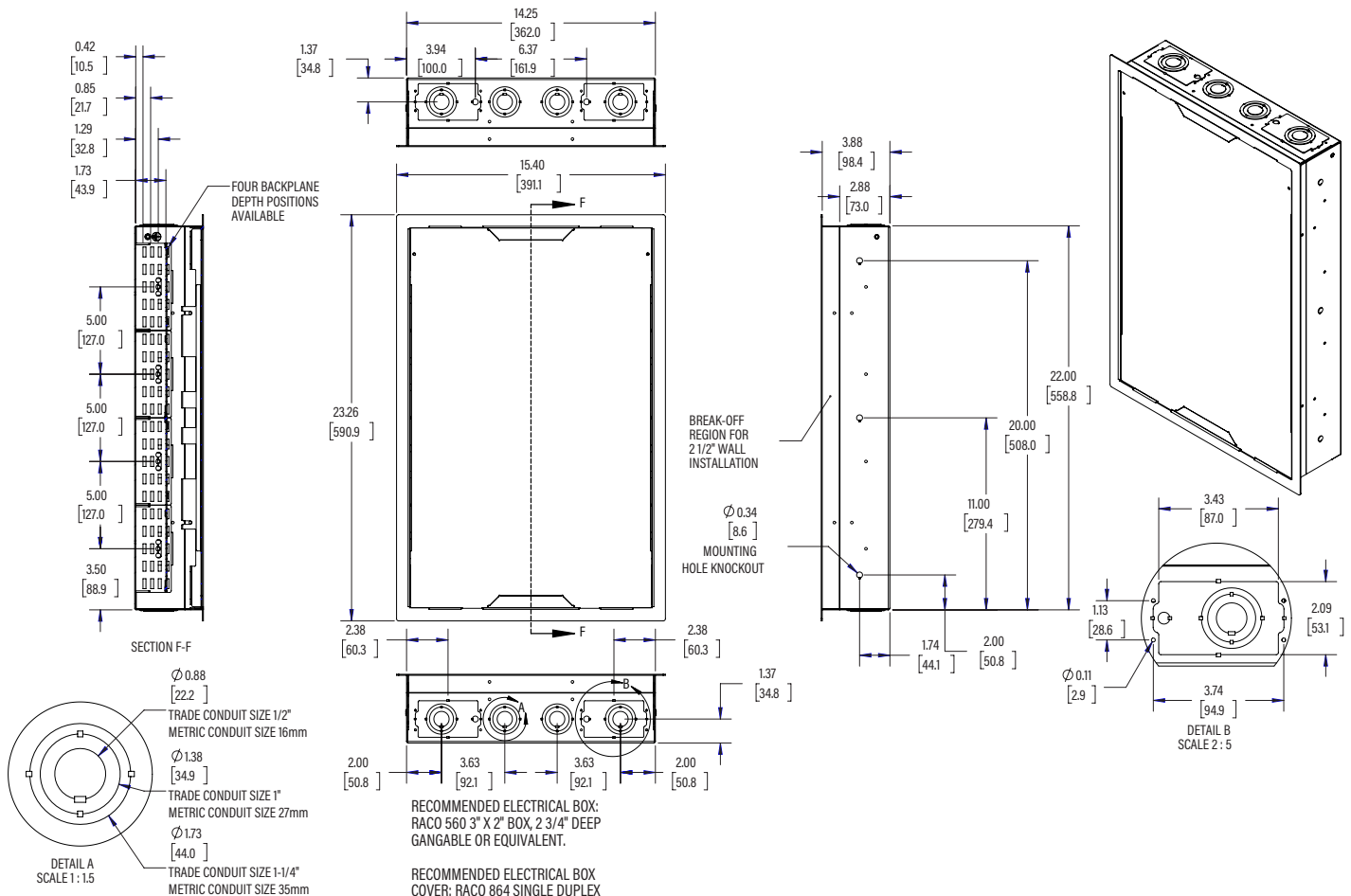
WMPAC527LF  
WMPAC527LFW



**Large In-Wall Box with Flange** – Designed to be mounted to a 2" x 4" [51mm x 102mm] wood stud wall 16" on center, a 2" x 4" -25ga (minimum) steel studs, or to a minimum 1/2" thickness drywall surface. The box has a total of four (4) 1-gang knockout locations for mounting AC outlets and eight (8) trade size conduit knockouts for additional cabling needs. The breakaway edges allow the box's depth to be easily changed in the field for 3.5" or 2.5" stud bays. This configuration includes a paintable flange in either black or white (W).

**Country of Origin: China**

## WMPAC527LF/LFW Series Large In-Wall Box Dimensions: 14.25" x 22"

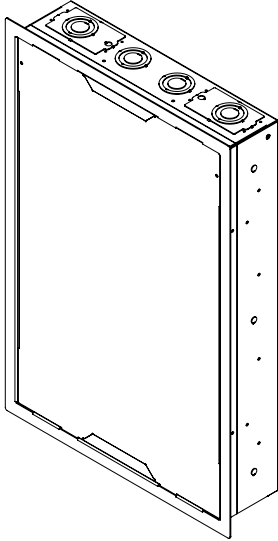


## WMPAC527LFC Series Large In-Wall Box Ordering Information

Catalog No./Item

Description / Specifications

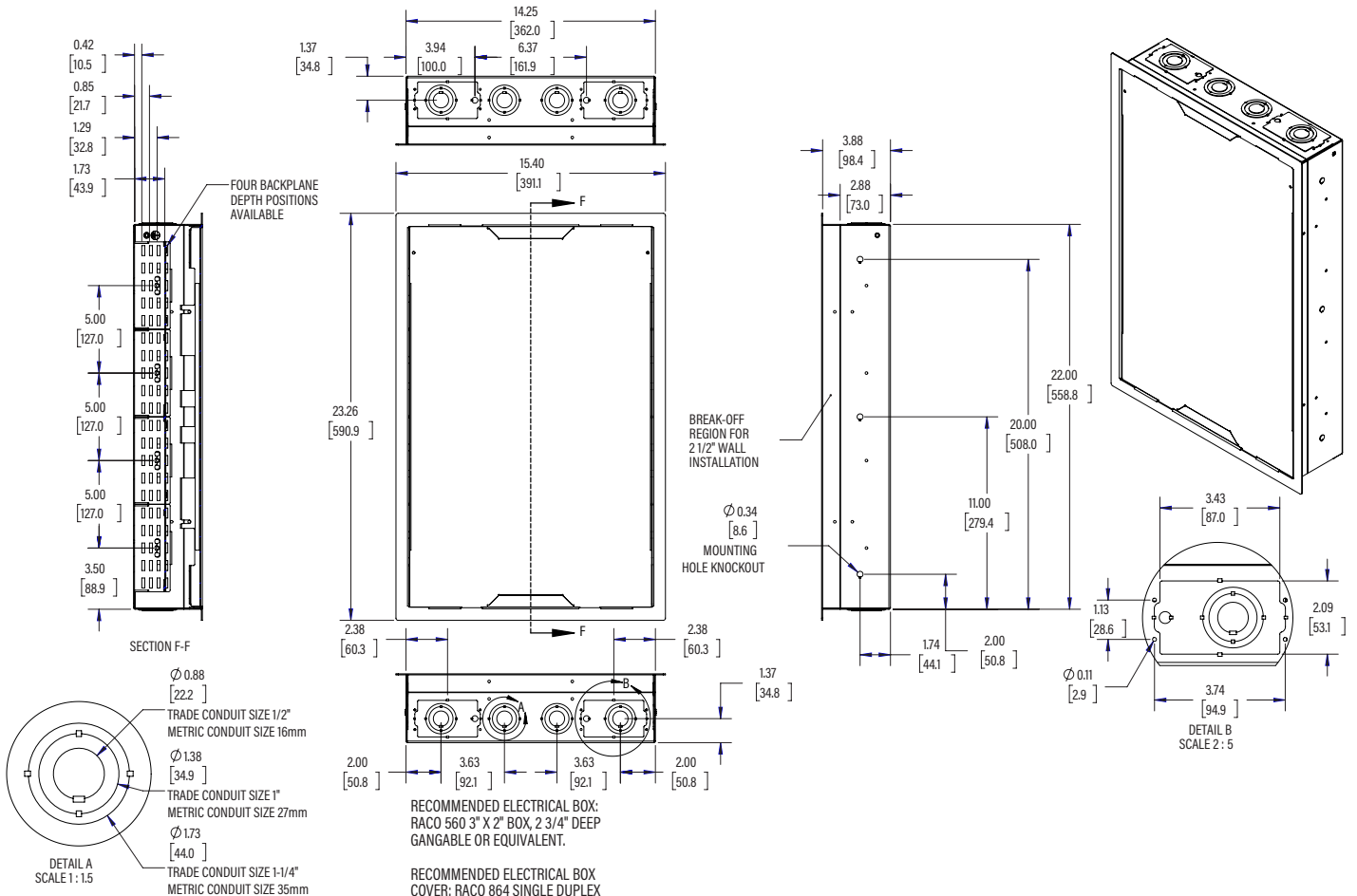
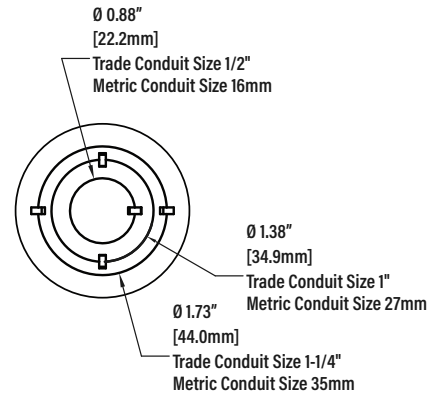
**WMPAC527LFC**  
**WMPAC527LFCW**



**Large In-Wall Box with Flange and Cover** – Designed to be mounted to a 2" x 4" [51mm x 102mm] wood stud wall 16" on center, a 2" x 4" -25ga (minimum) steel studs, or to a minimum 1/2" thickness drywall surface. The box has a total of eight (8) 1-gang knockout locations for mounting AC outlets and sixteen (16) trade size conduit knockouts for additional cabling needs. The breakaway edges allow the box's depth to be easily changed in the field for 3.5" or 2.5" stud bays. This configuration includes a paintable flange and cover in either black or white (W).

Country of Origin: China

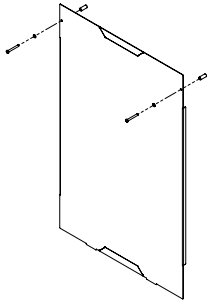
## WMPAC527FC/FCW Series Large In-Wall Box Dimensions: 14.25" x 22"



**WMPAC527 Series Wall Box Accessories Ordering Information**

Catalog No./Item	Description / Specifications
------------------	------------------------------

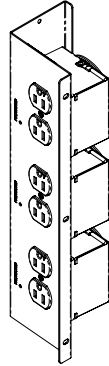
**WMPAC527CVR-KIT**  
**WMPAC527CVRWKIT**



**Cover Kit for WMPAC527** – This product is available in either black or white (W).

**Country of Origin: USA**

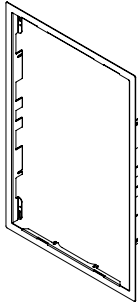
**WMPAC527P6-KIT**



**6-Plug In-Wall Power Kit for WMPAC527**

**Country of Origin: USA**

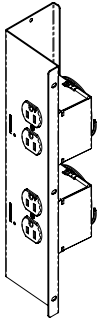
**WMPAC527F-KIT**  
**WMPAC527FW-KIT**



**Flange Kit for WMPAC527** – This product is available in either black or white (W).

**Country of Origin: USA**

**WMPAC527P4-KIT**



**4-Plug In-Wall Power Kit for WMPAC527**

**Country of Origin: USA**



**Electrical Wiring Systems**

60 Woodlawn Street  
West Hartford, CT 06110  
1-877-295-3472  
[www.legrand.us](http://www.legrand.us)

**Canada**

1-844-977-3783  
[www.legrand.ca](http://www.legrand.ca)