

Wallplates  
**Weatherproof Covers for Flanged Devices**  
**for Flanged Inlets and Flanged Receptacles**

# HUBBELL

**Features**

- Gray thermoplastic, corrosion resistant
- Weatherproof Plate for Flanged Inlets and Flanged Receptacles

**Ordering Information**

| Description   | Catalog Number | UPC          |
|---|----------------|--------------|
| For all 4 & 5 Wire 20A & 30A Insulgrip® Flanged Units | WP2            | 783585392288 |

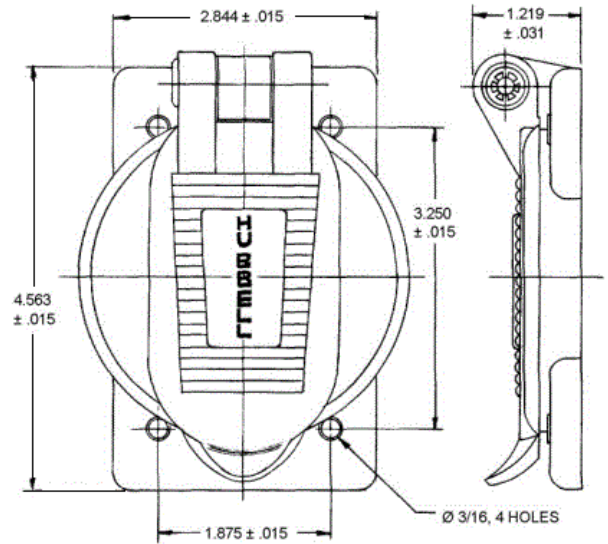


**Listings**

UL Listed  
 CSA Certified

**Specifications**

|           |                 |
|-----------|-----------------|
| Material  | RTP             |
| Gasket    | Neoprene        |
| Spring    | Stainless steel |
| Hinge Pin | Stainless steel |



**Online Resources**

Customer Use Drawing  
 eCatalog  
 Installation Instructions

Dimensions in Inches (mm)

Hubbell Wiring Device-Kellems • Hubbell Incorporated (Delaware) • 40 Waterview Drive • Shelton, CT 06484

Phone (800) 288-6000 • Fax (800) 255-1031 • Specifications subject to change without notice.

