



# XFIT



## KT-WPLED20-S1-8CSB-VDIM

### SMALL NON-CUTOFF LED WALL PACK

#### DESCRIPTION

Small 20W Non-Cutoff LED Wall Pack | 120–277V Input |  
3000–5000K | Low Profile Housing | Bronze Finish | Impact Resistant  
Lens

#### APPLICATION

Building mount for exterior illumination (entryways, pathways,  
stairwells, security, and other general site lighting requirements)



**5 YEAR**  
WARRANTY



#### PRODUCT FEATURES

- Keystone Color Select technology (3000/4000/5000K)
- Small non-cutoff design can be mounted virtually anywhere, offering uniform vertical and horizontal distribution pattern for general safety and security illumination needs
- Heavy duty die cast aluminum housing with (3) 1/2" threaded conduit hubs: (1) on back and (1) on each side
- Powered by Keystone 0–10V dimming LED drivers, dimmable to 10%
- Built-in dusk-to-dawn photocell behind translucent 1/2" threaded plug with anti-yellowing agent
- ADA Compliant with low-profile housing less than 4" deep
- Impact-resistant and highly diffused polycarbonate lens with anti-yellowing agent offers reduced glare for low mounting height applications
- Ambient operating temperature: –40°C/–40°F to 45°C/113°F
- UL Certified for wet locations; IP65 rated
- Fixture impact rating IK07
- Power Factor: >0.95
- THD: <20%
- LED chip lifetime: L70 >100,000 hrs @ 25°C/77°F ambient fixture temp
- Meets FCC Part 15, Part B, Class A standards for conducted and radiated emissions

#### PRODUCT SPECIFICATIONS

Catalog Number	Wattage	Lumens	Lumens Below 90°	Dimming	CCT*	Efficacy	CRI	Housing Color	Input Voltage	Rated Life	Legacy Equivalent
KT-WPLED20-S1-8CSB-VDIM	20W	2600	2340	0–10V	3000K	130 lm/W	>80	Bronze	120–277V	50,000 hrs	50–70W MH
		2700	2430		4000K	135 lm/W					
		2500	2330		5000K	125 lm/W					

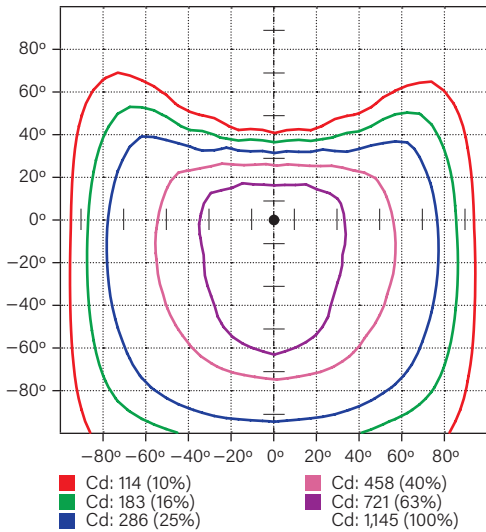
\* Color Uniformity: CCT (Correlated Color Temperature) range as per guidelines outlined in ANSI C78.377-2017

# KT-WPLED20-S1-8CSB-VDIM

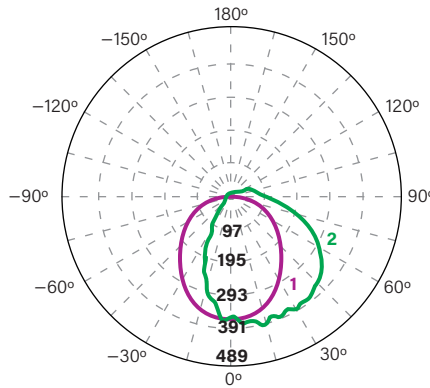
## SMALL NON-CUTOFF LED WALL PACK

### PHOTOMETRIC SPECIFICATIONS

#### ISOCANDELA PLOT



#### LUMINOUS INTENSITY DISTRIBUTION



Average diffuse angle (50%): **100°**

**1 Violet** C0 - C180  
**2 Green** C90 - C270  
Unit: cd

#### FLUX DISTRIBUTION

Zone	Lumens	% Luminaire
<b>Forward Light</b>	1,653 lm	64.0%
0°-30°	379 lm	14.7%
30°-60°	758 lm	29.4%
60°-80°	400 lm	15.5%
80°-90°	116 lm	4.5%
<b>Back Light</b>	667 lm	25.8%
0°-30°	264 lm	10.2%
30°-60°	283 lm	11.0%
60°-80°	97 lm	3.8%
80°-90°	23 lm	0.9%
<b>Up Light</b>	261 lm	10.1%
90°-100°	92 lm	3.5%
100°-180°	170 lm	6.6%

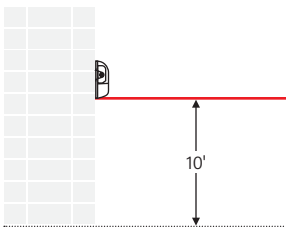
#### BUG\* Rating

Asymmetrical Luminaire Types	
Type I, II, III, IV	B1 U3 G1
Quadrilateral Symmetrical Luminaire Types	
Type V, Area Light	B1 U3 G1

\* Backlight, Uplight, Glare

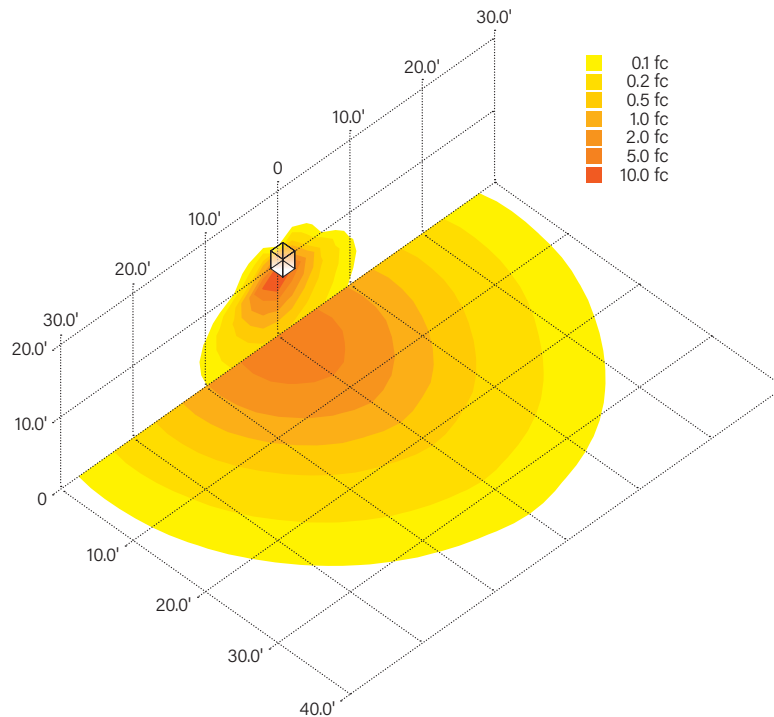
#### MOUNTING

Side view



#### LIGHT DISTRIBUTION PATTERN

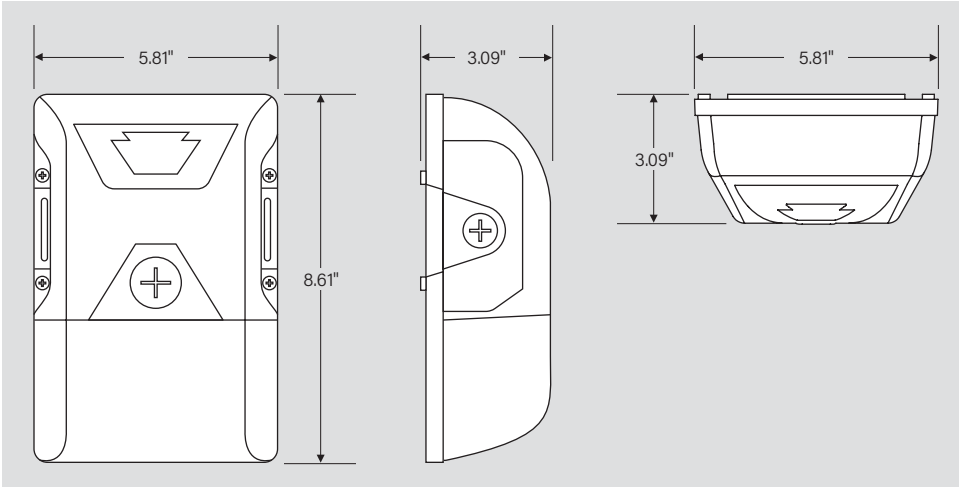
Isometric view from above; Luminaire mounted at 10'



# KT-WPLED20-S1-8CSB-VDIM

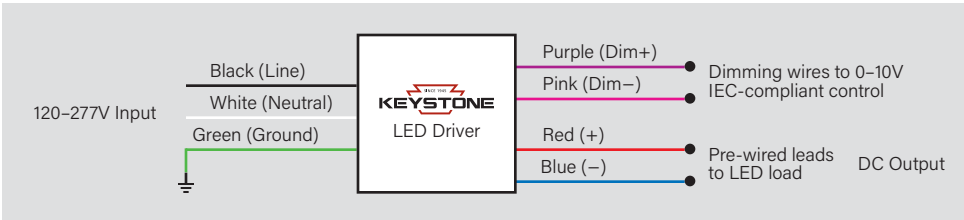
## SMALL NON-CUTOFF LED WALL PACK

### PHYSICAL SPECIFICATIONS



### GENERAL SETUP INSTRUCTIONS

#### GENERAL WIRING DIAGRAM



**Caution:** Before installing, make certain that AC power to the fixture is off.

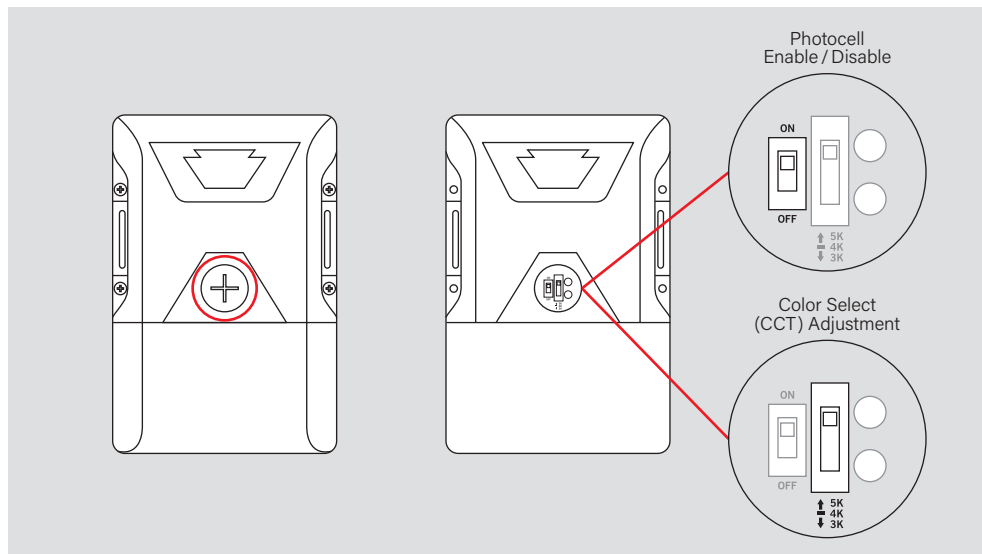
**Caution:** The electrical rating of this product is 120-277V. Installer must confirm that there is 120-277V at the fixture before installation.

#### PHOTOCELL ENABLE / DISABLE

This fixture is equipped with a dusk-to-dawn photocell behind the translucent knock-out (KO) cover. Adjust the dip switch to enable (ON) or disable (OFF) the photocell function (see illustrations to the right). Fixture comes preset with photocell enabled unless otherwise noted.

#### COLOR SELECT (CCT) ADJUSTMENT

Certain fixture models are equipped with Color Select technology. There is an adjustable dip switch behind the translucent knock-out (KO) cover to change CCT between 5000K, 4000K, and 3000K (see illustrations to the right). Fixture comes preset at 5000K unless otherwise noted.





# KT-WPLED20-S1-8CSB-VDIM

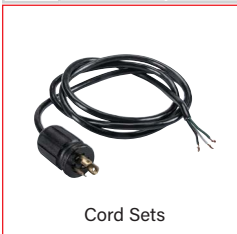
## SMALL NON-CUTOFF LED WALL PACK

### ACCESSORIES

#### CORD SETS

**Factory-Installable OR Field-Installable** (field-installable purchased separately)

P	SUFFIX*	CATALOG NUMBER	DESCRIPTION	UPC	EASY CODE
	/515P6	KT-CS-515P-6-18/3	Cord set for high bay; 125V NEMA 5-15P; straight blade plug; 6' SJTOW cable; 18/3 wire	843654140124	UKH-26
	/L515P6	KT-CS-L515P-6-16/3	Cord set for high bays; 250V NEMA L5-15P; twist lock plug; 6' SJTOW cable; 16/3 wire	843654140186	POC-82



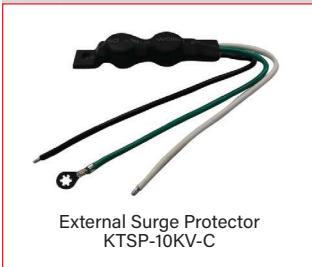
Cord Sets

*\* For factory installation of accessory, add suffix to fixture part number (see ordering examples and instructions on last page of spec sheet).  
**Note:** For cord sets not listed here, please contact your Keystone sales rep.*

#### SURGE PROTECTORS

**Field-Installable / Field-Use ONLY** (purchased separately)

P	CATALOG NUMBER	DESCRIPTION	UPC	EASY CODE
	KTSP-10KV-C	External Surge Protector, compact design. Parallel Wiring, 120-277V Input, Max Peak Protection (10KV, 10KA)	843654129204	BUU-26



External Surge Protector  
KTSP-10KV-C

*\* For factory installation of accessory, add suffix to fixture part number (see ordering examples and instructions on last page of spec sheet).*



# KT-WPLED20-S1-8CSB-VDIM

## SMALL NON-CUTOFF LED WALL PACK

### ORDERING INFORMATION

CATALOG NUMBER	PACK QTY.	UPC	EASY CODE	DLC PRODUCT ID
KT-WPLED20-S1-8CSB-VDIM	1	843654129112	XWA-37	PI7SCMGD

### CATALOG NUMBER BREAKDOWN

# KT-WPLED20-S1-8CSB-VDIM

1	2	3	4	5	6	7	8	9	10
<b>1 Keystone Technologies</b>	<b>2 Fixture Type</b>	<b>3 LED Lamp</b>	<b>4 Max Wattage</b>	<b>5 Size</b>	<b>6 Style</b>	<b>7 80 CRI</b>	<b>8 Color Select</b>	<b>9 Color Select Designation</b>	<b>10 Dimming</b>
	WP Wallpack			S Small	1 Non-Cutoff			B 3000/4000/5000K	VDIM 0-10V
						8 >80			

### ORDERING EXAMPLES

FIXTURE WITH SINGLE FACTORY-INSTALLED ACCESSORY

**KT-WPLED20-S1-8CSB-VDIM /515P6**

FIXTURE WITH NO FACTORY-INSTALLED ACCESSORIES

**KT-WPLED20-S1-8CSB-VDIM**

KEYSTONE FIXTURE	
CATALOG NUMBER	
KT-WPLED20-S1-8CSB-VDIM	
CORD SETS	
SUFFIX	CATALOG NUMBER
✓ /515P6	KT-CS-515P-6-18/3

*Note: All accessories can also be ordered separately for field installation using just their regular Catalog Number, UPC, or Easy Code.*