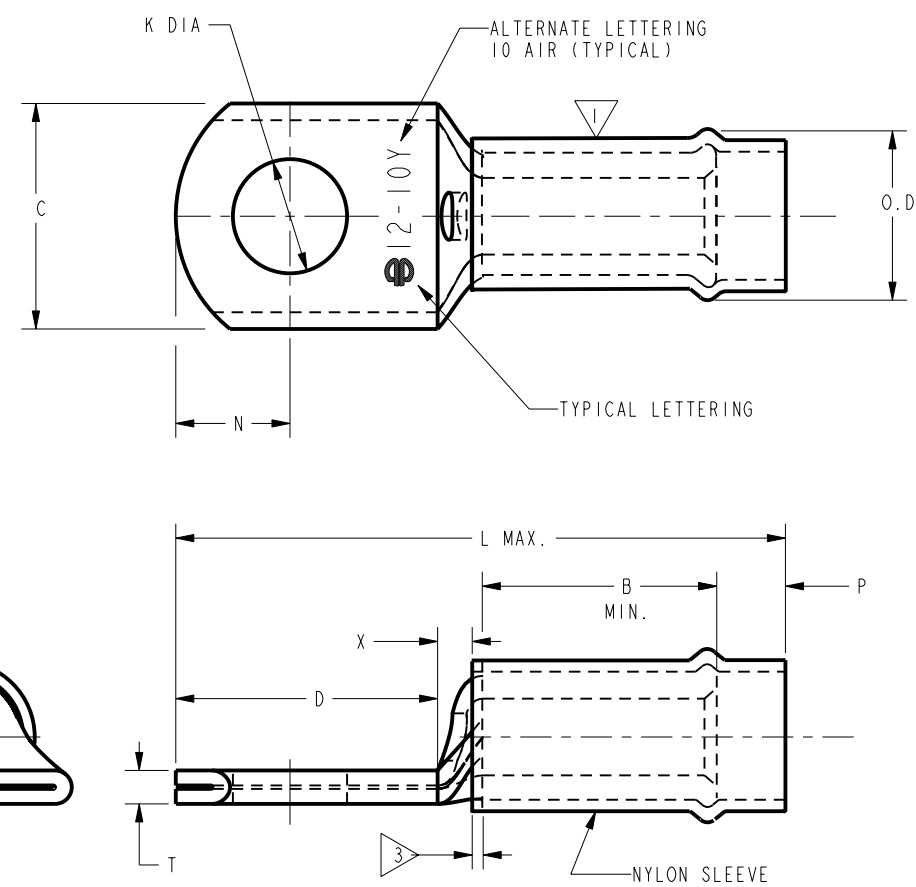


DRAWING NO.  
SC023179-01

COPPER AIR CRAFT CABLE MIL W 5086 ANJ C 48A	MAX OD OVER CABLE	STUD SIZE	CAT. NO	B(MIN)	C±.03		K±.010		L(MAX)	N±.03	OD ±.03	P (MIN)	T±.02	X	D±.03		NYLON SLEEVE COLOR	INSTALL TOOL INDEX NUMBERS	
#12 STR #10 STR	.217	6-8	YAEV10T11	.297	.38	.173	1.16	.19	.295	.09	.044 / .134	.06	.04	.04	.04	.04	YELLOW	311	
		8-10	YAEV10		.38	.198	1.16	.19				.06							.469
		8-10	YAEV10T26		.30	.198	1.11	.16				.07							.422
		1/4	YAEV10T3		.47	.272	1.30	.23				.05							.594
		5/16	YAEV10T2		.53	.331	1.36	.27				.04							.624
		3/8	YAEV10T4		.56	.393	1.38	.28				.04							.672
		8-10	YAEV10L36		.30	.198	1.07	.16				.07							.360
		10mm	YAEV10T38		.56	.413	1.38	.28				.04							.672
4-6	YAEV10T7	.30	.147	1.12	.16	.07	.422												

REV	DATE	DESCRIPTION	ECO	BY	C'H'K.
C	10/25/2012	UPDATED DRAWING AS PER MARKUPS	29165	PM	MB



- 1 THE INSULATION SLEEVE, BEFORE & AFTER CRIMPING WITH AN M8ND TOOL & NIOET9 DIE SET, SHALL WITH STAND AN AXIAL FORCE OF 8 LBS AND SHALL NOT MOVE MORE THAN .03.
- 2 THESE ITEMS HAVE SERRATIONS ON THE TONGUE.
- 3 NYLON SLEEVE MUST EXTEND BEYOND BARREL END AS SHOWN, OR BE FLUSH.
- 4. MATERIAL : CONNECTOR- COPPER TUBING  
INSULATION-NYLON.
- 5. FINISH: CONNECTOR- TIN PLATED, NYLON-COLOR CODED.

SUPERSEDES: SC91682-0, SD23179-8, SA39920-0

TO ORDER BURNDY® PRODUCTS CALL  
 UNITED STATES:  
 1-800-346-4175 (LONDONDERRY, NH)  
 CANADA:  
 1-800-361-6975 (QUEBEC)  
 1-800-387-6487 (ALL OTHER PROVINCES)  
 FOR PRODUCT INFO: <http://www.burndy.com>

INSULUGS	
ITEM NO: ----	
CAT. NO: YAEV10-__ (TABLE)	
DRAWN BY: G.SCANLON 10/18/57	
CHECKER: ST 10/22/57	
DSN APPVL: --	
MFG APPVL: --	
QA APPVL: --	
MKT APPVL: --	
PROD FAM: CM&R COMPRESSION	DRAWING NO
PROJECT #: --	SIZE
DOCUMENT TYPE: Sales	SC023179-01
REL LEVEL: Released	SHEET 1 OF 1



REV: PE0200

A  
B  
C  
D

A  
B  
C  
D

4 3 2 1